

AV RECEIVER/AV AMPLIFIER RX-SL80

SERVICE MANUAL

IMPORTANT NOTICE

This manual has been provided for the use of authorized YAMAHA Retailers and their service personnel. It has been assumed that basic service procedures inherent to the industry, and more specifically YAMAHA Products, are already known and understood by the users, and have therefore not been restated.

WARNING: Failure to follow appropriate service and safety procedures when servicing this product may result in personal injury, destruction of expensive components, and failure of the product to perform as specified. For these reasons, we advise all YAMAHA product owners that any service required should be performed by an authorized YAMAHA Retailer or the appointed service representative.

IMPORTANT: The presentation or sale of this manual to any individual or firm does not constitute authorization, certification or recognition of any applicable technical capabilities, or establish a principle-agent relationship of any form.

The data provided is believed to be accurate and applicable to the unit(s) indicated on the cover. The research, engineering, and service departments of YAMAHA are continually striving to improve YAMAHA products. Modifications are, therefore, inevitable and specifications are subject to change without notice or obligation to retrofit. Should any discrepancy appear to exist, please contact the distributor's Service Division.

WARNING: Static discharges can destroy expensive components. Discharge any static electricity your body may have accumulated by grounding yourself to the ground buss in the unit (heavy gauge black wires connect to this buss).

IMPORTANT: Turn the unit OFF during disassembly and part replacement. Recheck all work before you apply power to the unit.

■ CONTENTS

TO SERVICE PERSONNEL	2	AMP ADJUSTMENT / アンプ部調整	34
IMPEDANCE SELECTOR	3	DISPLAY DATA	35
FRONT PANELS	4	IC DATA	36~42
REAR PANELS	5~6	BLOCK DIAGRAM	43~44
REMOTE CONTROL PANELS	6	PIN CONNECTION DIAGRAM	45
SPECIFICATIONS / 参考仕様	7~10	PRINTED CIRCUIT BOARD	46~57
INTERNAL VIEW	10	SCHEMATIC DIAGRAM	58~64
DISASSEMBLY PROCEDURES / 分解手順	11~13	PARTS LIST	65~79
SELF DIAGNOSIS FUNCTION (DIAG) / 自己診断機能 (ダイアグ)	14~33	REMOTE CONTROL	80~81
D-AMP MODULE TROUBLESHOOTING / D-アンプモジュールの故障診断	33		



このサービスマニュアルは、エコマーク認定の再生紙を使用しています。
This Service Manual uses recycled paper.



■ TO SERVICE PERSONNEL

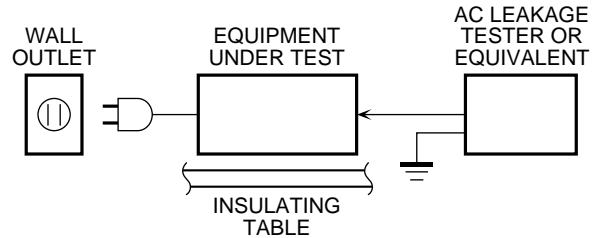
1. Critical Components Information

Components having special characteristics are marked \triangle and must be replaced with parts having specifications equal to those originally installed.

2. Leakage Current Measurement (For 120V Models Only)

When service has been completed, it is imperative to verify that all exposed conductive surfaces are properly insulated from supply circuits.

- Meter impedance should be equivalent to 1500 ohm shunted by 0.15 μ F.



- Leakage current must not exceed 0.5mA.
- Be sure to test for leakage with the AC plug in both polarities.



“CAUTION”

“F1: FOR CONTINUED PROTECTION AGAINST RISK OF FIRE, REPLACE ONLY WITH SAME TYPE 5A, 125V FUSE.”

CAUTION

F1: REPLACE WITH SAME TYPE 5A, 125V FUSE.

ATTENTION

F1: UTILISER UN FUSIBLE DE RECHANGE DE MEME TYPE DE 5A, 125V.

WARNING: CHEMICAL CONTENT NOTICE!

The solder used in the production of this product contains LEAD. In addition, other electrical/electronic and/or plastic (where applicable) components may also contain traces of chemicals found by the California Health and Welfare Agency (and possibly other entities) to cause cancer and/or birth defects or other reproductive harm.

DO NOT PLACE SOLDER, ELECTRICAL/ELECTRONIC OR PLASTIC COMPONENTS IN YOUR MOUTH FOR ANY REASON WHATSOEVER!

Avoid prolonged, unprotected contact between solder and your skin! When soldering, do not inhale solder fumes or expose eyes to solder/flux vapor!

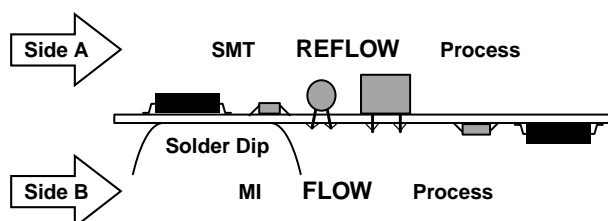
If you come in contact with solder or components located inside the enclosure of this product, wash your hands before handling food.

About Lead Free Solder / 無鉛ハンダについて

The P.C.B.s installed in this unit are soldered using the following solder.

本機に搭載されている基板のハンダ付けに使用されているハンダは下記の通りです。

	Side A / A面	Side B / B面
DIGITAL P.C.B.	Lead Free Solder / 無鉛ハンダ	Lead Free Solder / 無鉛ハンダ
INPUT P.C.B.	—	Lead Free Solder / 無鉛ハンダ
MAIN P.C.B.	Lead Free Solder / 無鉛ハンダ	Lead Free Solder / 無鉛ハンダ
POWER P.C.B.	—	Lead Free Solder / 無鉛ハンダ



Among some types of lead free solder currently available, it is recommended to use one of the following types for the repair work.

- Sn + Ag + Cu (tin + silver + copper)
- Sn + Cu (tin + copper)
- Sn + Zn + Bi (tin + zinc + bismuth)

無鉛ハンダにはいくつかの種類がありますが、修理時には下記のような無鉛ハンダの使用を推奨します。

- Sn+Ag+Cu(錫+銀+銅)
- Sn+Cu(錫+銅)
- Sn+Zn+Bi(錫+亜鉛+ビスマス)

Caution:

1. As the melting point temperature of the lead free solder is about 30°C to 40°C (50°F to 70°F) higher than that of the lead solder, be sure to use a soldering iron suitable to each solder.
2. If lead solder must be used, be sure to remove lead free solder from each terminal section of the parts to be replaced and from the area around it completely before soldering, or make sure that the lead free solder and lead solder melt together fully.

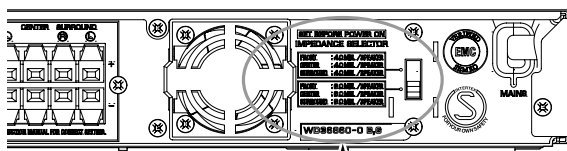
注意:

無鉛ハンダの融点温度は通常の鉛入りハンダに比べ30～40程度高くなっていますので、それぞれのハンダに合ったハンダごてをご使用ください。

鉛入りハンダを使わざるを得ない場合は、あらかじめ交換する部品端子部やその周辺部の無鉛ハンダをすべて取り除くか、あるいは無鉛ハンダと鉛入りハンダが十分に溶けた状態となるようにハンダ付けしてください。

■ IMPEDANCE SELECTOR

(B, G models only)



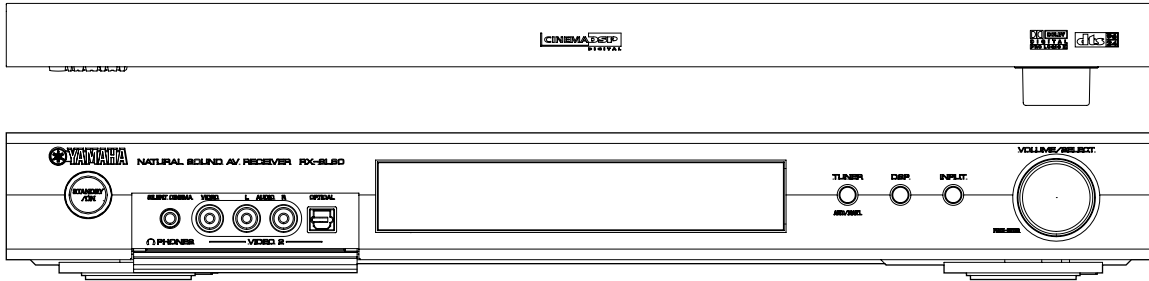
IMPEDANCE SELECTOR

WARNING:

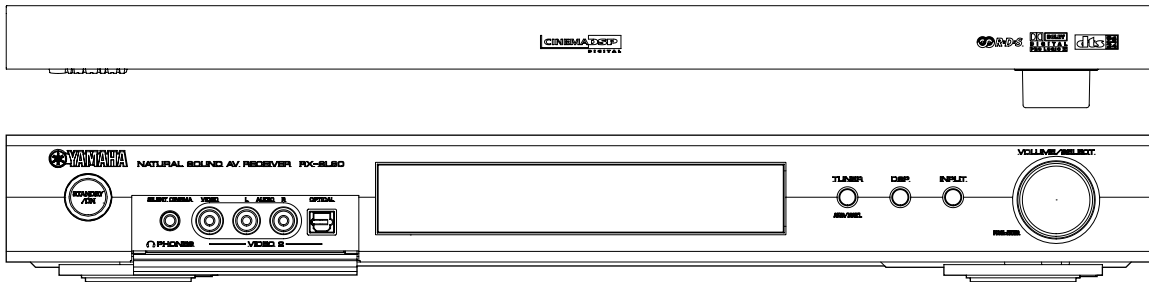
Do not change the IMPEDANCE SELECTOR switch setting while the power to this unit is on, otherwise this unit may be damaged.

FRONT PANELS

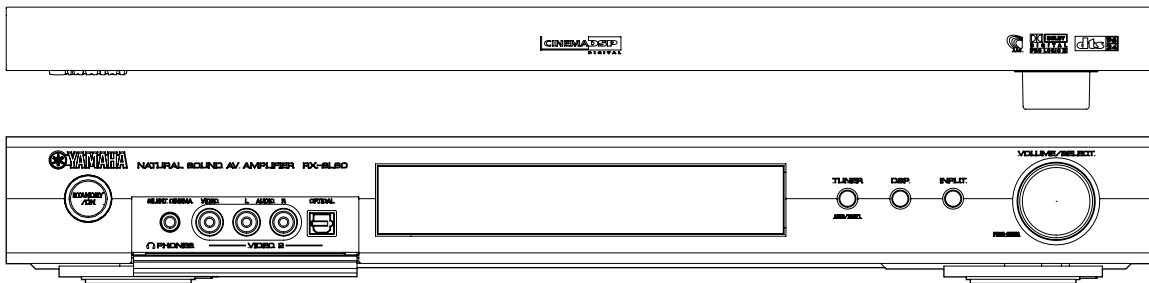
RX-SL80 (U, C, R, T, K, A, L models)



RX-SL80 (B, G models)

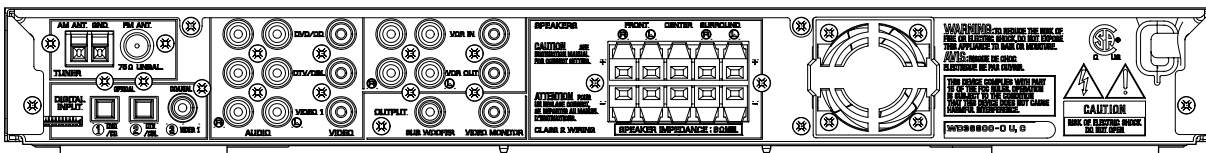


RX-SL80 (J model)

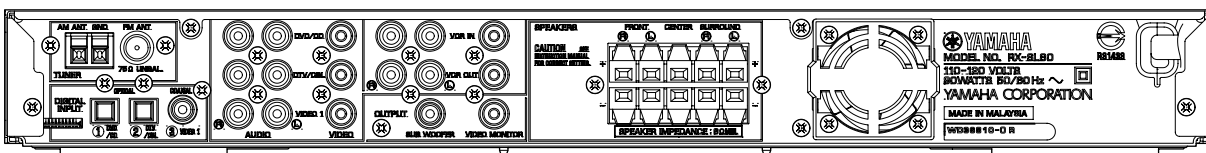


REAR PANELS

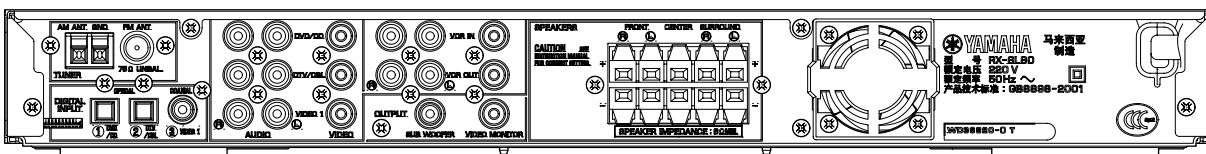
RX-SL80 (U, C models)



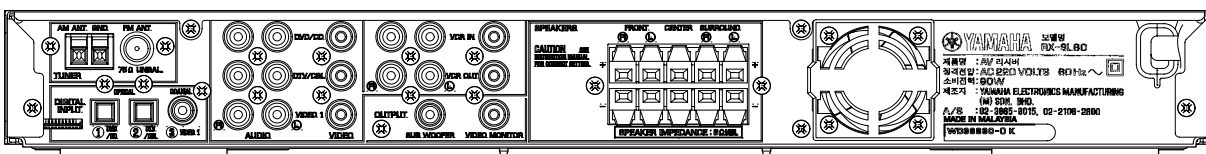
RX-SL80 (R model)



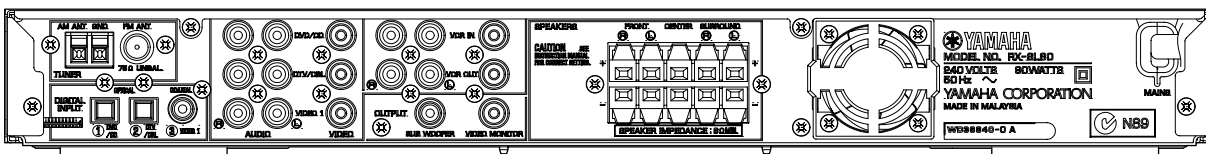
RX-SL80 (T model)



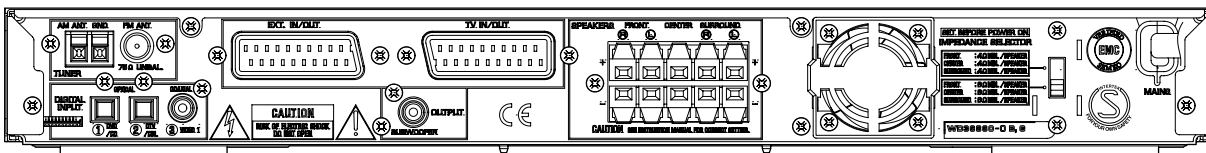
RX-SL80 (K model)



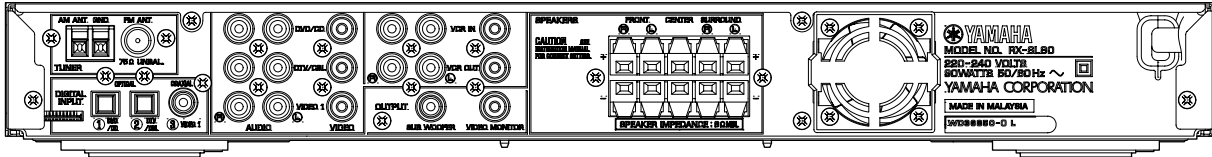
RX-SL80 (A model)



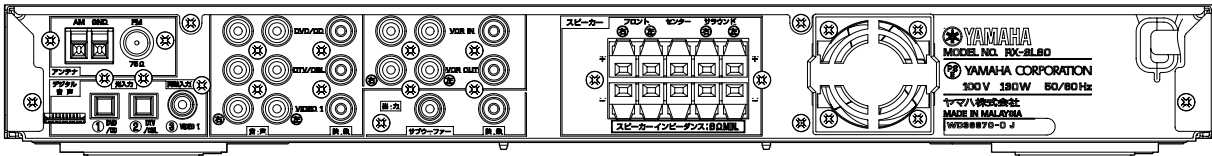
RX-SL80(B, G models)



RX-SL80 (L model)



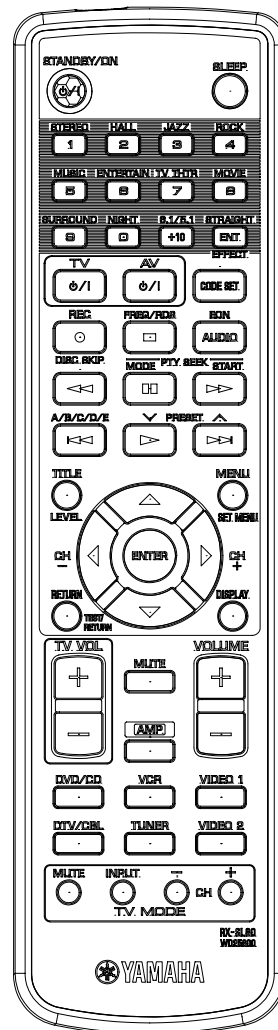
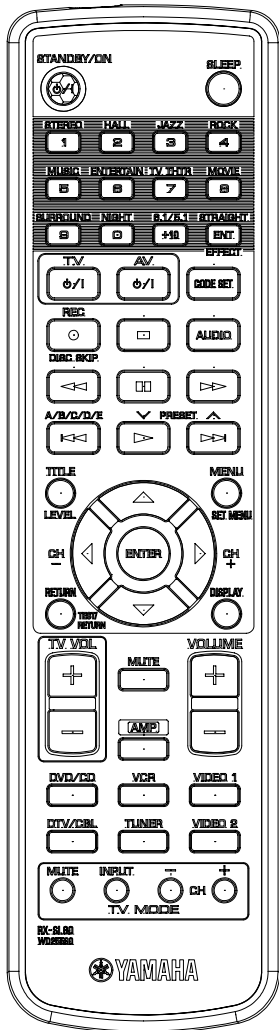
RX-SL80 (J model)



REMOTE CONTROL PANELS

U, C, R, T, K, A, L, J models

B, G models



■ SPECIFICATIONS / 参考仕様

■ Audio Section / オーディオ部

Minimum RMS Output Power (Power Amp. Section) /

定格出力 (パワーアンプ部)

(1 kHz)

FRONT L/R

U, C models (0.9% THD, 6 ohms) (FTC) 65W + 65W

R, T, K, A, B, G, L, J models (0.9% THD, 6 ohms) ... 70W + 70W

CENTER

U, C models (0.9% THD, 6 ohms) (FTC) 65W

R, T, K, A, B, G, L, J models (0.9% THD, 6 ohms) 70W

SURROUND L/R

U, C models (0.9% THD, 6 ohms) (FTC) 65W + 65W

R, T, K, A, B, G, L, J models (0.9% THD, 6 ohms) ... 70W + 70W

Maximum Power / 実用最大出力 (EIAJ, 1kHz, 10% THD)

FRONT L or R

R, T, K, A, B, G, L, J models (6 ohms) 100W

CENTER

R, T, K, A, B, G, L, J models (6 ohms) 100W

SURROUND L or R

R, T, K, A, B, G, L, J models (6 ohms) 100W

Input Sensitivity / Input Impedance (入力感度/入力インピー

ダンス)

(U, C, R, T, K, A, L, J models)

DVD/CD, etc. 200 mV / 47 k-ohms

(B, G models)

VIDEO 2, EXT. IN, TV IN 200 mV / 47 k-ohms

Maximum Input Signal Level / 最大許容入力 (1 kHz, 0.5%

THD)

(U, C, R, T, K, A, L, J models)

DVD/CD, etc. 2.0 V or more

(B, G models)

VIDEO 2, EXT. IN, TV IN 2.0 V or more

Output Level / Output Impedance (出力電圧/出力インピー

ダンス)

VCR OUT (U, C, R, T, K, A, L, J models) 200 mV / 820 ohms

EXT., TV (B, G models) 200 mV / 1.0 k-ohms

SUB WOOFER (FRONT SP: Small) 2.0 V / 1.2 k-ohms

Headphone Jack Rated Output / Impedance (ヘッドフォ

ン出力/出力インピーダンス)

DVD/CD, etc. (1 kHz, 47 mV, 8 ohms) ... 100 mV / 100 ohms

Frequency Response / 周波数特性

DVD/CD, etc. to FRONT L/R (20 Hz to 50 kHz) ... +0/-3.0 dB

Total Harmonic Distortion / 全高調波歪率 (1 kHz, 35W, 6

ohms)

(U, C, R, T, K, A, L, J models)

DVD/CD, etc. (Effect Off) to FRONT L/R ... 0.04 % or less

(B, G models)

EXT. IN (Effect Off) to FRONT L/R 0.04 % or less

Signal to Noise Ratio / 信号対雑音比 (IHF-A network)

(U, C, R, T, K, A, L, J models)

DVD/CD, etc. (Input shorted, 250 mV, Effect Off) to SP

OUT 100 dB or more

(B, G models)

EXT. IN (Input shorted, 250 mV, Effect Off) to SP OUT

..... 100 dB or more

Residual Noise / 残留ノイズ (IHF-A network)

FRONT L/R 150 μ V or less

Channel Separation / チャンネルセパレーション

(Vol -14 dB, Effect Off)

DVD/CD, etc. (Input 5.1 k-ohms shorted, 1 kHz/10 kHz)

..... 60 dB or more/45 dB or more

Tone Control Characteristics / トーンコントロール特性

BASS

Boost/Cut \pm 10 dB (60Hz)

TREBLE

Boost/Cut \pm 10 dB (20kHz)

Filter Characteristics / フィルター特性

FRONT, CENTER, SURROUND : SMALL (H.P.F.)

..... 40/ 60/ 80/ 90/ 100/ 110/ 120/ 160/ 200 Hz, 12 dB / oct.

SUBWOOFER (L.P.F.)

..... 40/ 60/ 80/ 90/ 100/ 110/ 120/ 160/ 200 Hz, 24 dB / oct.

■ Video Section / ビデオ部

Video Signal Type / ビデオ信号方式

U, C, R, K, J models NTSC

T, A, B, G, L models PAL

Video Signal Level / ビデオ信号

..... 1 Vp-p / 75 ohms

Maximum Input Level / 最大許容入力

..... 1.5 Vp-p or more

Signal to Noise Ratio / 信号対雑音比

..... 50 dB or more

Monitor Out Frequency Response / モニターアウト周波

数帯域

Video Signal Level 5 Hz to 10 MHz, -3 dB

■ FM Section / FM部

Tuning Range

U, C models 87.5 to 107.9 MHz

T, K, A, B, G models 87.50 to 108.00 MHz

R, L models 87.5 to 108.0 / 87.50 to 108.00 MHz

J model 76.0 to 90.0 MHz

50dB Quieting Sensitivity / 50dB SN感度 (IHF)

(1kHz, 100% Mod.)

Mono 2.8 μ V (20.2 dBf)

Signal to Noise Ratio / 信号対雑音比 (IHF)

Mono / Stereo 73 dB / 70 dB

Harmonic Distortion / 歪率

(1 kHz)

Mono / Stereo 0.5 % / 0.5 %

Antenna Input / アンテナ入力

..... 75 ohms unbalanced

■ AM Section / AM部

Tuning Range / 受信周波数範囲

U, C models 530 to 1,710 kHz

T, K, A, B, G, J models 531 to 1,611 kHz

R, L models 530 to 1,710 / 531 to 1,611 kHz

Antenna / アンテナ入力

..... Loop Antenna

■ General / 総合

Power Supply / 電源電圧

U, C models	AC 120 V, 60 Hz
R model	AC 110 – 120 V, 50/60 Hz
T model	AC 220 V, 50 Hz
K model	AC 220 V, 60 Hz
A model	AC 240 V, 50 Hz
B, G models	AC 230 V, 50 Hz
L model	AC 220 – 240 V, 50/60 Hz
J model	AC 100V, 50/60 Hz

Power Consumption / 消費電力

U, C models	90 W
R, T, K, A, B, G, L models	90 W
J model	130 W

Standby Power Consumption (reference data) / 待機時

消費電力(参考値)

U, C, R, J models	0.8 W
T, K, A, L models	0.9 W
B, G models (Scart Off/On)	0.9 W / 2.5 W

Dimensions / 寸法 (W x H x D)

..... 435 x 55.5 x 325 mm (17-1/8" x 2-3/16" x 12-13/16")

Weight / 質量

..... 6.4 kg (14 lbs. 2 oz.)

Finish / 仕上げ

..... Silver color

Accessories / 付属品

Remote Control x 1, Battery (Manganese Dry) x 2, Indoor FM Antenna x 1, AM Loop Antenna x 1, Cable Tag x 5 pairs


* Specifications are subject to change without notice due to product improvements.

参考仕様および外観は予告なく変更されることがあります。

U	U.S.A. model	A	Australian model
C	Canadian model	B	British model
R	General model	G	European model
T	Chinese model	L	Singapore model
K	Korean model	J	Japanese model



Manufactured under license from Dolby Laboratories.
 "Dolby", "Pro Logic" and the double-D symbol are trademarks of Dolby Laboratories.

ドルビーラボラトリーズからの実施権に基づき製造されています。ドルビー、DOLBY、ドルビーデジタル、PRO LOGICおよびダブルD記号は、ドルビーラボラトリーズの商標です。



"SILENT CINEMA" is a trademark of YAMAHA CORPORATION.


「サイレントシネマ / SILENT CINEMA」はヤマハ株式会社の登録商標です。



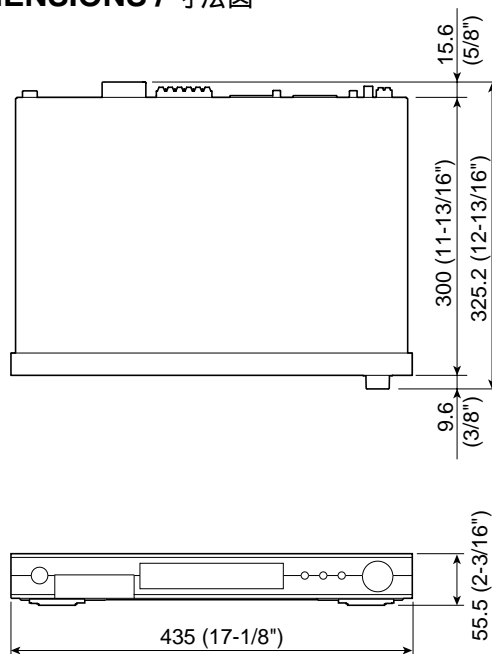
"DTS" and "DTS 96/24" are trademarks of Digital Theater Systems, Inc.

DTS、DTS 96/24はデジタルシアターシステムズの登録商標です。



AACロゴマークはドルビーラボラトリーズの商標です。

DIMENSIONS / 寸法図



Unit : mm (inch)
 単位: mm (インチ)

• Set Menu Table / セットメニュー

Category	No.	MAIN MENU	SUB MENU	SELECT MENU	VALUE [INITIAL]	
BASIC SET UP				ROOM: S>M L	S, [M], L	
				SUBWOOFER YES	[YES], NONE	
				SPEAKERS 5 spk	2, 3, 4, [5]	
				>SET CANCEL	[SET], CANCEL	
				Check: Test Tone		
				Check OK? YES	[YES], No	
MANUAL SET UP	1	SOUND	A SPEAKER SET	CENTER SML	LRG, [SML], NON	
				FRONT LARGE	[LARGE], SMELL	
				SUR. LR SML	LRG, [SML], NON	
				BASS OUT BOTH	[BOTH], FRNT, SWFR	
				CROSS OVER 80 Hz	40, 60, [80], 90, 100, 110, 120, 160, 200	
				SUBWOOFER PHASE NORMAL	[NORMAL], REVERSE	
			B SP LEVEL	FR L ----- ----- R	[Center] ± 10 step	
				C L ----- ----- R	[Center] ± 10 step	
				SL L ----- ----- R	[Center] ± 10 step	
				SR L ----- ----- R	[Center] ± 10 step	
				SWFR SWFR -----	-20 to 0 dB, 1dB step	
			C SP DISTANCE	UNIT meters (R, T, K, A, B, G, L, J models) feet (U, C models)	meters (m) feet (ft)	
				FRONT L 3.0 m 10.0 ft	0.3 to 24 m, [3.0 m], 0.1m step 1.0 to 80.0 feet, [10.0 feet], 0.5 feet step	
				FRONT R 3.0 m 10.0 ft	0.3 to 24 m, [3.0 m], 0.1m step 1.0 to 80.0 feet, [10.0 feet], 0.5 feet step	
				CENTER 3.0 m 10.0 ft	0.3 to 24 m, [3.0 m], 0.1m step 1.0 to 80.0 feet, [10.0 feet], 0.5 feet step	
				SUR L 3.0 m 10.0 ft	0.3 to 24 m, [3.0 m], 0.1m step 1.0 to 80.0 feet, [10.0 feet], 0.5 feet step	
				SUR R 3.0 m 10.0 ft	0.3 to 24 m, [3.0 m], 0.1m step 1.0 to 80.0 feet, [10.0 feet], 0.5 feet step	
				SWFR 3.0 m 10.0 ft	0.3 to 24 m, [3.0 m], 0.1m step 1.0 to 80.0 feet, [10.0 feet], 0.5 feet step	
				D CENTER GEQ	TEST OFF	[OFF]/ON
					100 Hz - - 0	-6 dB to +6 dB, [0 dB], 1 dB step
					300 Hz - - 0	-6 dB to +6 dB, [0 dB], 1 dB step
					1 kHz - - 0	-6 dB to +6 dB, [0 dB], 1 dB step
			3 kHz - - 0		-6 dB to +6 dB, [0 dB], 1 dB step	
			10 kHz - - 0		-6 dB to +6 dB, [0 dB], 1 dB step	
			E LFE LEVEL	SP LFE ... 0 dB	-20 dB to 0 dB, [0 dB], 1 dB step	
				HP LFE ... 0 dB	-20 dB to 0 dB, [0 dB], 1 dB step	
			F D. RANGE	SP D. R > MAX	MIN, STD, [MAX]	
				HP D. R > MAX	MIN, STD, [MAX]	
			G AUDIO SET	A. MUTE MUTE	[MUTE], -20 dB	
				A. DELAY 0 ms	0 to 160 ms, [0 ms], 1 step	
				DUAL MONO MAIN	[MAIN], SUB, ALL (J model only)	
			2 INPUT	A INPUT ASSIGN	IN (1) DVD/CD	VIDEO1, VCR, DTV/CBL, [DVD/CD]
					IN (2) DTV/CBL	VIDEO1, VCR, [DTV/CBL], DVD/CD
					IN (3) VIDEO1	[VIDEO1], VCR, DTV/CBL, DVD/CD
			B INPUT MODE	SET AUTO	[AUTO], LAST, FIX	
			3 OPTION	A DISPLAY SET	DIMMER 0	-4 to [0]/1 step
					MENU SHIFT 0	-5 to +5, [0], 1 step
				B MEMORY GUARD	MEM. GUARD OFF	[OFF], ON
				C PARAM. INI		1, 2, 3, 4, 5, 6, 7, 8, 9
				D TUNER SET	STEP AM9/FM50	[AM9/FM50], AM10/FM100 (R, L models only)
				D SCART SET	STANDBY ON	[ON], OFF (B, G models only)

• The variable range of the parameter (Min/Max/Step) / パラメーターの可変範囲 (最小/最大/ステップ)

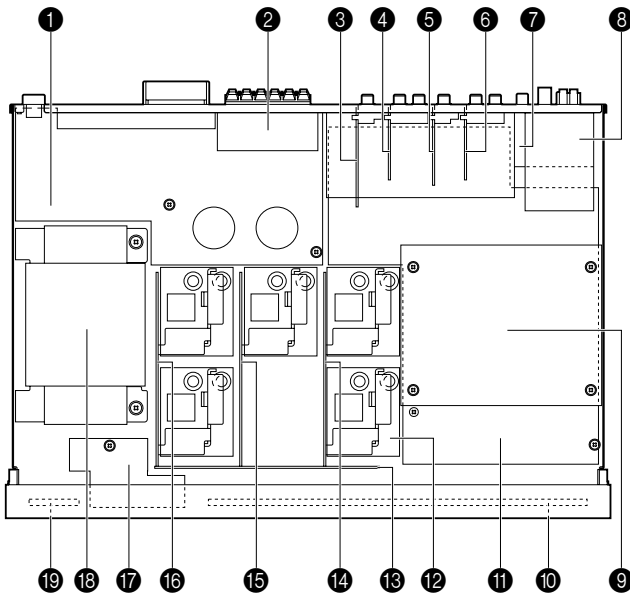
		Unit
DSP LEVEL	-6 / +3 / 1	dB
DELAY	1 / 99 / 1	ms

Pro Logic II Music Parameter		Unit
PANORAMA	OFF / ON	
DIMENSIONS	-3 / +3 / 1	
CT WIDTH	0 / 7 / 1	

6 ch Stereo Parameter		Unit
CT LEVEL	0 / 100 / 1	%
SL LEVEL	0 / 100 / 1	%
SR LEVEL	0 / 100 / 1	%

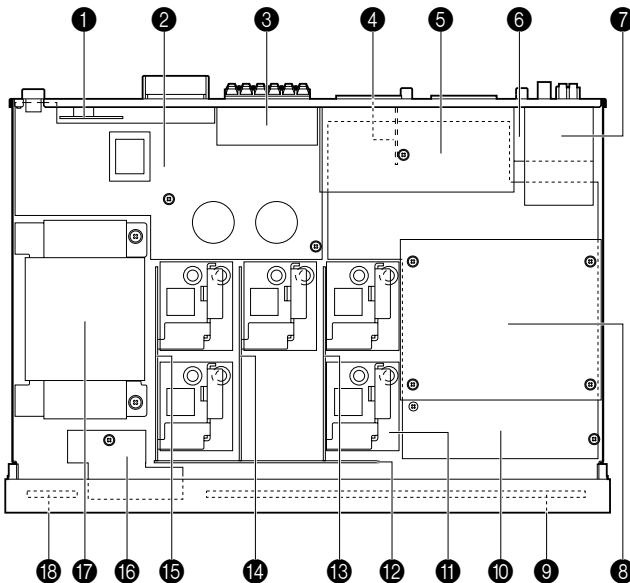
INTERNAL VIEW

U, C, R, T, K, A, L, J models



- ① POWER (1) P.C.B.
- ② POWER (3) P.C.B.
- ③ POWER (11) P.C.B.
- ④ POWER (8) P.C.B.
- ⑤ POWER (10) P.C.B.
- ⑥ POWER (7) P.C.B.
- ⑦ INPUT (2) P.C.B.
- ⑧ AM / FM TUNER
- ⑨ DIGITAL P.C.B.
- ⑩ POWER (4) P.C.B.
- ⑪ INPUT (1) P.C.B.
- ⑫ D-AMP MODULE
- ⑬ MAIN (4) P.C.B.
- ⑭ MAIN (3) P.C.B.
- ⑮ MAIN (2) P.C.B.
- ⑯ MAIN (1) P.C.B.
- ⑰ POWER (5) P.C.B.
- ⑱ POWER TRANSFORMER
- ⑲ POWER (6) P.C.B.

B, G models



- ① POWER (2) P.C.B.
- ② POWER (1) P.C.B.
- ③ POWER (3) P.C.B.
- ④ POWER (9) P.C.B.
- ⑤ POWER (12) P.C.B.
- ⑥ INPUT (2) P.C.B.
- ⑦ AM / FM TUNER
- ⑧ DIGITAL P.C.B.
- ⑨ POWER (4) P.C.B.
- ⑩ INPUT (1) P.C.B.
- ⑪ D-AMP MODULE
- ⑫ MAIN (4) P.C.B.
- ⑬ MAIN (3) P.C.B.
- ⑭ MAIN (2) P.C.B.
- ⑮ MAIN (1) P.C.B.
- ⑯ POWER (5) P.C.B.
- ⑰ POWER TRANSFORMER
- ⑱ POWER (6) P.C.B.

■ DISASSEMBLY PROCEDURES / 分解手順

* The description below uses G model as a representative model.

(Remove parts in the order as numbered.)
Disconnect the power cable from the AC outlet.

1. Removal of Top Cover (Fig. 1)

- Remove 2 screws (1) and 4 screws (2).
- Slide the Top Cover rearward to remove it.

2. Removal of DIGITAL P.C.B. (Fig. 1)

- Remove 4 screws (3).
- Remove CB301 ~ CB308.
- Remove the DIGITAL P.C.B. upward.

3. Removal of Front Panel (Fig. 2)

- Remove 2 screw (4) and 5 screws (5).
- Remove CB401 and CB410.
- Remove the Front Panel forward.

4. Removal of MAIN (1) ~ (4) P.C.B.s and D-AMP Modules

- Remove 3 screws (6). (Fig. 4)
- Remove CB71 ~ 73, CB601, CB631, CB661 and CB695. (Fig. 2)
- Remove MAIN (1) ~ (4) and D-AMP Modules leftward. (Fig. 2)

本項目では、代表としてG modelについて記述します。

(番号順に部品を取り外してください。)
AC電源コンセントから、電源コードを抜いてください。

1. トップカバーの外し方 (Fig. 1)

- 1のネジ2本、2のネジ4本を外します。
- トップカバーを後方へスライドさせ、取り外します。

2. DIGITAL P.C.B.の外し方 (Fig. 1)

- 3のネジ4本を外します。
- CB301 ~ CB308を外します。
- DIGITAL P.C.B.を上方に取り外します。

3. フロントパネルの外し方 (Fig. 2)

- 4のネジ2本、5のネジ5本を外します。
- CB401、CB410を外します。
- フロントパネルを前方に外します。

4. MAIN (1) ~ (4) P.C.B.、D-AMP MODULEの外し方

- 6のネジ3本を外します。(Fig. 3)
- CB71 ~ CB73、CB601、CB631、CB661、CB695を外します。(Fig. 2)
- MAIN (1) ~ (4)、D-AMP MODULEを左方向に取り外します。(Fig. 2)

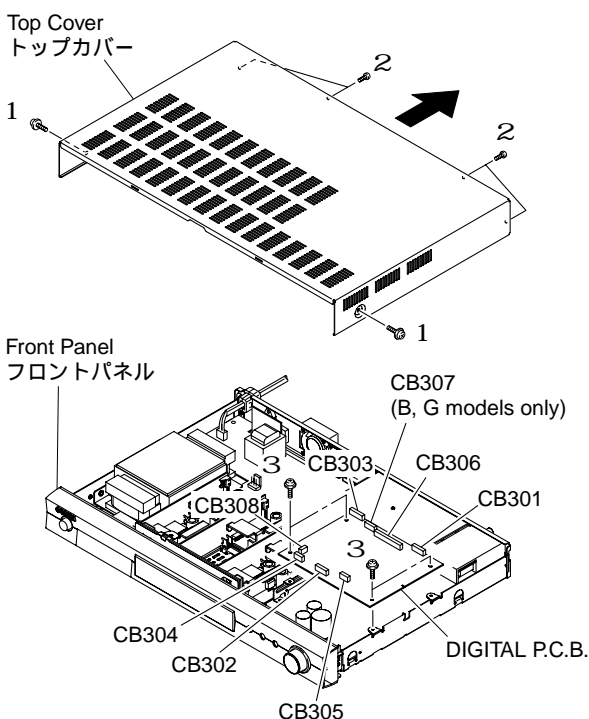


Fig. 1

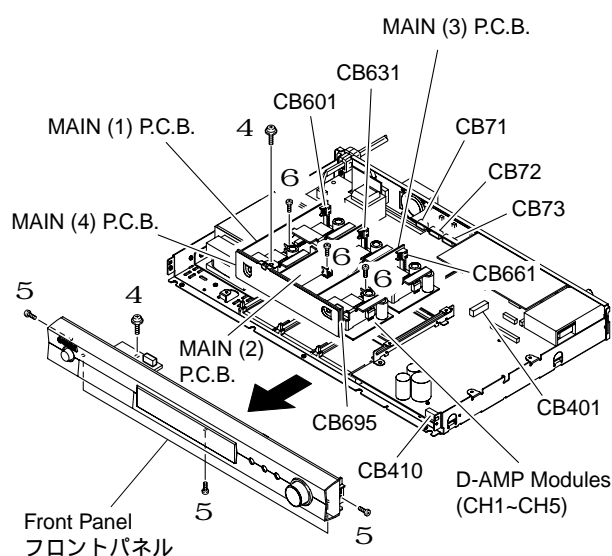


Fig. 2

5. Removal of Rear Panel (Fig. 3)

- Remove 1 screw (7) and 3 screws (8).
- Remove the Rear Panel rearward.
- Remove CB4, CB6, CB10, CB51, CB404 and CB406.

6. Removal of INPUT (1) and POWER (9) P.C.B.s (Fig. 4)

- Remove 2 screws (9) and then remove the Support/PCB.
- Remove 2 screws (O).
- Remove CB413.
- Remove the INPUT (1) and POWER (9) P.C.B.s.

7. Removal of POWER (1) P.C.B. (Fig. 4)

- Remove CB9.
- Remove 3 screws (A).
- Remove the POWER (1) P.C.B..

8. Removal of Power Transformer (Fig. 4)

- Remove 4 screws (B).
- Remove the Power Transformer.

5. リアパネルの外し方 (Fig. 3)

- 7のネジ1本、8のネジ3本を外します。
- リアパネルを後方に外します。
- CB4、CB6、CB10、CB51、CB404、CB406を外します。

6. INPUT (1) P.C.B.、POWER (9) P.C.B.の外し方 (Fig. 4)

- 9のネジ2本を外し、サポート/PCBを取り外します。
- Oのネジ2本を外します。
- CB413を外します。
- INPUT (1) P.C.B.、POWER (9) P.C.B.を外します。

7. POWER (1) P.C.B.の外し方 (Fig. 4)

- CB9を外します。
- Aのネジ3本を外します。
- POWER (1) P.C.B.を外します。

8. 電源トランスの外し方 (Fig. 4)

- Bのネジ4本を外します。
- 電源トランスを外します。

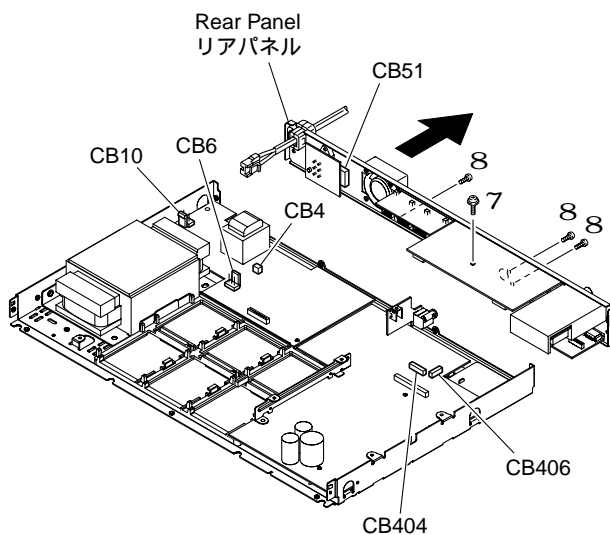


Fig. 3

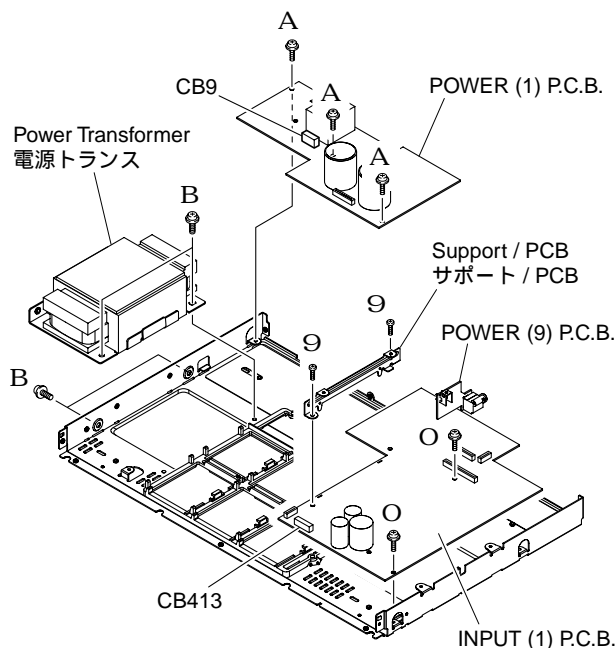


Fig. 4

When checking the P.C.B.:

- Remove the Front Panel, Rear Panel, P.C.B.s, Power Transformer and place all of the upside down for checking. (Fig. 5)
- Reconnect all cables (connectors) that have been disconnected.

Be sure to use the extension cable for servicing for the following section.

DIGITAL P.C.B. CB301 – INPUT (2) P.C.B. CB552:

MFA15400 (15P 400mm)

DIGITAL P.C.B. CB302 – INPUT (1) P.C.B. CB411:

MFA15200 (15P 200mm)

P.C.B.チェックをする場合には

- シャーシからフロントパネル、リアパネル、P.C.B.、電源トランスを取り外し、すべてを裏返しに置いてチェックします。(Fig. 5)
- 外したケーブル(コネクタ)をすべて接続してください。ただし次の区間は、サービス用延長ケーブルを使用してください。

DIGITAL P.C.B. CB301 – INPUT (2) P.C.B. CB552:
MFA15400 (15P 400mm)

DIGITAL P.C.B. CB302 – INPUT (1) P.C.B. CB411:
MFA15200 (15P 200mm)

DIGITAL P.C.B. CB303 – POWER (1) P.C.B. CB5:
MFA18400 (18P 400mm)
DIGITAL P.C.B. CB306 – INPUT (1) P.C.B. CB409:
MFA40400 (40P 400mm)
DIGITAL P.C.B. CB307 – POWER (12) P.C.B. CB303:
MFA15400 (15P 400mm) [B, G models only]

- When connecting the flat cable, use care for the polarity.
- In this unit, each ground of the following P.C.B.s is grounded to the chassis. When any of these P.C.B.s has been removed from the chassis, be sure to reconnect its ground to the chassis with a jumper wire or the like.
 1. POWER (1) P.C.B.:
G1 (near the sub-transformer)
 2. POWER (5) P.C.B.:
G161 (input terminal on the front)
 3. POWER (7), (8), (10), (11) P.C.B.s:
PJ201, PJ221, PJ261, PJ281 (pin jack)
(U, C, R, T, K, A, L, J models)
 4. POWER (12) P.C.B.:
CB302, CB304 (SCART terminal) (B, G models)
 5. INPUT (1) P.C.B.:
G401, G402
 6. DIGITAL P.C.B.:
G1, G2, G3, G4

DIGITAL P.C.B. CB303 – POWER (1) P.C.B. CB5:
MFA18400 (18P 400mm)
DIGITAL P.C.B. CB306 – INPUT (1) P.C.B. CB409:
MFA40400 (40P 400mm)
DIGITAL P.C.B. CB307 – POWER (12) P.C.B. CB303:
MFA15400 (15P 400mm) [B, G models only]

- フラットケーブルを接続する際、極性に注意してください。
- 本機では下記P.C.B.のアースがシャーシに接続されています。これらのP.C.B.をシャーシより取り外した場合は、リード線などでアースをシャーシに接続してください。
 1. POWER (1) P.C.B.:
G1(サブトランス近く)
 2. POWER (5) P.C.B.:
G161(フロント側入力端子)
 3. POWER (7), (8), (10), (11) P.C.B.s:
PJ201, PJ221, PJ261, PJ281(ピンジャック)
(U, C, R, T, K, A, L, J models)
 4. POWER (12) P.C.B.:
CB302, CB304(SCART端子) (B, G models)
 5. INPUT (1) P.C.B.:
G401, G402
 6. DIGITAL P.C.B.:
G1, G2, G3, G4

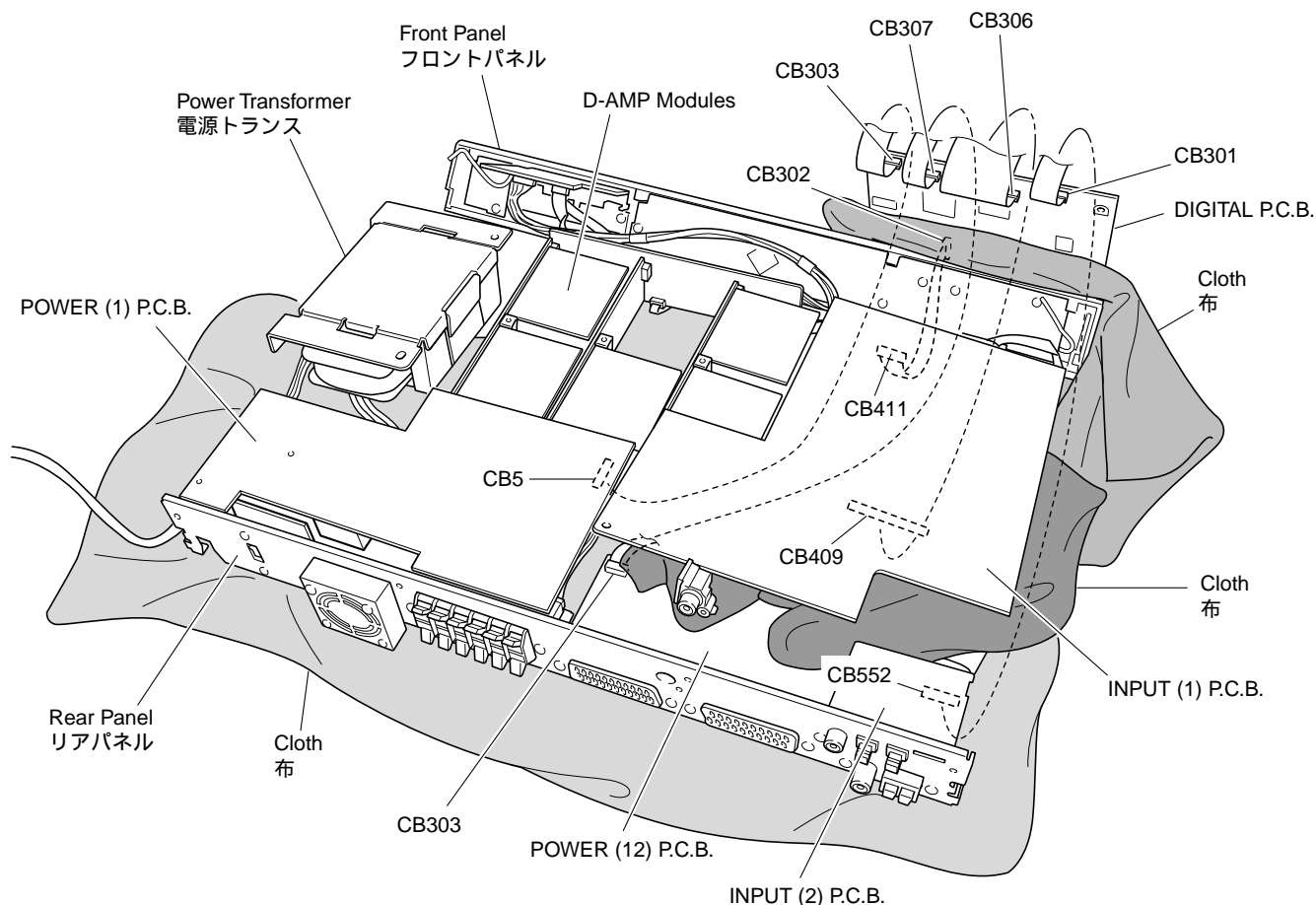


Fig. 5

■ SELF DIAGNOSIS FUNCTION (DIAG) / 自己診断機能(ダイアグ)

There are 15 DIAG menu items, each of which has sub-menu items. Listed in the table below are menu items and sub-menu items.

ダイアグメニューは15個あり、そのそれぞれにサブメニューがあります。下表はメニュー一覧です。

No	DIAG menu	Sub-menu
1	DSP THR	1. YSS MARGIN 2. FULL BIT
2	BYPASS	1. ANALOG BYPASS 2. DSP BYPASS
3	RAM THR	1. RAM MARGIN 2. RAM FULL BIT
4	PRO LOGIC/NEO6	1. Pro Logic I 2. Pro Logic II 3. NEO:6
5	SPEAKERS SET	1. FRONT : SMALL 0dB 2. CENTER : NONE 3. LFE/B : FRNT 4. Pres Mix : 5ch 5. Front GAIN 1 6. Front GAIN 2 7. Tone Con Flat 8. Tone Con +10dB 9. Tone Con -10dB
6	EXT-INPUT (Not applied to this model)	1. 6CH_INPUT_6 2. 6CH_INPUT_8
7	MIC CHECK (Not applied to this model)	1. MIC CHECK -- dB
8	STRAIGHT DISPLAY CHECK	1. STRAIGHT (Initial display / 初期表示) 2. VFD DISP OFF/OSD OFF 3. VFD DISP ALL/OSD Character pattern 4. VFD DIMMER/OSD Character pattern 5. CHECK PATTERN/OSD Character pattern
9	MANUAL TEST	1. TEST ALL 2. TEST FRONT L 3. TEST CENTER 4. TEST FRONT R 5. TEST SURROUND R 6. TEST SURROUND L 7. TEST LFE
10	FACTORY PRESET	1. PRESET INHI (memory initialization inhibited / メモリーの初期化禁止) 2. PRESET RSRV (memory initialized / メモリーの初期化)
11	AD DATA CHECK/FAN TEST	1. PRD/PRV 2. THM/FAN OUT 3. REC OUT (Not applied to this model) 4. IMP SW/POWER LIMITER DISP (Not applied to this model) 5. PANEL KEY
12	FAN TEST	1. HIGH 2. MID 3. LOW
13	IF STATUS	1. INSIDE STATUS 1 (5 Byte) 2. INSIDE STATUS 2 (3 Byte) 3. CHANNEL STATUS 1 (5 Byte)

No	DIAG menu	Sub-menu
		4. CHANNEL STATUS 2 (5 Byte)
		5. CHANNEL STATUS 3 (5 Byte)
		6. CHANNEL STATUS 4 (5 Byte)
		7. CHANNEL STATUS 5 (4 Byte)
		8. BSI 1 (5 Byte)
		9. BSI 2 (5 Byte)
		10. BSI 3 (5 Byte)
		11. BSI 4 (5 Byte)
		12. BSI 5 (5 Byte)
		13. BSI 6 (5 Byte)
		14. BSI 7 (2 Byte)
		15. TI 1 (5 Byte)
		16. TI 2 (1 Byte)
		17. Mute Trigger (5 Byte)
14	DSP RAM CHECK	1. YSS BUS
		2. SD BUS
15	PROTECTION SETTING (Not applied to this model)	1. PS L
		2. PS H
		3. DC L
		4. DC H
		5. FAN_0
		6. FAN_1
		7. FAN_2
		8. FAN_3
		9. FAN_4
		10. FAN_5
		11. TEMP
		12. PL_8_M_L:
		13. PL_8_M_H:
		14. PL_8_N_L:
		15. PL_8_N_H:
		16. PL_6_M_L:
		17. PL_6_M_H:
		18. PL_6_N_L:
		19. PL_6_N_H:
16	SOFT SWITCH CHENGE SW BY EFFECT KEY	1. SW MODE : PCB/SOFT
		2. MODEL : SL80
		3. DEST : J/AT/UC/L/K/GB/none/R
		4. RDS EXIST : EXIST/NOT
		5. ZONE2 EXIST : EXIST/NOT
		6. VIDEO FORMAT : NTSC/PAL
17	ROM VER/SUM/PORT	1. VERSION DISP
		2. SUM ALL/PROGRAM
		3. PORT
		4. AAC PORT

• Starting DIAG

Press the “STANDBY/ON” key while simultaneously pressing the “INPUT” key.

• Starting DIAG in the protection cancel mode

If the protection function works and causes hindrance to trouble diagnosis, cancel the protection function as described below, and it will be possible to enter the DIAG mode. (The protection functions other than the excess current detect function will be disabled.)

Press the “STANDBY/ON” key while simultaneously pressing the “INPUT” key. At this time, keep pressing the “INPUT” key for 3 seconds or longer.

In this mode, the “SLEEP” segment of the FL display of the main unit flashes to indicate that the mode is DIAG mode with the protection functions disabled.

CAUTION!

Using this product with the protection function disabled may cause damage to itself. Use special care for this point when using this mode.

• Canceling DIAG

- 1 Before canceling DIAG, execute setting for PRESET of DIAG menu No.10 (Memory initialization inhibited or Memory initialized).
 - * In order to keep the user memory stored, be sure to select PRESET INHIBITED (Memory initialization inhibited).
- 2 Turn off the power by pressing the “STANDBY/ON” key of the main unit.

ダイアグの起動

“INPUT”キーを押しながら“STANDBY/ON”キーを押すと、ダイアグが起動します。

プロテクション解除モードでの起動

プロテクションが動作することにより、故障箇所の診断に支障をきたすような場合は、次の方法によりプロテクションを解除した状態でダイアグモードに入ることができます。(過電流検出以外のプロテクション動作を解除する)

“INPUT”キーを押しながら“STANDBY/ON”キーを押します。このとき、“INPUT”キーを3秒以上押し続けてください。

このモードでは本体FLの“SLEEP”セグメントが点滅し、プロテクションを解除した状態でのダイアグモードであることを知らせます。

注意!

プロテクションを解除した状態でのダイアグモードは、危険な状態でもプロテクションが作動しないため、動作させると、機器を破壊することがあります。このモードを使用する場合は十分注意してください。

ダイアグの解除

ダイアグを解除する前に、ダイアグメニューNo.10のFACTORY PRESET(メモリーの初期化禁止/またはメモリーの初期化)の設定をします。

ユーザーメモリーを保持したい場合は、必PRESET INHIBITED(メモリー初期化禁止)を選択してください。本体の“STANDBY/ON”キーを押し、パワーオフにします。

• Display provided when DIAG started

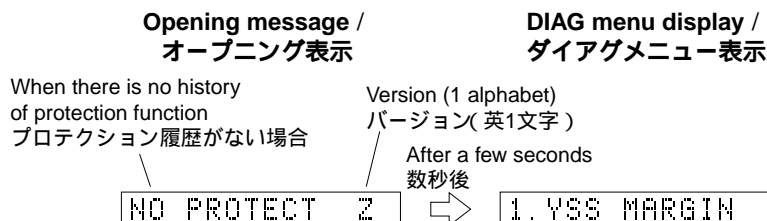
The FL display of the main unit displays the protection function history data and the version (1 alphabet) and the DIAG menu [sub-menu (YSS MARGIN) of DIAG menu No.1 DSP THROUGH] a few seconds later.

ダイアグ起動時の表示

本体のFLディスプレイにプロテクション履歴情報とバージョン(英1文字)が表示され、数秒後にダイアグメニュー(No.1 DSP THROUGHのサブメニュー-YSS MARGIN)になります。

When there is no history of protection function:

プロテクション履歴がない場合:



When there is a history of protection function:

プロテクション履歴がある場合:



Cause: An excessive current flowed through the power amplifier.

原因： パワーアンプに過電流が流れた。

Supplementary information: As current of the power transistor is detected, the abnormal channel can be identified by checking the current detect transistor.

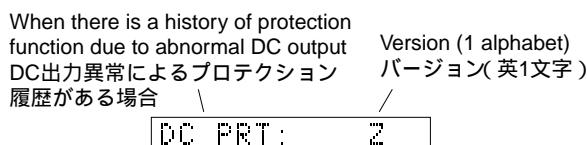
補足： パワートランジスタの電流を検出していますので、電流検出トランジスタをチェックすれば異常チャンネルが特定できます。

Turning on the power without correcting the abnormality will cause the protection function to work immediately and the power supply will instantly be shut off.

異常状態のままパワーオンすると、瞬時にプロテクションがかかり、すぐに電源が切れます。

Note)

- Applying the power to a unit without correcting the abnormality can be dangerous and cause additional circuit damage.
- The output transistors in each amplifier channel should be checked for damage before applying any power.
- Amplifier current should be monitored by measuring across the emitter resistors for each channel.

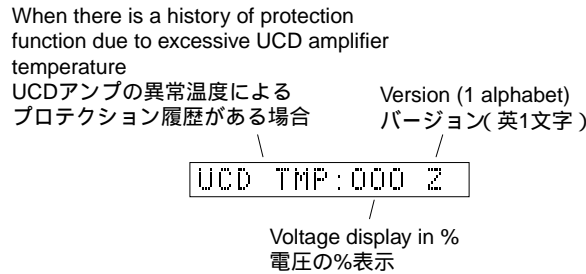


Cause: DC output of the power amplifier is abnormal.

原因： パワーアンプのDC出力が異常。

Turning on the power without correcting the abnormality will cause the protection function to work 3 seconds later and the power supply will be shut off.

異常状態のままパワーオンすると、3秒後にプロテクションがかかり、電源が切れます。



Cause: The temperature of the UCD amplifier is excessive.

Supplementary information: The abnormal voltage is displayed in % based on 5V as 500%.

Turning on the power without correcting the abnormality will cause the protection function to work 1 second later and the power supply will be shut off.

原因： UCDアンプの温度が異常。

補足： 異常時の電圧の状態を、5Vを500%とした値で%表示します。

異常状態のままパワーオンすると、1秒後にプロテクションがかかり、電源が切れます。

TMP PRT:000 C

Cause: Abnormal temperature of radiator

Supplementary Information: The abnormal voltage is displayed in % based on 5V as 500%.

Turning on the power without correcting the abnormality will cause the protection function to work 1 second later and the power supply will be shut off.

原因： 放熱器の温度が異常。

補足： 異常時の電圧の状態を、5Vを500%とした値で表示します。

異常状態のままパワーオンすると、1秒後にプロテクションがかかり、電源が切れます。

- * Additional causes of protection can be due to loose connections, associated components, CPU, etc.
- * For the protection voltage value, refer to DIAG menu No.10 described later.

前記の異常原因の他に、コネクタのはずれやCPU周辺などに原因がある場合があります。

プロテクションの電圧値に関しては、後述のダイアグメニューNo.10を参照してください。

• History of protection function

When the protection function has worked, its history is stored in memory with a backup. Even if no abnormality is noted while servicing the unit, an abnormality which has occurred previously can be defined as long as the backup data has been stored.

The history of the protection function is cleared when DIAG is cancelled by selecting PRESET RESERVED (Memory initialized) of DIAG menu No.10 or when the backup data is erased.

プロテクションの履歴

プロテクションが働いた場合、履歴をバックアップして記憶しています。サービスのときに異常が認められなくても、バックアップが残っていれば、お客様のところで起きた異常を区別できます。

プロテクションの履歴は、ダイアグメニューNo.10で PRESET RESERVED(メモリの初期化)を選んでダイアグを解除した場合や、バックアップが消えたときにはクリアされます。

• Display during menu operation

During the DIAG operation, the function at work is indicated on the FL indicator. The contents displayed during the function operation are described in the later section on details of functions.

メニュー動作中の表示

ダイアグ中、本体のFLディスプレイに動作中の機能が表示されません。機能動作中の表示内容については、後述の機能詳細で記述します。

• Operation procedure of DIAG menu and SUB-MENU

Entering Menu Select Mode

There are 17 MENU items, each of which has some SUB-MENU items.

To select a DIAG MENU item or a SUB-MENU item, press the "TUNER" key to enter the menu select mode. (The "TUNER" segment of the FL display on this unit flashes to indicate that the menu select mode is at work.)

* When about 5 seconds elapse with no menu item selected, the menu select mode is cancelled. (The "TUNER" segment lights up.)

Pressing the "TUNER" key again will restore the menu select mode setting.

Selection of DIAG MENU item or SUB-MENU item

While in the menu select mode, turn the "VOLUME/SELECT" knob. Items advance forward when the knob is turned clockwise and rearward when it is turned counterclockwise.

Switching selection of DIAG MENU item and SUB-MENU item

While in the menu select mode, press the "VOLUME/SELECT" knob. Each pressing changes between the DIAG MENU item selection state and SUB-MENU item selection state alternately.

• Functions in DIAG mode

In addition to the DIAG menu items, functions as listed below are available.

- Input selection
- Center/Rear/Rear Center/Subwoofer level adjustment
- Muting
- Power on/off
- Master volume

* Functions related to the tuner and the set menu are not available.

* It is possible to confirm Menu No.13 IF STATUS while keeping the signal process (operation status) of each DIAG menu by pressing the "INPUT" key twice.

• Initial settings used to start DIAG

The following initial settings are used when starting DIAG. When DIAG is canceled, these settings are restored to those before starting DIAG.

- Master volume: -20dB
- Input: DVD (6CH INPUT OFF)
- Effect level: 0dB
- Audio mute: OFF
- Speaker setting: LARGE / BASS OUT = BOTH
- DIAG menu: DSP THROUGH (1. YSS MARGIN)

ダイアグメニューとサブメニューの操作

メニュー選択モードへの入り方

ダイアグにはNo.1～17のメニューがあり、そのそれぞれにサブメニューがあります。

ダイアグメニューまたはサブメニューを選択するときは、“TUNER”キーを押してメニュー選択モードにします。(本体FLの“TUNER”セグメントが点滅し、メニュー選択モード中であることを知らせます。)

メニュー選択操作が行われずに約5秒経過すると、メニュー選択モードが解除されます。(“TUNER”セグメントが点灯します。)

再び“TUNER”キーを押すと、メニュー選択モードになります。

ダイアグメニューまたはサブメニューの選択

メニュー選択モード中に“VOLUME/SELECT”ツマミを回します。右に回すと順送り、左に回すと逆送りされます。

ダイアグメニュー選択とサブメニュー選択の切り換え

メニュー選択モード中に、“VOLUME/SELECT”ツマミを押します。ダイアグメニューを選択できる状態とサブメニューを選択できる状態が繰り返し切り換わります。

ダイアグ中の機能

ダイアグメニューの他に、以下の機能が動作します。

- インプット切り換え
- センター、リア、リアセンター、サブウーファーレベル調整
- ミューティング
- パワーオン/オフ
- マスターボリューム

チューナー関連、セットメニュー関連は機能しません。

“INPUT”キーを2回押すことにより、各ダイアグメニューの信号処理(動作状態)を維持したままメニューNo.13“IF STATUS”の確認ができます。

ダイアグ開始時の初期設定

ダイアグ開始時に以下のような設定になります。ダイアグ解除時にはダイアグ開始前の状態に戻ります。

- マスターボリューム：-20dB
- インプット：DVD (6CH INPUT オフ)
- エフェクトレベル：0dB
- オーディオミュート：オフ
- スピーカー設定：LARGE / BASS OUT = BOTH
- ダイアグメニュー：DSP THROUGH (1. YSS MARGIN)

• **Details of DIAG menu**

With full-bit output specified in some modes, it is possible to execute 0dBFS output without head margin in each channel.

ダイアグメニュー詳細

一部のモードでフルビット指定することで、各チャンネルのヘッドマージンを廃して0dBFS出力することが可能です。

1. DSP THR

Using the sub-menu, it is possible to select margin output or full-bit output.

1. DSP THR

サブメニューによりMARGIN/Full Bitが選択可能です。

MARGIN (0 dB)

- The signal is output including the head margin.

MARGIN (0dB)

- ヘッドマージンを含んで出力されます。

1. YSS MARGIN

INPUT: DVD ANALOG

Input level	Volume	SPEAKER OUTPUT (1 kHz)			SUBWOOFER (50 Hz)
		FRONT L/R	CENTER	SURROUND L/R	
Both ch, -20 dBm	+6.0 dB	+9.5 dBm	+9.5 dBm	+9.5 dBm	-5.5 dBm

YSS 0dB

This signal is in digital full bit without including the head margin.

FULL BIT

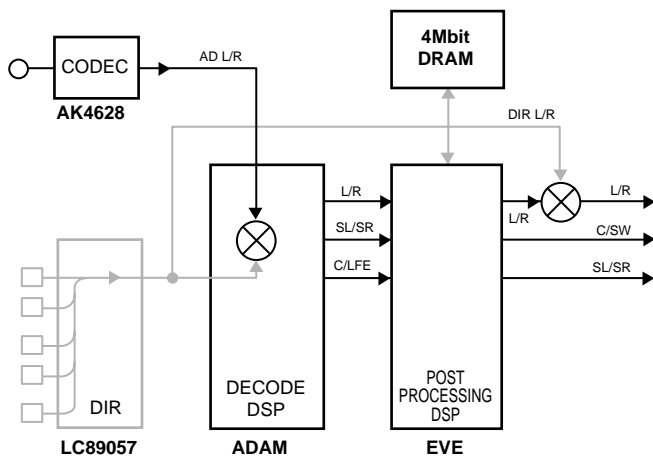
- ヘッドマージンを含まず、デジタルフルビットで出力されます。

1. YSS FULL BIT

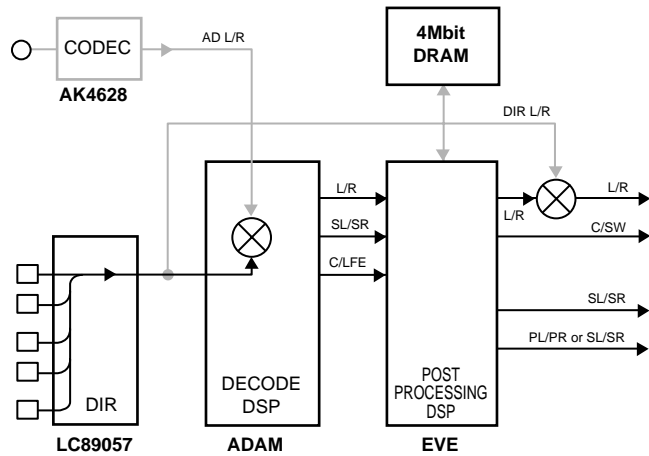
INPUT: DVD ANALOG

Input level	Volume	SPEAKER OUTPUT (1 kHz)			SUBWOOFER (50 Hz)
		FRONT L/R	CENTER	SURROUND L/R	
Both ch, -20 dBm	+6.5 dB	+9.5 dBm	+9.5 dBm	+9.5 dBm	-5.5 dBm

INPUT: ANALOG



INPUT: DD/DTS/AAC



(Shaded items not used in this example)

2. BYPASS

Using the sub-menu, it is possible to select analog bypass output or DSP bypass output.

YSS FULL BIT

- ・サブメニューによりANALOG BYPASS/DSP BYPASSが選択可能です。

ANALOG BYPASS

ANALOG BYPASS

2. ANALOG BYPASS

INPUT: DVD ANALOG

Input level	Volume	SPEAKER OUTPUT (1 kHz)			SUBWOOFER (50 Hz)
		FRONT L/R	CENTER	SURROUND L/R	
Both ch, -20 dBm	+6.0 dB	+9.5 dBm	- ∞	- ∞	- ∞

DSP BYPASS

DSP BYPASS

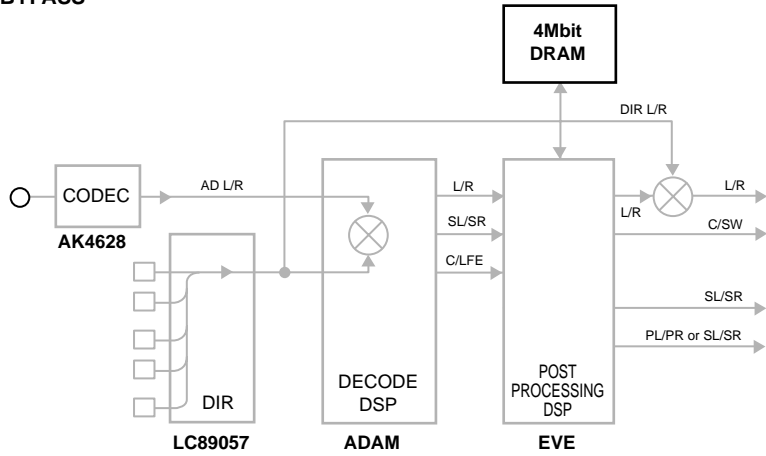
2. DSP BYPASS

INPUT: DVD ANALOG

Input level	Volume	SPEAKER OUTPUT (1 kHz)			SUBWOOFER (50 Hz)
		FRONT L/R	CENTER	SURROUND L/R	
Both ch, -20 dBm	+6.0 dB	- ∞	- ∞	- ∞	- ∞

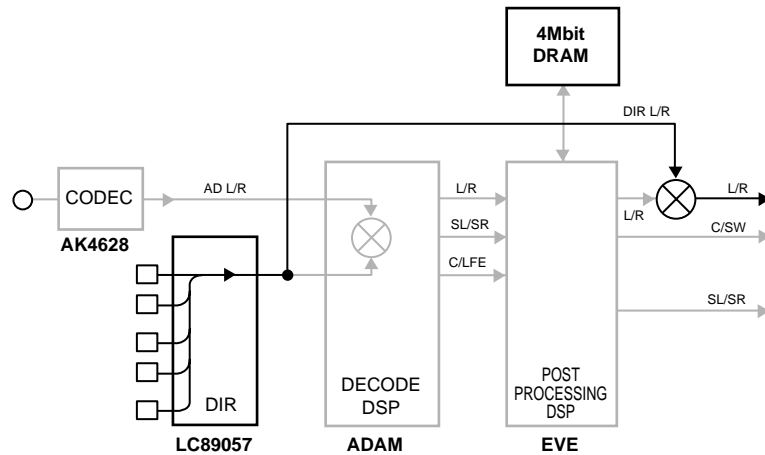
ANALOG BYPASS, DSP BYPASS

INPUT: ANALOG



DSP BYPASS

INPUT: PCM



(Shaded items not used in this example)

3. RAM THROUGH

Using the sub-menu, it is possible to select margin output or full-bit output.

3. RAM THROUGH

- ・サブメニューによりMARGIN/Full Bitが選択可能です。

MARGIN (0 dB)

MARGIN (0 dB)

3. RAM MARGIN

INPUT: DVD ANALOG

Input level	Volume	SPEAKER OUTPUT (1 kHz)			SUBWOOFER (50 Hz)
		FRONT L/R	CENTER	SURROUND L/R	
Both ch, -20 dBm	+6.0 dB	+9.5 dBm	+9.5 dBm	+9.5 dBm	-5.5 dBm

FULL BIT

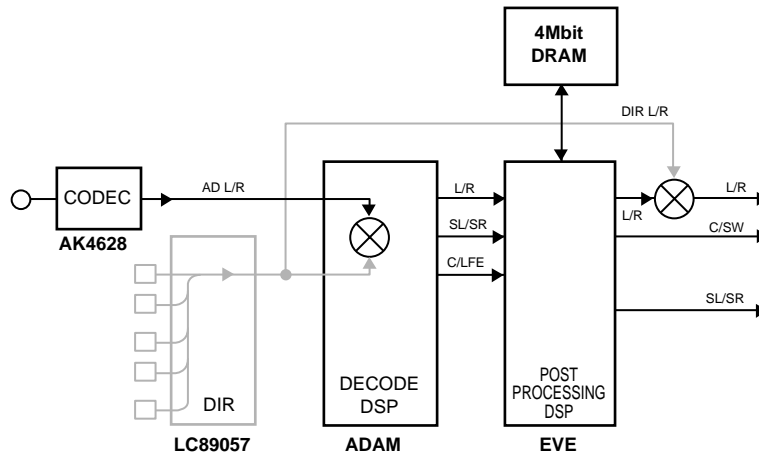
FULL BIT

3. RAM FULL BIT

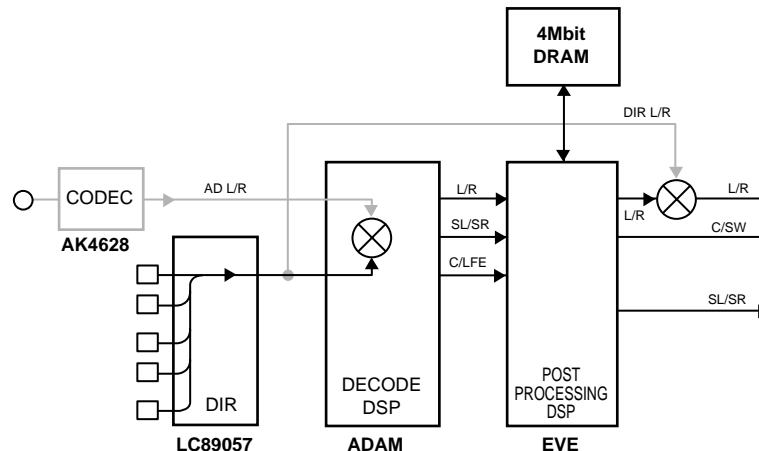
INPUT: DVD ANALOG

Input level	Volume	SPEAKER OUTPUT (1 kHz)			SUBWOOFER (50 Hz)
		FRONT L/R	CENTER	SURROUND L/R	
Both ch, -20 dBm	+6.0 dB	+9.5 dBm	+9.5 dBm	+9.5 dBm	-5.5 dBm

**RAM THROUGH
INPUT: ANALOG**



**RAM THROUGH
INPUT: PCM/DD/DTS/AAC**



(Shaded items not used in this example)

4. PRO LOGIC/NEO6

- Using the sub-menu, it is possible to select Pro Logic I, Pro Logic II or Neo 6.
- Pro Logic I/II: Auto Input Balance Off

4. PRO LOGIC/NEO6

- サブメニューによりPro Logic I/Pro Logic II/Neo:6が選択可能です。
- Pro Logic I/II:Auto Input Balance Off

PRO LOGIC I

PRO LOGIC I

4. PRO LOGIC I

INPUT: DVD ANALOG

Input level	Volume	SPEAKER OUTPUT (1 kHz)			SUBWOOFER (50 Hz)
		FRONT L/R	CENTER	SURROUND L/R	
Each ch, -20 dBm	+6.0 dB	+9.5 dBm	- ∞	- ∞	- ∞
Both ch, -20 dBm	+6.0 dB	- ∞	+9.5 dBm	- ∞	- ∞

PRO LOGIC II

PRO LOGIC II

4. PRO LOGIC II

INPUT: DVD ANALOG

Input level	Volume	SPEAKER OUTPUT (1 kHz)			SUBWOOFER (50 Hz)
		FRONT L/R	CENTER	SURROUND L/R	
Each ch, -20 dBm	+6.0 dB	+9.5 dBm	- ∞	- ∞	- ∞
Both ch, -20 dBm	+6.0 dB	- ∞	+9.5 dBm	- ∞	- ∞

Neo 6

Neo 6

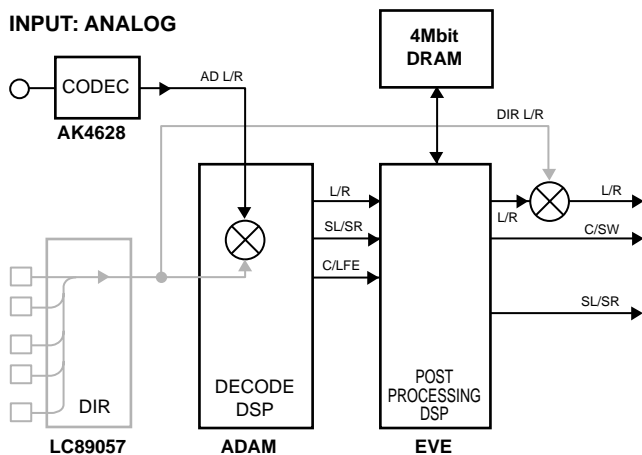
4. Neo:6

INPUT: DVD ANALOG

Input level	Volume	SPEAKER OUTPUT (1 kHz)			SUBWOOFER (50 Hz)
		FRONT L/R	CENTER	SURROUND L/R	
Each ch, -20 dBm	+6.0 dB	+9.5 dBm	- ∞	- ∞	- ∞
Both ch, -20 dBm	+6.0 dB	- ∞	+9.5 dBm	- ∞	- ∞

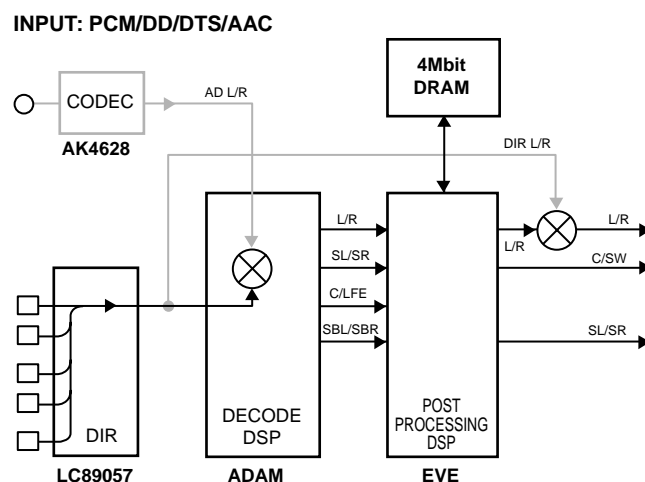
PRO LOGIC/NEO:6

INPUT: ANALOG



PRO LOGIC/NEO:6

INPUT: PCM/DD/DTS/AAC



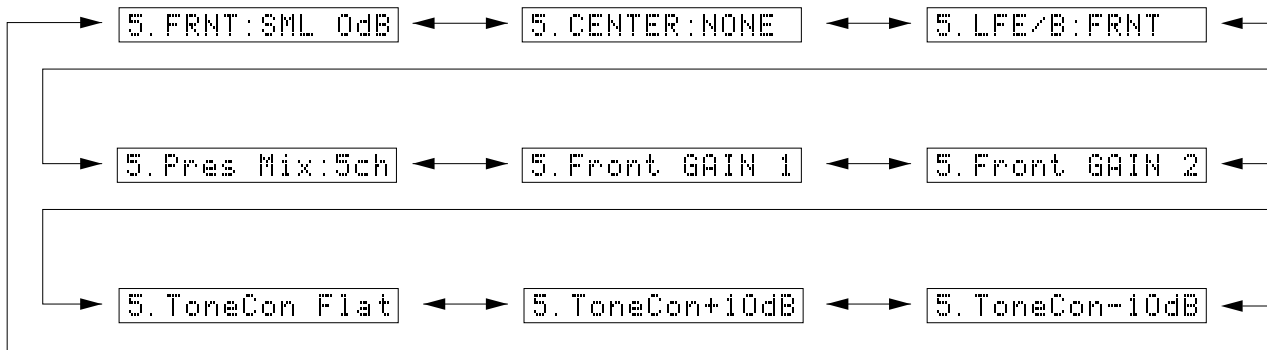
(Shaded items not used in this example)

5. SPEAKERS SET

The input signal is automatically identified and switched in the priority order of dts → DOLBY DIGITAL → AAC → PCM AUDIO → Analog (A/D) according to the signal detection. The signals output from the DSP block are the same as 1. DSP THROUGH: YSS 0dB.

5. SPEAKERS SET

入力は信号検出によって、dts DOLBY DIGITAL AAC PCM AUDIO アナログ(A/D)の優先順で自動判別切り換えされます。DSP部からは、No.1 DSP THROUGHのYSS 0dBと同様の信号が出力されます。



The analog switch settings for each sub-menu are as shown in the table below.

各サブメニューにおけるアナログスイッチの設定は以下の通りです。

Sub-menu		CENTER SP	SURR SP	FRONT SP	MAIN LEVEL	LFE/BASS
1	FRNT: SMALL 0dB	LARGE	LARGE	SMALL	0dB	SWFR
2	CENTER: NONE	NONE	LARGE	LARGE	0dB	SWFR
3	LFE/BASS: MAIN	SMALL	SMALL	LARGE	0dB	FRONT
4	FRONT MIX: 5CH	LARGE	LARGE	LARGE	0dB	SWFR
5	Front GAIN 1	LARGE	LARGE	LARGE	0dB	SWFR
6	Front GAIN 2	LARGE	LARGE	LARGE	0dB	SWFR

- LARGE:** This mode is used with a speaker with high bass reproduction performance (a large unit). Full bandwidth signals are output.
- SMALL:** This mode is used with a speaker with low bass reproduction performance (a small unit). The signals of 90 Hz or less are mixed into the channel specified by LFE/BASS.
- NONE:** This mode is used with no center speaker. The center content is reduced by 3 dB and distributed to MAIN L/R.

- LARGE :** 低音再生能力の高い(ユニットの大きい)スピーカーを使用するモードです。全帯域が出力されます。
- SMALL :** 低音再生能力の低い(ユニットの小さい)スピーカーを使用するモードです。90Hz以下がLFE/BASSで指定したチャンネルにミックスされます。
- NONE :** スピーカーを使用しないモードです。センター成分は-3dBされて、MAIN L/R に振り分けられます。

Sub-menu		Treble	Bass
7	Tone Control Flat	0 dB	0 dB
8	Tone Control +10dB	+10 dB	+10 dB
9	Tone Control -10dB	-10 dB	-10 dB

INPUT: DVD ANALOG

	Sub-menu	Input level	Volume	SPEAKER OUTPUT (1 kHz)			SUBWOOFER (50 Hz)
				FRONT L/R	CENTER	SUR L/R	
1	FRONT:SML 0dB	Both ch, -20 dBm	+6.0 dB	+9.5 dBm	+9.5 dBm	+9.5 dBm	-2.0 dBm
2	CENTER:NONE	Both ch, -20 dBm	+6.0 dB	+6.0 dBm	- ∞	+9.5 dBm	-5.5 dBm
3	LFE/B:FRNT (1kHz)	Both ch, -20 dBm	+6.0 dB	- ∞	+9.5 dBm	+9.5 dBm	- ∞
4	Pres Mix 5ch	Both ch, -20 dBm	+6.0 dB	+16.5 dBm	+9.5 dBm	+9.5 dBm	-5.5 dBm
5	Front GAIN 1	Both ch, -20 dBm	+6.0 dB	+16.5 dBm	+9.5 dBm	+9.5 dBm	-5.5 dBm
6	Front GAIN 2	Both ch, -20 dBm	+6.0 dB	+16.5 dBm	+9.5 dBm	+9.5 dBm	-5.5 dBm
7	ToneCon Flat	Both ch, -20 dBm	+6.0 dB	+9.5 dBm	+9.5 dBm	+9.5 dBm	-5.5 dBm
8	ToneCon +10dB	Both ch, -20 dBm	+6.0 dB	+11.0 dBm	+9.5 dBm	+9.5 dBm	-5.5 dBm
9	ToneCon -10dB	Both ch, -20 dBm	+6.0 dB	+8.0 dBm	+9.5 dBm	+9.5 dBm	-5.5 dBm

6. EXTERNAL INPUT

Not applied to this model.

6CH INPUT_6 (ohms)

6. 6CH INPUT_6

6CH INPUT_8 (ohms)

6. 6CH INPUT_8

7. MIC CHECK

Not applied to this model.

7. MIC CHK ---dB

6. EXTERNAL INPUT

このモデルには適用されません。

6CH INPUT_6 (ohms)

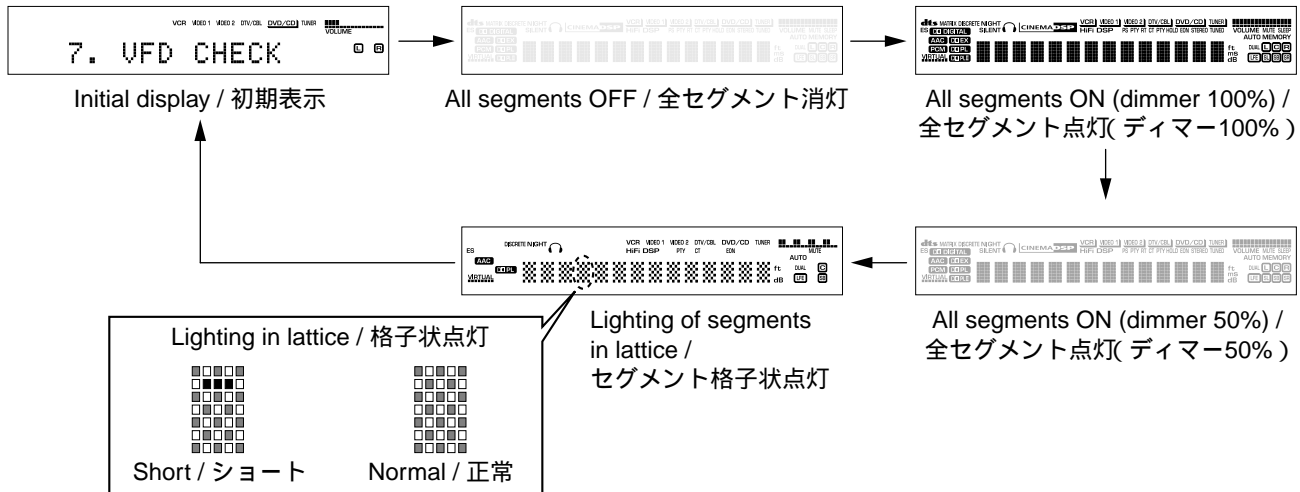
6CH INPUT_8 (ohms)

7. MIC CHECK

このモデルには適用されません。

8. DISPLAY CHECK

This program is used to check the FL display section. The display condition varies as shown below according to the sub-menu operation. The signals are processed using EFFECT OFF (The L/R signal is output using ANALOG MAIN BYPASS.)



Segment conditions of the FL driver and the FL tube are checked by turning ON and OFF all segments. Next, the operation of the FL driver is checked by using the dimmer control. Then a short between segments next to each other is checked by turning ON and OFF all segments alternately (in lattice). (In the above example, the segments in the second row from the top are shorted.)

8. DISPLAY CHECK

FL表示部のチェックプログラムです。サブメニュー操作により、表示状態が以下のように変わります。信号処理はEFFECT OFF (ANALOG MAIN BYPASSでL/Rを出力)です。

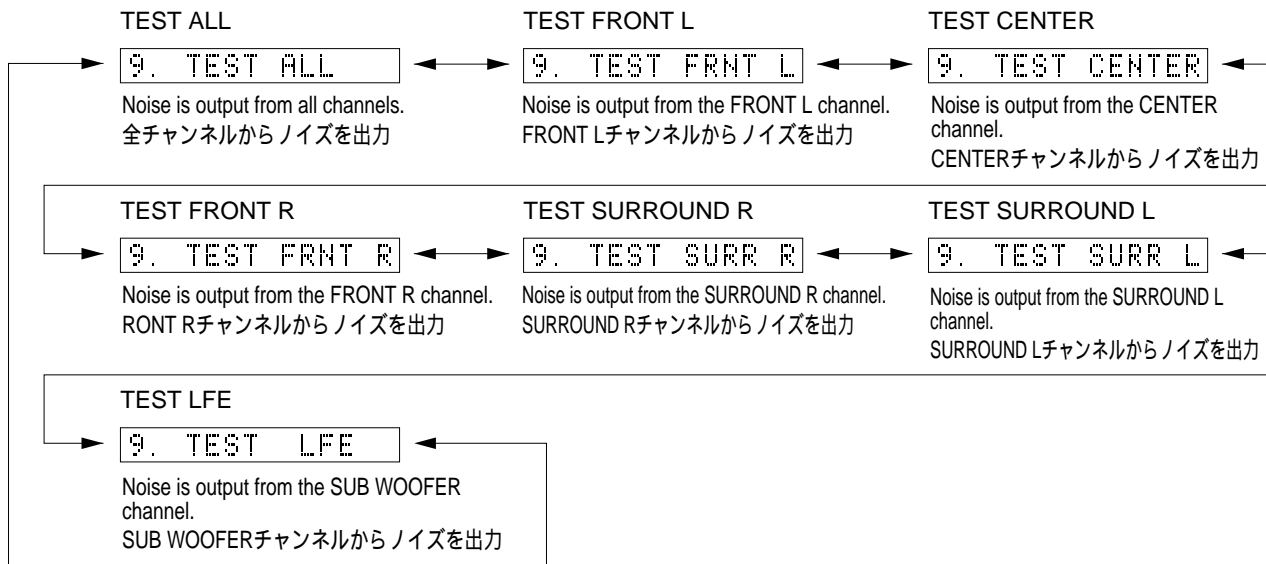
全セグメント消灯・全セグメント点灯によりFLドライバー、FL管のセグメントの不良を確認します。次に、ディマーコントロールによってFLドライバーの動作チェックを行います。さらに全セグメントを交互(格子状)に点灯/消灯することで、隣り合うセグメントのショートをチェックします。

9. MANUAL TEST

The noise generator built into the DSP outputs the test noise through the channels specified by the sub-menu. The noise frequency for LFE is 35 to 250 Hz. Other than that, the center frequency is 800 Hz.

9. MANUAL TEST

DSP内蔵のノイズ発生回路によって、サブメニューで指定したチャンネルへテストノイズを出力します。LFE用のノイズ周波数は35～250Hz、それ以外は中心周波数800Hzとなります。



10. FACTORY PRESET

This menu is used to reserve and inhibit initialization of the back-up RAM. The signals are processed using EFFECT OFF. (The L/R signal is output using ANALOG MAIN BYPASS.)

10. PRESET INHI



10. PRESET RSRV

PRESET INHIBIT (Initialization inhibited) / PRESET INHIBIT(初期化禁止)

RAM initialization is not executed. Select this sub-menu to protect the values set by the user. RAMの初期化は行われません。ユーザーの設定値を保護するときは、こちらを選択してください。

PRESET RESERVED (Initialization reserved) / PRESET RESERVED (初期化予約)

Initialization of the back-up RAM is reserved. (Actually, initialization is executed the next time that the power is turned on.) Select this sub-menu to reset to the original factory settings or to reset the RAM.

バックアップRAMの初期化が予約されます。(実際に初期化されるのは、次回の電源投入時です。)工場出荷時やRAMをリセットしたいときは、こちらを選択してください。

CAUTION: Before setting to the PRESET RESERVED, write down the existing preset memory content of the Tuner in a table as shown below. (This is because setting to the PRESET RESERVED will cause the user memory content to be erased.)

注意： PRESET RESERVEDを選んで初期化をする前に、チューナーのユーザーメモリー内容を下表に書き写してください。(初期化をすると、ユーザーメモリーの内容は消えてしまいます。)

Preset group	P1	P2	P3	P4	P5	P6	P7	P8
A								
B								
C								
D								
E								

• PRESET STATIONS / プリセット局

STATION		FM FACTORY PRESET DATA (MHz)		
PAGE	NO.	U, C	R, T, K, A, B, G, L	J
A/C/E	1	87.5	87.5	76.0
	2	90.1	90.1	83.0
	3	95.1	95.1	84.0
	4	98.1	98.1	86.0
	5	107.9	108.0	90.0
	6	88.1	88.1	78.0
	7	106.1	106.1	88.0
	8	107.9	108.0	82.1

STATION		AM FACTORY PRESET DATA (kHz)		
PAGE	NO.	U, C, R, T, K	A, B, G, L	J
B/D	1	630	630	630
	2	1080	1080	1080
	3	1440	1440	1440
	4	530	531	531
	5	1710	1611	1611
	6	900	900	900
	7	1350	1350	1350
	8	1400	1404	1404

11. AD DATA CHECK/FAN TEST

This menu is used to display the A/D conversion value of the terminals which detects panel keys of the main unit and protection functions in % using the sub-menu. During signal processing, the condition before execution is maintained.

When K0/K1 menu is selected, keys become non-operable due to detection of the values of all keys. However, it is possible to advance to the next sub-menu by turning the VOLUME of the main unit while in the menu select mode. When using this function, note that turning the VOLUME more than 2 clicks will cause the volume value to change.

* The figures in the diagram are given as reference only.

DC (protection detection)

DC protection value (Reference Voltage : 5 V = 100%)
(Normal value: 25 to 46) U, C, A, L,
R, T, K models
(Normal value: 42 to 67) B, G models

If DC is out of the normal value range, the protection function works to turn off the power.

DC: 98% UC: 38%

UC (Detected value of D-AMP module temperature)

The ambient temperature of the D-AMP module is detected by TH661.

The voltage is displayed in % using the detected value of the temperature. (Reference Voltage : 5V = 500%)(Normal value: 2 to 295)

11. AD DATA CHECK/FAN TEST

本体パネルキー、プロテクションなどを検出している端子のA/D変換の値を、サブメニューで%表示します。信号処理は実行前の状態を維持します。

K0/K1のメニューにすると、全キーの値を検出するためキー操作はできなくなりますが、メニュー選択モード中に本体のVOLUMEを回すことにより、次のサブメニューに進めることができます。このとき2クリック以上回すと、ボリューム値が変化するので注意してください。

図中の数値は参考例です。

DC (プロテクションの検出)

DCプロテクションの値(基準電圧: 5V=100% 正常値25~46)
DCは正常値を外れるとプロテクションが働き、電源オフされます。

UC (D-AMPモジュール温度検出値)

D-AMPモジュールの雰囲気温度をTH661で検出します。
温度検出値の電圧を%表示(基準電圧: 5V=500% 正常値2~295)

THM/Fan (temperature detection/fan drive level)

THM: The voltage is displayed in % using the detected value of the temperature. (Reference Voltage : 5V = 500%)(Normal value: 2 to 272)

Fan: Current fan drive level on the left and the past fan drive history on the right.

THM/Fan (温度検出/ファン駆動レベル)

THM: 温度検出値の電圧を%表示(基準電圧: 5V=500% 正常値2~272)

Fan: 左側は現在のファン駆動レベル、右側は過去のファン駆動履歴

THM205% Fan 5 / 4

5 levels from 0 to 4
0~4の5段階

REC-OUT

Not applied to this model.

REC-OUT

このモデルには適用されません。

REC-OUT:

IMP SW / POWER LIMIT (Impedance / power limiter detection)

Not applied to this model.

IMP SW / POWER LIMIT (インピーダンス/パワーリミッターの検出)

このモデルには適用されません。

IMP: 8 PL: 55%

K0/K1 (Panel key of main unit)

A/D of the key fails to function properly when the standard value is deviated. In this case, check the constant of partial pressure resistor, solder condition, etc. Refer to table 1.

K0/K1 (本体パネルキー)

キーのA/Dは基準値から外れると、正常な動きをしません。Table 1をご覧ください、各キーの分圧抵抗の定数、ハンダ不良等の確認をしてください。

K0:100 K1:

[Table 1]

Display (%)	K0
0 - 5	ENTER
6 - 15	INPUT
15 - 28	DSP
28 - 46	TUNER

12. FAN TEST

This program checks the fan operation. The fan drive mode varies as follows according to the sub-menu operation.

12. FAN TEST

ファンの動作チェックプログラムです。サブメニュー操作により、FANの駆動が以下のように変わります。

FAN DRIVE TEST (For models so equipped)

HIGH

FAN DRIVE TEST (ファン駆動テスト)

HIGH : ファン駆動強

FAN TEST:HIGH

FAN DRIVE TEST (For models so equipped)

MID

FAN DRIVE TEST (ファン駆動テスト)

MID : ファン駆動中

FAN TEST:MID

FAN DRIVE TEST (For models so equipped)

LOW

FAN DRIVE TEST (ファン駆動テスト)

LOW : ファン駆動弱

FAN TEST:LOW

13. IF STATUS (Input function status)

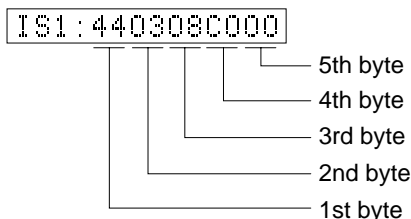
Using the sub-menu, the status data is displayed one after another in the hexadecimal notation.

During signal processing, the status before execution of this menu is maintained.

* Numeric values in the figure example are for reference.

IS1, 2 (Internal status):

Indicates the status information of the microprocessor.



<1st byte> Digital input/output setting value
Upper 4 bits: REC OUT selected /
lower 4 bits: INPUT selected

Value	Choice	Preset name	Value	Choice	Preset name
0	NONE				
1	OPT_FRONT	VIDEO2			
2	OPT_1	DVD/CD	8	COAX	VIDEO1
3	OPT_2	DTV/CBL			

<2nd byte> / <第2バイト>
Fs information of reproduction signal /
再生信号のFs情報

Display	Fs (kHz)
00	Analog
01	32kHz
02	44.1kHz
03	48kHz
04	64kHz
05	88.2kHz
06	96kHz
0A	Unknown NRM
0B	Unknown DBL
0C	Unknown QUAD
0D	Undefined

<5th byte> / <第5バイト>
Signal processing status information /
信号処理ステータス情報

bit 7	Mute request
bit 6	Red dts flashing
bit 5	6.1/EX processing
bit 4	FULL MUTE (ON:1)
bit 3	-
bit 2	THR & BYPASS (*2)
bit 1	-
bit 0	dts analog mute

<3rd byte> / <第3バイト>
Audio code mode information of
reproduction signal /
再生信号のオーディオコードモード情報

Display	Audio code
00	1+1
01	1/0
02	2/0
03	3/0
04	2/1
05	3/1
06	2/2
07	3/2
08	2/3
09	3/3
0A	over 6.1
0B	Milti PCE
0C	Unknown
0D	Unknown

*2: With digital signals other than 32 kHz, 44.1 kHz and 48 kHz, through processing method is used for reproducibile signals.

*2: 32kHz, 44.1kHz, 48kHz以外のデジタル信号の場合、再生可能な信号についてはスルー処理されます。

<4th byte> / <第4バイト>
Format information of reproduction
signal /
再生信号のフォーマット情報

Display	Signal format
00	Analog (Unlock)
01	Incorrect digital (*1)
10	PCM Audio
20	Digital Data
21	IEC1937 Data
22	None PCM
23	Unknown
50	dts
51	Red dts
54	dts-ES MATRIX
58	dts-ES DISCRETE
5C	dts-ES (Both flag)
60	AAC
C0	Dolby Digital
C1	D.D. Karaoke
C4	D.D.6.1 (D.D.EX)

*1: Analog processing used for digital reproduction is not possible because of a commercial bit or 4-ch audio reason.

*1: 業務用ビットや4chオーディオなどの理由で、デジタル再生できずアナログ処理されます。

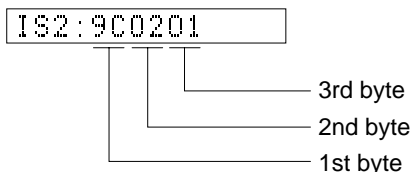
13. IF STATUS

サブメニュー操作により、以下のステータス情報を順次16進数で表示します。信号処理は、本メニュー実行前の状態を維持します。

図中の数値は参考例です。

IS 1, 2 (内部ステータス)

マイコンのステータス情報を表示します。



<第1バイト> デジタル入出力設定値
上位4bit REC OUT選択 /
下位4bit INPUT選択

CS2 (Internal status): (Not used in this model)

CS 2(内部ステータス) (使用しません)

IS2:0300FFFF

CS1-5: Indicates channel status information of the input signal (IEC60958). (Not used in this model)

CS 1-5: 入力信号のIEC60958チャンネルステータス情報を表示します。(使用しません)

CS1:FFFFFFFFF ----- CS5:00000000

BS1-7: Indicates information of the bit stream. (Not used in this model)

BS1-7: ビットストリームインフォメーション情報を表示します。(使用しません)

BS1:000000000 ----- BS7:7000

TI1-2: Indicates information of the bit stream. (Not used in this model)

TI1-2: ビットストリームインフォメーション情報を表示します。(使用しません)

TI1:000000000 ----- TI2:00

MTT: Mute Trigger (Not used in this model)

MTT: Mute Trigger (使用しません)

MTT:0020000007

14. DSP RAM CHECK

This menu is used to self-diagnose whether or not the bus connection for the YSS930 and the external RAM is made properly.

During signal processing, the status before execution of this menu is maintained.

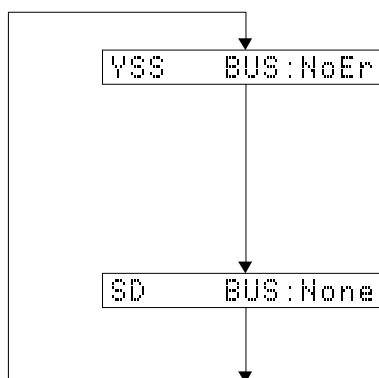
The address bus and the data bus are checked and the connection condition is displayed.

When no error is detected, "NoEr" appears on display.

14. DSP RAM CHECK

YSS930と外付けRAMとのバス接続の正否を自己診断します。信号処理は、このメニューを実行する前の状態を維持します。アドレスバス、データバスのチェックを行い、接続正否を表示します。

エラーが検出されなかった場合は、“NoEr”と表示されます。



YSS930 BUS CHECK

Display	Description
WAIT	Bus is being checked. / バスチェック中
NoEr	No error detected. / 不良検出なし
DATA	Data bus shorted or open. / データバスのエラー
RSCS	/RAS or /CAS shorted, or open. / /RASまたは/CASのエラー
ADDR	Address bus shorted or open. / アドレスバスのエラー

YSS948 BUS CHECK

Display	Description
Err	Defect / 不良検出あり
NoEr	No error detected / 不良検出なし

15. PROTECTION SETTING

Not applied to this model.

15. PROTECTION SETTING

このモデルには適用されません。

16. SOFT SW

This menu is used to switch the function settings on P.C.B. through the software so as to activate the product.

The protection function follows the P.C.B. settings. When connected to AC or in the maker preset state, the unit is initialized to the P.C. B. setting. Display of each function after initialization varies depending on settings on P.C.B. The operation mode can be changed by selecting the sub-menu and then using the DSP key. With SOFT selected for the SW mode, the settings become effective.

SW MODE: PCB or SOFT can be selected.

```
16. SW :PCB
```

MODEL SETTING: SL80

```
16. MODEL:SL80
```

DESTINATION: J, AT, UC, L, K, GB, none or R can be selected.

```
16. DEST :UC
```

TUNER: EXIST

```
16. TUNER:EXIST
```

RDS: NOT or EXIST are displayed.

```
16. RDS :NOT
```

ZONE2: NOT

```
16. ZONE2:NOT
```

VIDEO FORMAT: NTSC or PAL are displayed.

```
16. VIDEO:PAL
```

16. SOFT SW

P.C.B.上の機能設定をソフト的に切り替えて、製品を動作させる機能です。

プロテクション機能は、P.C.B.の設定に従います。AC接続またはメーカープリセットで、P.C.B.の設定に初期化されます。初期化後の各機能の表示は、P.C.B.上の設定によります。操作は、サブメニューを選んだ後、DSPキーで切り替えます。SWモードをSOFTにすると、設定が有効になります。

SW MODE : PCBまたはSOFTを選択できます。

MODEL SETTING : SL80

DESTINATION : J、AT、UC、L、K、GB、none、Rのいずれかを選択できます。

TUNER : EXISTを表示します。

RDS : NOTまたはEXISTを表示します。

ZONE2 : NOT

VIDEO FORMAT : NTSCまたはPALを表示します。

17. MICROPROCESSOR INFORMATION

The version, checksum and the port specified by the microprocessor are displayed. The signal is processed using EFFECT OFF. The checksum is obtained by adding the data at every 8 bits for each program area and expressing the result as a 4-figure hexadecimal data.

* The numeric value in the diagram is for reference.

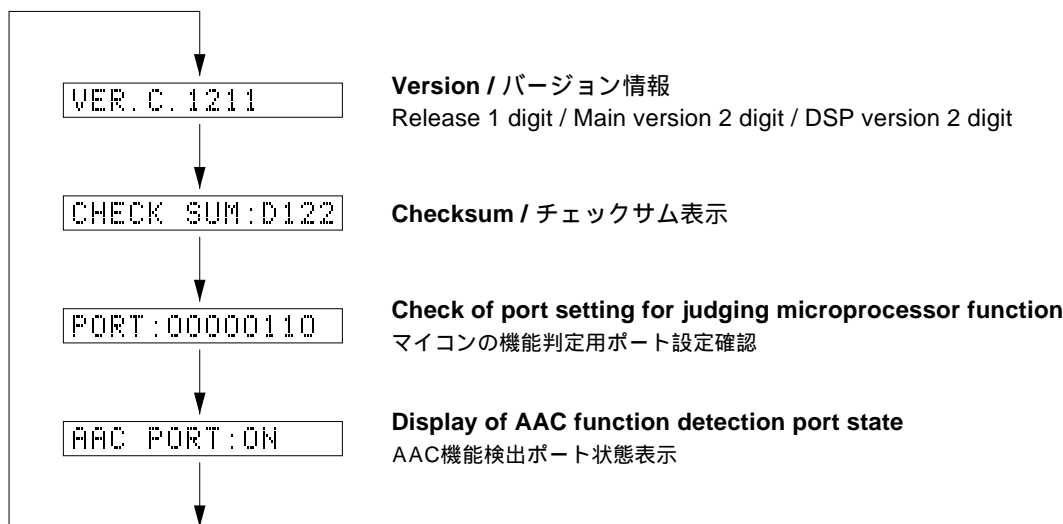
17. マイコン情報

サブメニューは4つあります。

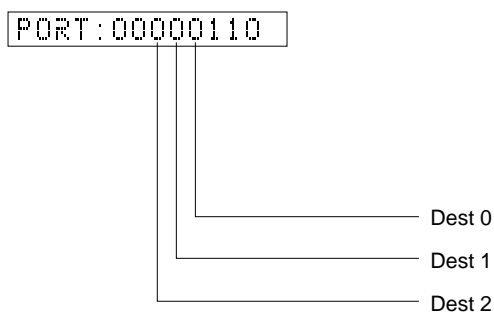
プログラムのバージョン、チェックサム、マイコンの指定ポートを表示します。

信号はエフェクトOFFです。チェックサムは、プログラムエリア別にデータを8ビットごとに加算していき、4桁の16進データで現したものです。

図中数値は参考例です。



Details of port setting / ポート設定の詳細



Dest 0	Dest 1	Dest 2	Destination
0	0	0	J
0	1	0	U, C
1	0	0	T, A
0	0	1	K
1	0	1	B, G
1	1	0	L
1	1	1	R

■ D-AMP MODULE TROUBLESHOOTING / D-AMPモジュールの故障診断

When the D-AMP module is working properly, the sine wave signal appears at the speaker terminal in the no signal applied state. The sine wave signal is about 400kHz, about 200mVRMS and lower than DC offset 50mV based on the negative (-) side. When this signal is not observed, it is possible that the D-AMP module has failed. In such case, replace the D-AMP module.

D-AMPモジュールが正常に動作している場合、入力無信号状態で-(マイナス)側を基準に約400kHz、約200mVRMS、DCオフセット50mV以下のサイン波がスピーカー端子に現れます。この信号が観測されない場合、D-AMPモジュールが故障している可能性があります。その場合、D-AMPモジュールを交換してください。

■ AMP ADJUSTMENT / アンプ部調整

Equipment required

- Wire Harness Tie: CB040540
(S-72B, L=50mm)
- Volt meter

Preparation

1. Remove the plastic part (shaded in the figure) of the flat cable bracket in the arrow direction. (Fig. 1)
2. Bend the cable at 5mm from the tip end of the flat cable bracket. (Fig. 2)

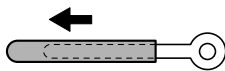


Fig. 1

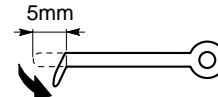


Fig. 2

Condition

- Start adjustment 5 sec or more after the power is turned on.
- Headphones are not plugged in.
- No input signal.

必要なツール

- 束線止め : CB040540
(S-72B、L=50mm)
- 電圧計

準備

1. 束線止めのビニール(斜線の部分)を矢印の方向に取り外します。(Fig.1)
2. 束線止めの先端から5mmの位置で折り曲げます。(Fig.2)

条件

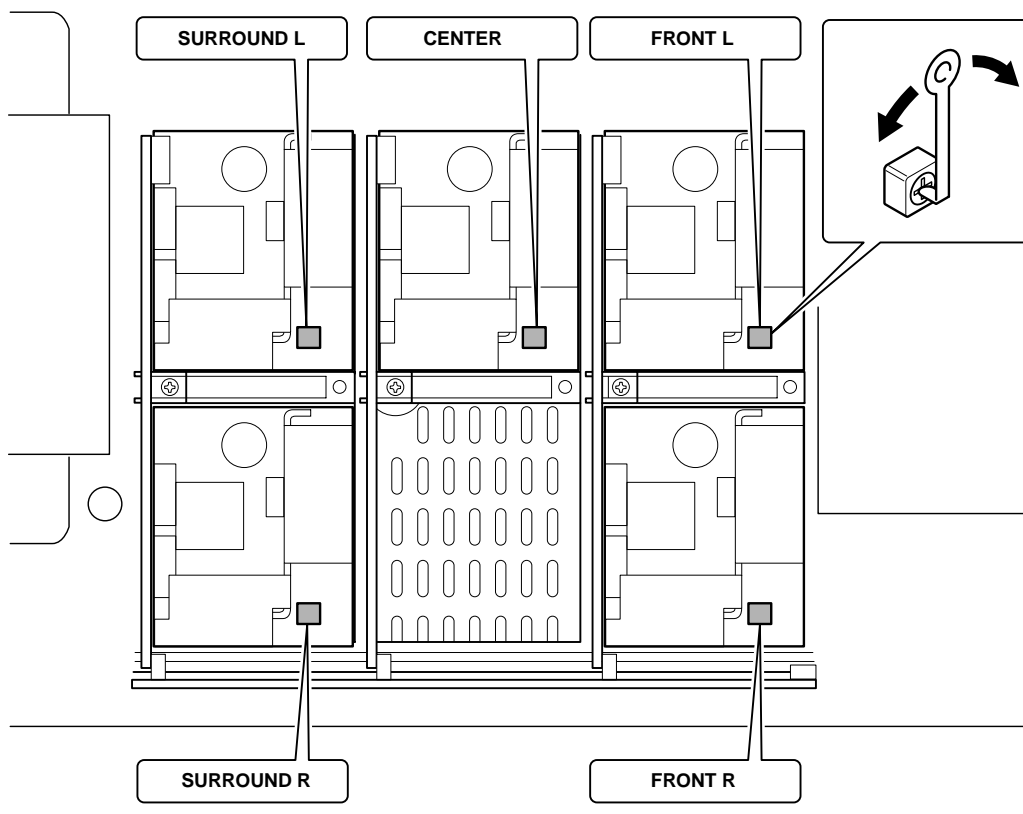
- 電源を入れてから5秒間以上経過後に調整を始めます。
- ヘッドホンは差し込みません。
- 無入力信号

DC Offset Adjustment

Adjust the potentiometer on each D-Amp Module so that the DC voltage becomes $-3 \pm 10 \text{ mV}$ at each speaker output terminal.

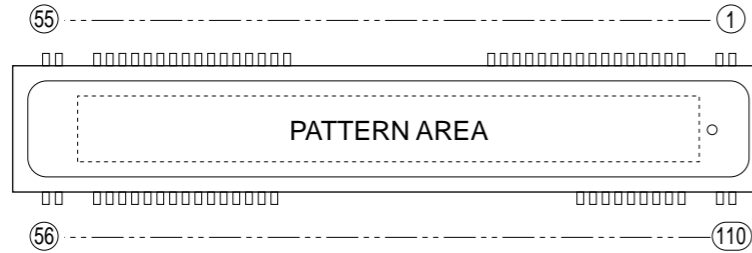
DCオフセット調整

各スピーカー出力端子のDC電圧が $-3 \pm 10 \text{ mV}$ になるように、各D-アンプモジュールの半固定VRを調整します。



■ DISPLAY DATA

● V101 : HNA-16SM08T (WB569700)

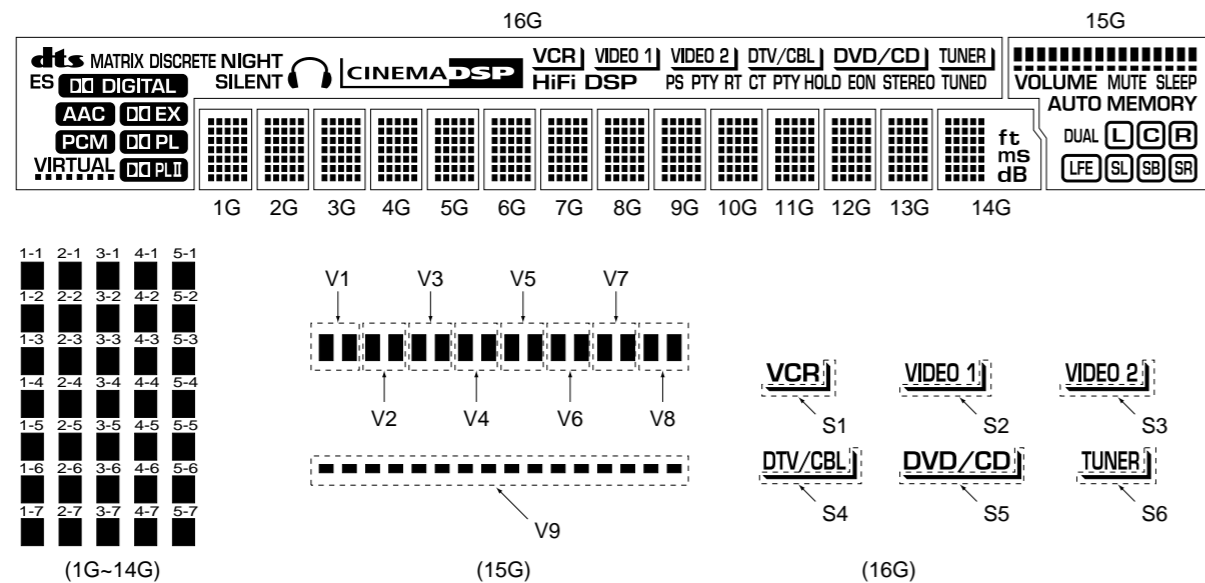


● PIN CONNECTION

PIN NO.	28	27	26	25	24	23	22	21	20	19	18	17	16	15	14	13	12	11	10	9	8	7	6	5	4	3	2	1
CONNECTION	NP	NP	NP	NP	NP	NP	NP	NP	NX	15G	14G	13G	12G	11G	10G	9G	8G	7G	6G	5G	4G	3G	2G	1G	NP	NP	F1	F1
PIN NO.	55	54	53	52	51	50	49	48	47	46	45	44	43	42	41	40	39	38	37	36	35	34	33	32	31	30	29	
CONNECTION	F2	F2	NP	NP	P24	P25	P26	P27	P28	P29	P30	P31	P32	P33	P34	P35	P36	P37	P38	16G	NP	NP	NP	NP	NP	NP	NP	
PIN NO.	56	57	58	59	60	61	62	63	64	65	66	67	68	69	70	71	72	73	74	75	76	77	78	79	80	81	82	
CONNECTION	F2	F2	NP	NP	P23	P22	P21	P20	P19	P18	P17	P16	P15	P14	P13	P12	P11	P10	P9	NP	NP	NP	NP	NP	NP	NP	NP	
PIN NO.	83	84	85	86	87	88	89	90	91	92	93	94	95	96	97	98	99	100	101	102	103	104	105	106	107	108	109	110
CONNECTION	NP	NP	NP	NP	NP	NP	NP	NP	NP	NP	NP	NP	NP	NP	NX	P8	P7	P6	P5	P4	P3	P2	P1	NP	NP	F1	F1	

Note : 1) F1, F2 Filament 2) NP No pin 3) NC No connection 4) NX No extended 5) 1G ~ 16G Grid 6) P1 ~ 38 Anode

● GRID ASSIGNMENT

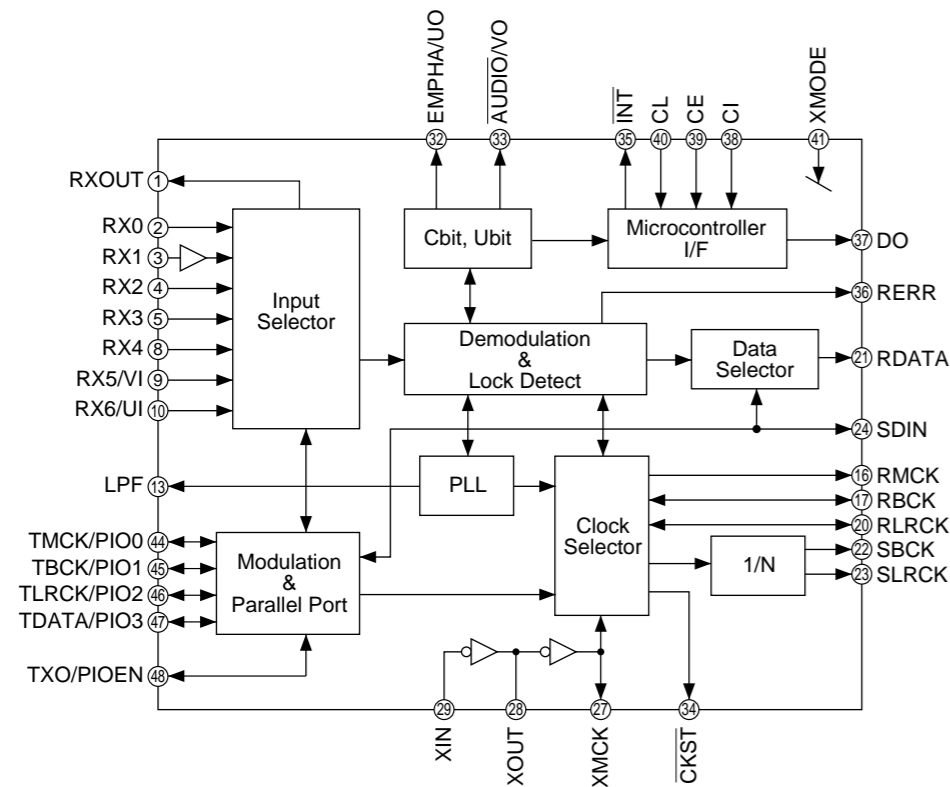
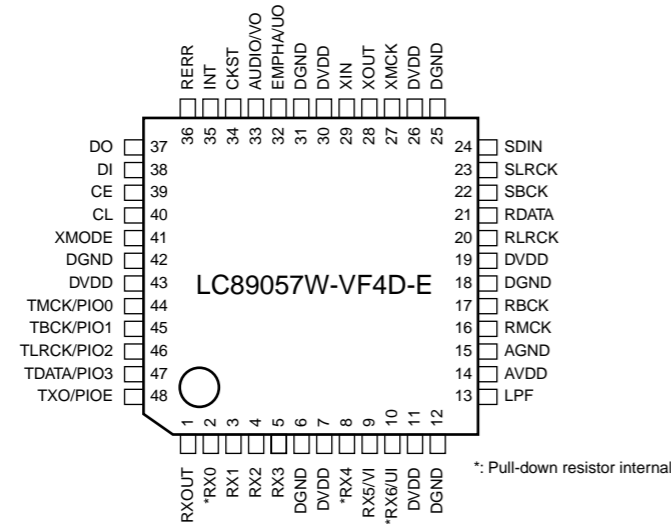


● ANODE CONNECTION

	16G	15G	14G	13G~1G
P1	dts	V1	1-1	1-1
P2	ES	V2	2-1	2-1
P3	MATRIX	V3	3-1	3-1
P4	DISCRETE	V4	4-1	4-1
P5	DIGITAL	V5	5-1	5-11
P6	AAC	V6	1-2	1-2
P7	PCM	V7	2-2	2-2
P8	VIRTUAL	V8	3-2	3-2
P9	EX	V9	4-2	4-2
P10	PL	VOLUME	5-2	5-2
P11	PLII	MUTE	1-3	1-3
P12	NIGHT	SLEEP	2-3	2-3
P13	SILENT	AUTO	3-3	3-3
P14		MEMORY	4-3	4-3
P15	CINEMA DSP	DUAL	5-3	5-3
P16	VCR	L	1-4	1-4
P17	S1	C	2-4	2-4
P18	VIDEO 1	R	3-4	3-4
P19	S2	LFE	4-4	4-4
P20	VIDEO 2	SL	5-4	5-4
P21	S3	SB	1-5	1-5
P22	DTV/CBL	SR	2-5	2-5
P23	S4	-	3-5	3-5
P24	DVD/CD	-	4-5	4-5
P25	S5	-	5-5	5-5
P26	TUNER	-	1-6	1-6
P27	S6	-	2-6	2-6
P28	HiFi DSP	-	3-6	3-6
P29	PS	-	4-6	4-6
P30	PTY	-	5-6	5-6
P31	RT	-	1-7	1-7
P32	CT	-	2-7	2-7
P33	PTY HOLD	-	3-7	3-7
P34	EON	-	4-7	4-7
P35	STEREO	-	5-7	5-7
P36	TUNED	-	ft	-
P37	-	-	ms	-
P38	-	-	dB	-

IC DATA

IC302: LC89057W-VF4D-E (DIGITAL P.C.B) Digital Audio Interface Transceiver

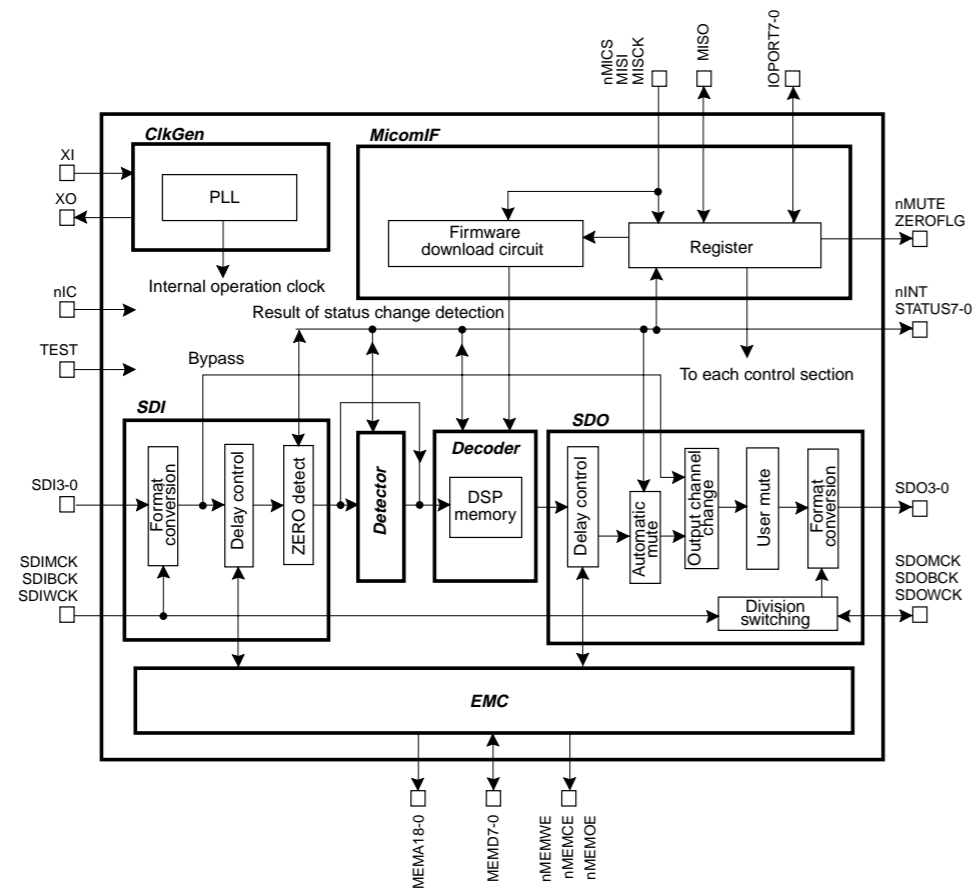
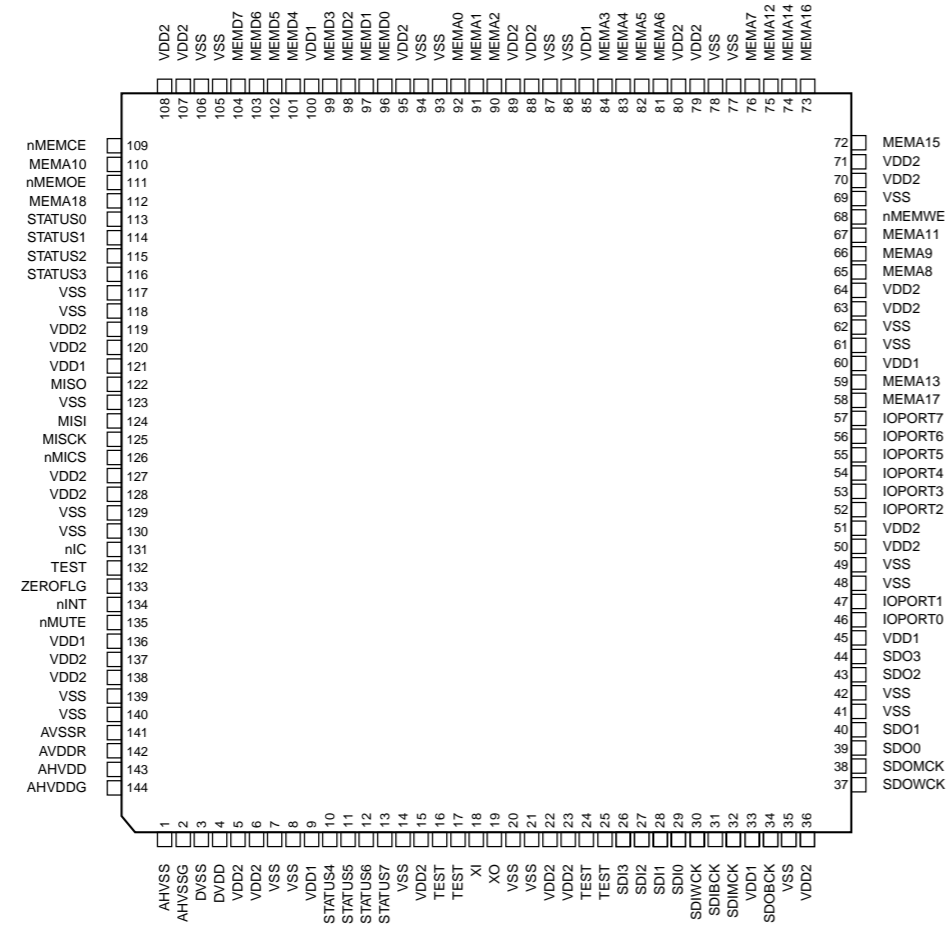


IC302: LC89057W-VF4D-E (DIGITAL P.C.B) Digital Audio Interface Transceiver

No.	Name	I/O	Function
1	RXOUT	O	Input bi-phase selection data output pin
2	RX0	I _S	TTL-compatible digital data input pin
3	RX1	I	Coaxial-compatible digital data input pin with built-in amplifier
4	RX2	I _S	TTL-compatible digital data input pin
5	RX3	I _S	TTL-compatible digital data input pin
6	DGND		Digital GND
7	DVDD		Digital power supply
8	RX4	I _S	TTL-compatible digital data input pin
9	RX5/VI	I _S	TTL-compatible digital data / Validity flag input pin for modulation
10	RX6/UI	I _S	TTL-compatible digital data / User data input pin for modulation
11	DVDD		PLL digital power supply
12	DGND		PLL digital GND
13	LPF	O	PLL loop filter connection pin
14	ACDD		PLL analog power supply
15	AGND		PLL analog GND
16	RMCK	O	R system clock output pin (256fs, 512fs, XIN, VCO)
17	RBCK	O/I	R bit clock input/output pin
18	DGND		Digital GND
19	DVDD		Digital power supply
20	RLRCK	O/I	R LR clock input/output pin (fs)
21	RDATA	O	Serial audio data input pin
22	SBCK	O	S bit clock output pin (32fs, 64fs, 128fs)
23	SLRCK	O	S LR clock output pin (fs/s, fs, 2fs)
24	SDIN	I _S	Serial audio data input pin
25	DGND		Digital GND
26	DVDD		Digital power supply
27	XMCK	O	Oscillation amplifier output pin
28	XOUT	O	Crystal resonator connection output pin
29	XIN	I	Crystal resonator connection, external supply clock input pin (24.576 MHz or 12.288 MHz)
30	DVDD		Digital power supply
31	DGND		Digital GND
32	EMPHA/VO	I/O	Emphasis information / U data output / Chip address setting pin
33	AUDIO/VO	I/O	Non-PCM output / V flag output / Chip address setting pin
34	CKST	I/O	Clock switch transition period signal / Demodulation master or slave function switch pin
35	INT	I/O	Microcontroller interrupt output / Modulation or general-purpose I/O switch pin
36	RERR	O	PLL clock error, data error flag output
37	DO	O	Microcontroller I/F read data output pin (3-state)
38	DI	I _S	Microcontroller I/F write data input pin
39	CE	I _S	Microcontroller I/F chip enable input pin
40	CL	I _S	Microcontroller I/F clock input pin
41	XMODE	I _S	System reset input pin
42	DGND		Digital GND
43	DVDD		Digital power supply
44	TMCK/PIO0	I/O	Modulation 256fs system clock input / General-purpose I/O input/output pin
45	TBCK/PIO1	I/O	Modulation 64fs bit clock input / General-purpose I/O input/output pin
46	TLRCK/PIO2	I/O	Modulation fs clock input / General-purpose I/O input/output pin
47	TLRCK/PIO3	I/O	Modulation serial audio data input / General-purpose I/O input/output pin
48	TXO/PIOEN	O/I	Modulation data output / General-purpose I/O enable input pin

- 1) Input/output I or O = -0.3 to 3.6V, I_S = -0.3 to 5.5V
- 2) Pins 32 and 33 are latch address setting input pins when pin 41 = "L".
- 3) Pin 34 is a demodulation function master or slave setting input pin when pin 41 = "L".
- 4) Pin 35 is a modulation function or general-purpose I/O function switch setting input pin when pin 41 = "L".
- 5) Perform ON/OFF for all power supplies with the same timing as a latch-up countermeasure.

IC304: YSS948-V (DIGITAL P.C.B)
ADAM



IC304: YSS948-V (DIGITAL P.C.B)
ADAM

Category	No.	Name	I/O	Function				
Power Supply	9	VDD1	-	Power supply terminal for terminal block circuit (Typ.3.3V)				
	33							
	45							
	60							
	85							
	100							
	121							
	136							
	Power Supply				5	VDD2	-	Power supply terminal for Internal Circuit (Typ.1.2V)
					6			
					15			
					22			
					23			
36								
50								
51								
63								
64								
70								
71								
79								
80								
88								
89								
95								
107								
119								
120								
127								
128								
137								
138								
	142	AVDDR	-	Power supply terminal 1 for PLL section (Typ.3.3V)				
	143	AHVDD	-	Power supply terminal 2 for PLL section (Typ.3.3V)				
	144	AHVDDG	-	Power supply terminal 3 for PLL section (Typ.3.3V)				
	4	DVDD	-	Internal power supply terminal for PLL section (Typ.1.2V)				
	7	VSS	-	Ground terminal				
	8							
	14							
	20							
	21							
	35							
	41							
	42							
	48							
	49							
	61							
	62							
	69							
	77							
	78							
	86							
	87							
	93							

IC304: YSS948-V (DIGITAL P.C.B)

ADAM

Category	No.	Name	I/O	Function			
Power Supply	94	VSS	-	Ground terminal			
	105						
	106						
	117						
	118						
	123						
	129						
	130						
	139						
	140						
	1				AHVSS		Ground terminal 2 for PLL section
	2				AHVSSG		Ground terminal 3 for PLL section
	3				DVSS		Ground terminal 4 for PLL section
	141				AVSSR		Ground terminal 1 for PLL section
Initial Clear	131	nIC	-	Hardware reset input terminal			
Clock	18	XI	I	Clock input terminal			
	19	XO	O	Clock output terminal for crystal oscillator oscillation			
μ-COM Interface	126	nMICS	Is	Chip select input terminal for μ-COM interface			
	125	MISCK	Is	Clock input terminal for μ-COM interface			
	124	MISI	I	Address,read/write control,data input terminal for μ-COM interface			
	122	MISO	Ot	Data output terminal for μ-COM interface			
Audio Interface	32	SDIMCK	Is	Master clock input terminal on input side of audio interface			
	31	SDIBCK	Is	Bit clock input/output terminal on input side of audio interface			
	30	SDIWCK	I	Word clock terminal on input side of audio interface			
	26	SDI3	I	Serial data input terminal 3 for Audio Interface			
	27	SDI2	I	Serial data input terminal 2 for audio interface			
	28	SDI1	I	Serial data input terminal 1 for audio interface			
	29	SDI0	I	Serial data input terminal 0 for audio interface			
	38	SDOMCK	Ot	Master clock output terminal on output side of audio interface			
	34	SDOBCK	Is/O	Bit clock input/output terminal on output side of audio interface			
	37	SDOWCK	I/O	Word clock input/output terminal on output side of audio interface			
	44	SDO3	O	Serial data output terminal 3 for audio interface			
	43	SDO2	O	Serial data output terminal 2 for audio interface			
	40	SDO1	O	Serial data output terminal 1 for audio interface			
	39	SDO0	O	Serial data output terminal 0 for audio interface			
	External Memory Interface	112	MEMA18	O	External memory address output terminals 18 to 0		
		58	MEMA17	I/O			
73		MEMA16					
72		MEMA15					
74		MEMA14					
59		MEMA13					
75		MEMA12					
67		MEMA11					
110		MEMA10					
66		MEMA9					
65		MEMA8					
76		MEMA7					
81		MEMA6					
82		MEMA5					
83		MEMA4					
84		MEMA3					
90		MEMA2					
91		MEMA1					
92		MEMA0					
	104	MEMD7		External memory data input/output terminals 7 to 0			

IC304: YSS948-V (DIGITAL P.C.B)

ADAM

Category	No.	Name	I/O	Function		
External Memory Interface	103	MEMD6	I/O	External memory data input/output terminals 7 to 0		
	102	MEMD5				
	101	MEMD4				
	99	MEMD3				
	98	MEMD2				
	97	MEMD1				
	96	MEMD0				
	109	nMEMCE			O	External memory chip select output terminal
	111	nMEMOE			O	External memory output enable output terminal
	68	nMEMWE			O	External memory write enable output terminal
Status Port	134	nINT	O	Interrupt request output terminal		
	135	nMUTE	O	Auto mute period output terminal		
	133	ZEROFLG	O	Continuous zero data input detect terminal		
	13	STATUS7	O	Status data output Terminals 7 to 0		
	12	STATUS6				
	11	STATUS5				
	10	STATUS4				
	116	STATUS3				
	115	STATUS2				
	114	STATUS1				
113	STATUS0					
General Purpose I/O Port	57	IOPORT7			I(+)/O	General Purpose Input/Output Port Terminals 7 to 0
	56	IOPORT6				
	55	IOPORT5				
	54	IOPORT4				
	53	IOPORT3				
	52	IOPORT2				
	47	IOPORT1				
	46	IOPORT0				
	Test	16	TEST	Is		
17						
24						
25						
132						

I/O symbols

I: Digital Input

Is: Schmidt Input

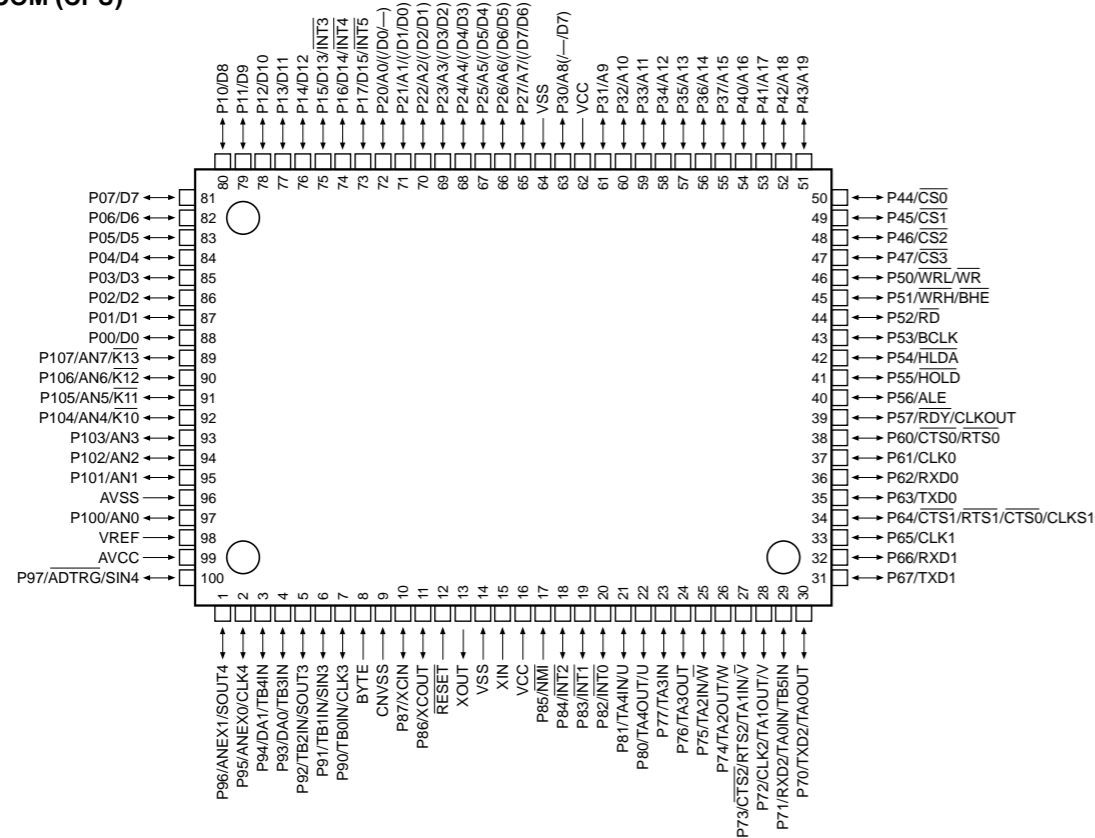
O: Digital Output

Ot: 3-State Output

I/O: Digital Input/Output

I(+)/O: Pulled up for input,not pulled up for output

IC306: M30622MHP-199FP (DIGITAL P.C.B)
16 bit μ-COM (CPU)



No.	Name	Type	I/O	Function		
				Function	Name	
1	P96	SOUT4	OUT	disp	DTFD	FL Driver TxD
2	P95	CLK4	OUT	disp	CKFD	FL Driver Clock
3	P94	DA1				
4	P93	DA0	OUT	amp	FAN	Fan drive D-A OUT
5	P92	SOUT3	OUT	dsp	SDM	YSS TxD
6	P91	SIN3	IN	dsp	SDD	YSS RxD
7	P90	CLK3	OUT	dsp	SCK	YSS Clock
8	BYTE				BYTE	(Vss)
9	CNVss				CNVss	Vss usually / Vcc when writing Flash
10	P87	P87	OUT	dsp	/CSY	YSS CE
11	P86	P86	OUT	dsp	/ICY	YSS Reset
12	RESET				RESET	
13	Xout		OUT			Microprocessor Clock
14	Vss				(GND)	
15	Xin		IN			Microprocessor Clock
16	Vcc				Vcc (+5V)	
17	/NMI				(Vcc)	
18	P84	INT2	IN	dsp	INTDSP	
19	P83	INT1	IN	dsp	INTFCT	
20	P82	INT0	IN	disp	VSY	Vertical synchronous detection Down Edge
21	P81	P81	OUT	dsp	/CSDIR	DIR CS
22	P80	P80	OUT	dsp	/CSADM	ADM CS
23	P77	P77	OUT	dsp	/CSDAC	DAC CS
24	P76	P76	OUT	dsp	/ICD	DIR Reset
25	P75	P75	OUT	dsp	/ICADM	ADM Reset
26	P74	P74	IN	dsp	VBIT	
27	P73	P73	OUT	flash	/CEEEP	Flash writing CE
28	P72	CLK2	OUT	amp	CKBD	BD38xx system Serial Clock
29	P71					
30	P70	TxD2	OUT	amp	DTBD	Data line for BD38xx system control Required Pull Up
31	P67	TXD1	OUT	flash	TXDF	Flash writing TxD
32	P66	RXD1	IN	flash	RXDF	Flash writing RxD
33	P65	CLK1	OUT	flash	CLKF	Flash writing Clock
34	P64	P64	OUT	flash	BSY	Flash writing Busy

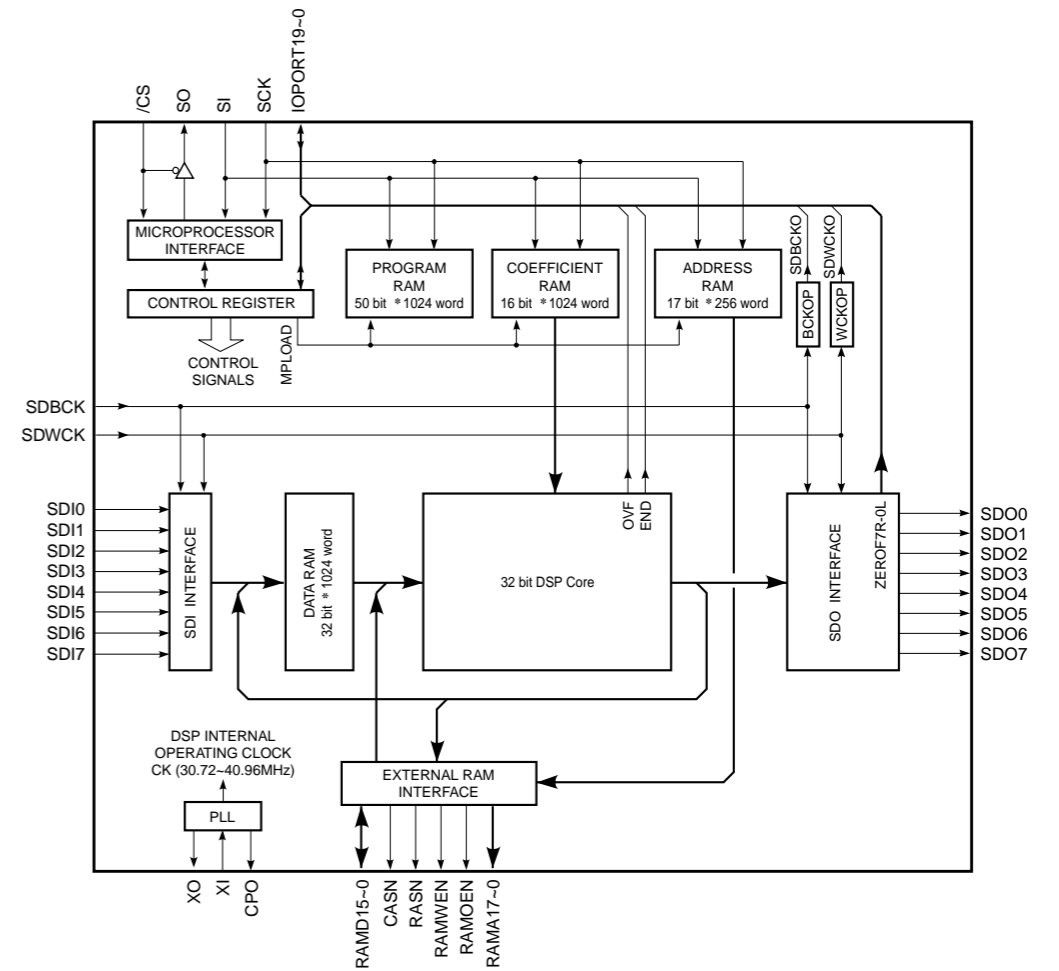
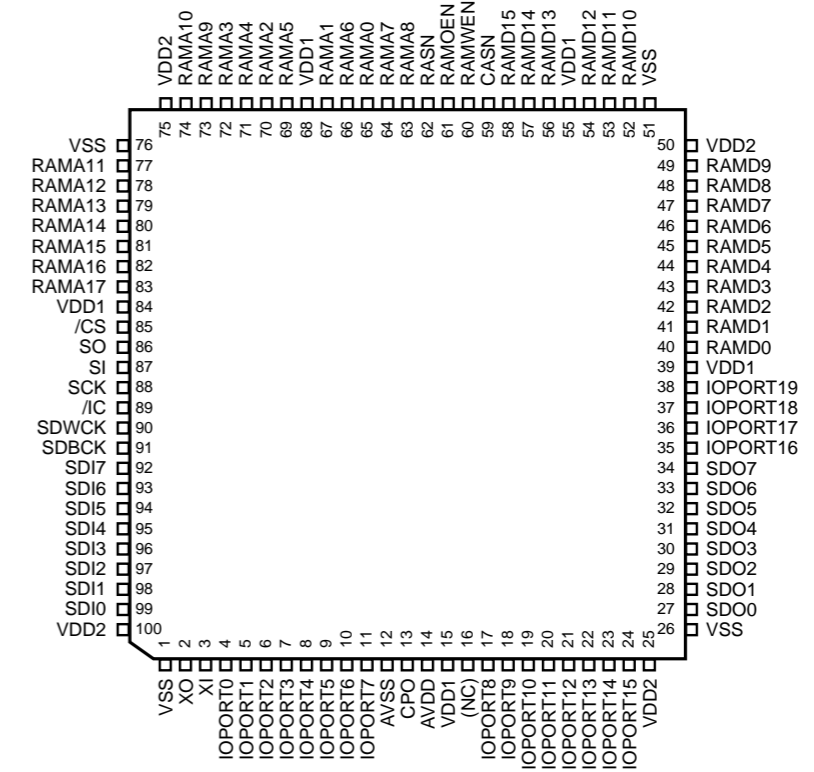
IC306: M30622MHP-199FP (DIGITAL P.C.B)
16 bit μ-COM (CPU)

No.	Name	Type	I/O	Function		
				Function	Name	
35	P63	TXD0	OUT	tun	SDTR	RDS / OSD TxD
36	P62	RXD0	IN	tun	SDRR	RDS IC RxD
37	P61	CLK0	OUT	tun	SCKR	RDS / OSD Clock
38	P60					
39	P57	P57	IN	uop	/HP	HEAD PHONE detection H : Connection
40	P56	P56	OUT	amp	HPMT	Headphone Mute L : Mute
41	P55		IN	flash	/EMP	(GND) Flash write-in Low specification
42	P54	P54	OUT	amp	/CMT	Mute Center L : Mute
43	P53	P53	OUT	amp	/MTSW	Mute Subwoofer L : MUTE
44	P52	P52	OUT	osd	I/E	External / Internal synchronous output L : External H : Internal
45	P51	P51	OUT	amp	FRMT	Front Ch Mute L : Mute
46	P50	/CE	IN	flash	/CE	(Vcc) Flash writing (Hi)
47	P47	P47	OUT	amp	HPF	Head Phone Amp. Filter L : Main Large
48	P46	P46	OUT	amp	MSRT	Main Signal Root L : DSP H : Analog
49	P45	P45	OUT	amp	GAIN	Gain Control H : A2 Gain
50	P44	P44	OUT	amp	VIA	Video change A / (SCART) BA1_A
51	P43	P43	OUT	amp	VIB	Video change B / (SCART) BA1_B
52	P42	P42	OUT	amp	VIC	Video change C / (SCART) BA2_A
53	P41	P41	OUT	amp	CUI	CUI On / Off / (SCART) BA2_B L : CUI side
54	P40	P40	OUT	amp	/VR1	VCR Rec Out Mute / (SCART) BLANK L : Mute On
55	P37	P37	OUT	amp	STBY	SCART terminal Active control H : Active
56	P36	P36	OUT	amp	/SWMIX	SWFR Mix H : Mix
57	P35	P35	OUT	amp	/CMIX	Center Mix H : Mix
58	P34	P34	OUT	osd	/CEOSD	OSD Enable L : Active
59	P33	P33	IN-OUT	tuner	RDSE	RDS Enable / Destination distinction 2
60	P32	P32	IN-OUT	tuner	CEP	PLL IC Chip Enable OUT / Destination judgment 1 L : Address H : Data
61	P31	P31	OUT	tuner	SDTP	PLL IC TxD
62	Vcc				Vcc	
63	P30	P30	IN-OUT	tuner	SCKP	PLL IC CLOCK / Destination judgment 0
64	Vss				Vss (GND)	
65	P27	P27	IN	tuner	SDRP	PLL IC RxD
66	P26	P26	OUT	tuner	TMT	TUNER MUTE OUT H : Mute On
67	P25	P25	IN	tuner	TUNED	STATION IN L : Station available
68	P24	P24	IN	tuner	/ST	STEREO / MONO IN L : STEREO
69	P23	P23	OUT	amp	PRY	Power Relay output H : Relay On
70	P22					
71	P21					
72	P20					
73	P17	INT5	IN	amp	PDET	Power Down DETECT INT IN Down Edge
74	P16	INT4	IN	uop	PSW	Standby SW IN Up Edge
75	P15	INT3	IN	uop	REM1	Remo. Con. IN Down Edge
76	P14	P14	OUT	amp	UCDE	UCD Enable L : Disable
77	P13	P13	IN-OUT	amp	UCDF	UCD Clock Frequency change (3 State) IN : Self-excited
78	P12					
79	P11					
80	P10	P10	IN	amp	PRI	UCD Over-current detection
81	P07					
82	P06					
83	P05	P05	OUT	disp	/BLK	FL Driver Reset (Light off) L : Reset
84	P04					
85	P03					
86	P02					
87	P01	P01	IN	amp	ACPRT	Transformer half wave short detection
88	P00	P00	IN	uop	VRA	Rotary Encoder A IN
89	P107	P107	IN	uop	VRB	Rotary Encoder B IN
90	P106	AN6	A-D IN	amp	UCDTHM	UCD Temperature detection
91	P105	AN5	A-D IN	amp	PRD	DC detection
92	P104					
93	P103	AN3	A-D IN	amp	THM	Temperature detection
94	P102	AN2	A-D IN	uop	ADKEY0	Operation button detection
95	P101					
96	AVss				Avss (AD GND)	
97	P100					
98	Vref				Vref (AD V Reference)	
99	AVcc				Avcc (AD Power)	
100	P97	P97	OUT	disp	CEFD	FL Driver CE OUT

• Key Input (A-D) Pull-Up Resistance 10 k-ohms

ohm	0.0	+1.0k	+1.5k	+3.3k
V	~0.3	~1.0	~1.8	~2.4
ADKEY0 (94Pin, AN2)	ENTER	INPUT	DSP	TUNER

IC307: YSS930-SZ (DIGITAL P.C.B)
DSP



IC307: YSS930-SZ (DIGITAL P.C.B)

DSP

No.	Name	I/O	Function
1	VSS	-	Digital ground terminal
2	XO	O	Terminal for connecting crystal oscillator
3	XI	I	Terminal for connecting crystal oscillator (12.288 ~15.0MHz)
4	IOPORT0	I+/O	General purpose input/output terminal,SD00 Lch zero-flag output terminal,input/output terminal for branching program conditions
5	IOPORT1	I+/O	General purpose input/output terminal,SD00 Rch zero-flag output terminal,input/output terminal for branching program conditions
6	IOPORT2	I+/O	General purpose input/output terminal,SD01 Lch zero-flag output terminal,input/output terminal for branching program conditions
7	IOPORT3	I+/O	General purpose input/output terminal,SD01 Rch zero-flag output terminal,input/output terminal for branching program conditions
8	IOPORT4	I+/O	General purpose input/output terminal,SD02 Lch zero-flag output terminal,input/output terminal for branching program conditions
9	IOPORT5	I+/O	General purpose input/output terminal,SD02 Rch zero-flag output terminal,input/output terminal for branching program conditions
10	IOPORT6	I+/O	General purpose input/output terminal,SD03 Lch zero-flag output terminal,input/output terminal for branching program conditions
11	IOPORT7	I+/O	General purpose input/output terminal,SD03 Rch zero-flag output terminal,input/output terminal for branching program conditions
12	AVSS	-	Analog ground terminal (for PLL)
13	CPO	A	Terminal for connecting PLL filter
14	AVDD	-	+2.5V digital power supply (for PLL)
15	VDD1	-	+3.3V digital power supply (for input/output terminal)
16	(NC)	-	(Unconnected)
17	IOPORT8	I+/O	General purpose input/output terminal,SD04 Lch zero-flag output terminal
18	IOPORT9	I+/O	General purpose input/output terminal,SD04 Rch zero-flag output terminal
19	IOPORT10	I+/O	General purpose input/output terminal,SD05 Lch zero-flag output terminal
20	IOPORT11	I+/O	General purpose input/output terminal,SD05 Rch zero-flag output terminal
21	IOPORT12	I+/O	General purpose input/output terminal,SD06 Lch zero-flag output terminal,input terminal 0 for chip address setting
22	IOPORT13	I+/O	General purpose input/output terminal,SD06 Rch zero-flag output terminal,input terminal 1 for chip address setting
23	IOPORT14	I+/O	General purpose input/output terminal,SD07 Lch zero-flag output terminal,input terminal 2 for chip address setting
24	IOPORT15	I+/O	General purpose input/output terminal,SD07 Rch zero-flag output terminal,input terminal 3 for chip address setting
25	VDD2	-	+2.5V digital power supply (for internal circuit)
26	VSS	-	Digital ground terminal
27	SDO0	O	PCM output terminal
28	SDO1	O	PCM output terminal
29	SDO2	O	PCM output terminal
30	SDO3	O	PCM output terminal
31	SDO4	O	PCM output terminal
32	SDO5	O	PCM output terminal
33	SDO6	O	PCM output terminal
34	SDO7	O	PCM output terminal
35	IOPORT16	I+/O	General purpose input/output terminal,overflow detect output terminal
36	IOPORT17	I+/O	General purpose input/output terminal,program end detect output terminal
37	IOPORT18	I+/O	General purpose input/output terminal,64fs clock output terminal
38	IOPORT19	I+/O	General purpose input/output terminal,fs clock output terminal
39	VDD1	-	+3.3V digital power supply (for input/output terminal)
40	RAMD0	I+/O	Data input/output terminal 0 for external memory
41	RAMD1	I+/O	Data input/output terminal 1 for external memory
42	RAMD2	I+/O	Data input/output terminal 2 for external memory
43	RAMD3	I+/O	Data input/output terminal 3 for external memory
44	RAMD4	I+/O	Data input/output terminal 4 for external memory
45	RAMD5	I+/O	Data input/output terminal 5 for external memory
46	RAMD6	I+/O	Data input/output terminal 6 for external memory
47	RAMD7	I+/O	Data input/output terminal 7 for external memory
48	RAMD8	I+/O	Data input/output terminal 8 for external memory
49	RAMD9	I+/O	Data input/output terminal 9 for external memory
50	VDD2	-	+2.5V digital power supply (for internal circuit)
51	VSS	-	Digital ground terminal
52	RAMD10	I+/O	Data input/output terminal 10 for external memory
53	RAMD11	I+/O	Data input/output terminal 11 for external memory
54	RMD12	I+/O	Data input/output terminal 12 for external memory
55	VDD1	-I+	+3.3V digital power supply (for input/output terminal)
56	RAMD13	/O	Data input/output terminal 13 for external memory

IC307: YSS930-SZ (DIGITAL P.C.B)

DSP

No.	Name	I/O	Function
57	RAMD14	I+/O	Data input/output terminal 14 for external memory
58	RAMD15	I+/O	Data input/output terminal 15 for external memory
59	CASN	O	Column address strobe output terminal for external DRAM
60	RAMWEN	O	Write enable output terminal for external memory
61	RAMOEN	O	Output enable output terminal for external memory
62	RASN	O	Low address strobe output terminal for external DRAM
63	RAMA8	O	Address output terminal 8 for external memory
64	RAMA7	O	Address output terminal 7 for external memory
65	RAMA0	O	Address output terminal 0 for external memory
66	RAMA6	O	Address output terminal 6 for external memory
67	RAMA1	O	Address output terminal 1 for external memory
68	VDD1	-	+3.3V digital power supply (for input/output terminal)
69	RAMA5	O	Address output terminal 5 for external memory
70	RAMA2	O	Address output terminal 2 for external memory
71	RAMA4	O	Address output terminal 4 for external memory
72	RAMA3	O	Address output terminal 3 for external memory
73	RAMA9	O	Address output terminal 9 for external memory
74	RAMA10	O	Address output terminal 10 for external memory
75	VDD2	-	+2.5V digital power supply (for internal circuit)
76	VSS	-	Digital ground terminal
77	RAMA11	O	Address output terminal 11 for external memory
78	RAMA12	O	Address output terminal 12 for external memory
79	RAMA13	O	Address output terminal 13 for external memory
80	RAMA14	O	Address output terminal 14 for external memory
81	RAMA15	O	Address output terminal 15 for external memory
82	RAMA16	O	Address output terminal 16 for external memory
83	RAMA17	O	Address output terminal 17 for external memory
84	VDD1	-	+3.3V digital power supply (for input/output terminal)
85	/CS	Is	Microprocessor interface chip select input terminal
86	SO	Ot	Microprocessor interface data output terminal
87	SI	Is	Microprocessor interface data input terminal
88	SCK	Is	Microprocessor interface clock input terminal
89	/IC	Is	Initial clear input terminal
90	SDWCK	I	Word clock (fs)input terminal for SDI/SDO interface
91	SDBCK	Is	Bit clock (64fs)input terminal for SDI/SDO interface
92	SDI7	I	PCM input terminal
93	SDI6	I	PCM input terminal
94	SDI5	I	PCM input terminal
95	SDI4	I	PCM input terminal
96	SDI3	I	PCM input terminal
97	SDI2	I	PCM input terminal
98	SDI1	I	PCM input terminal
99	SDI0	I	PCM input terminal
100	VDD2	-	+2.5V digital power supply (for internal circuit)

Is: Schmidt trigger input terminal

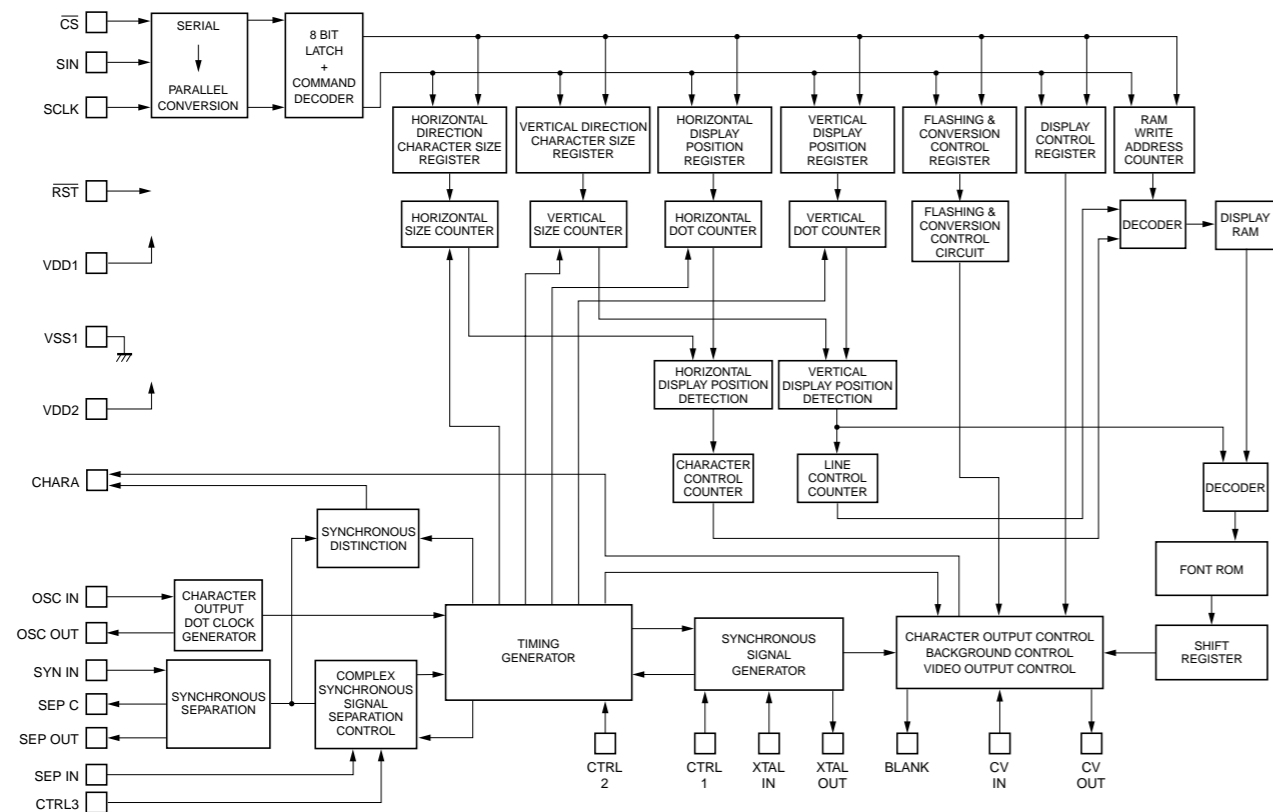
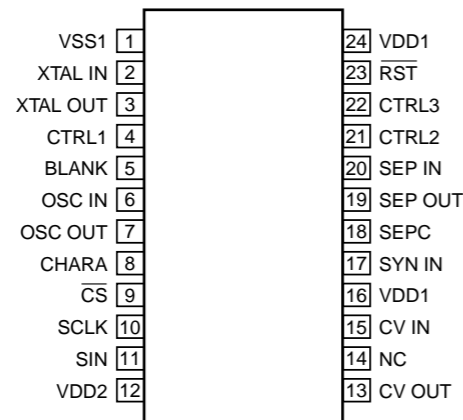
I+: Input terminal with pull-up resistor

O: digital output terminal

Ot: Tri-state digital output terminal

A: Analog terminal

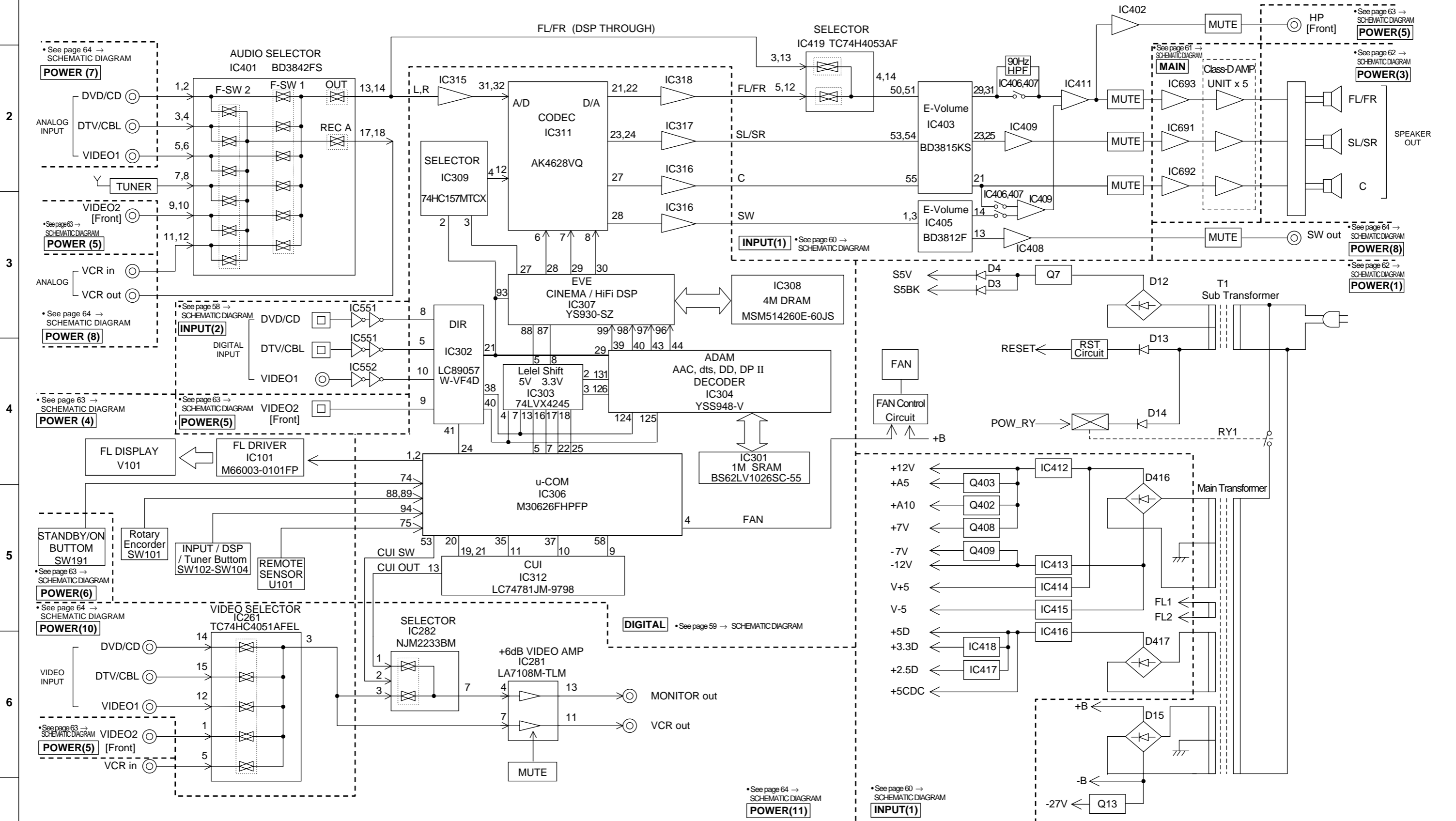
IC312: LC74781JM-9798 (DIGITAL P.C.B)
On-screen Display Controller



IC312: LC74781JM-9798 (DIGITAL P.C.B)
On-screen Display Controller

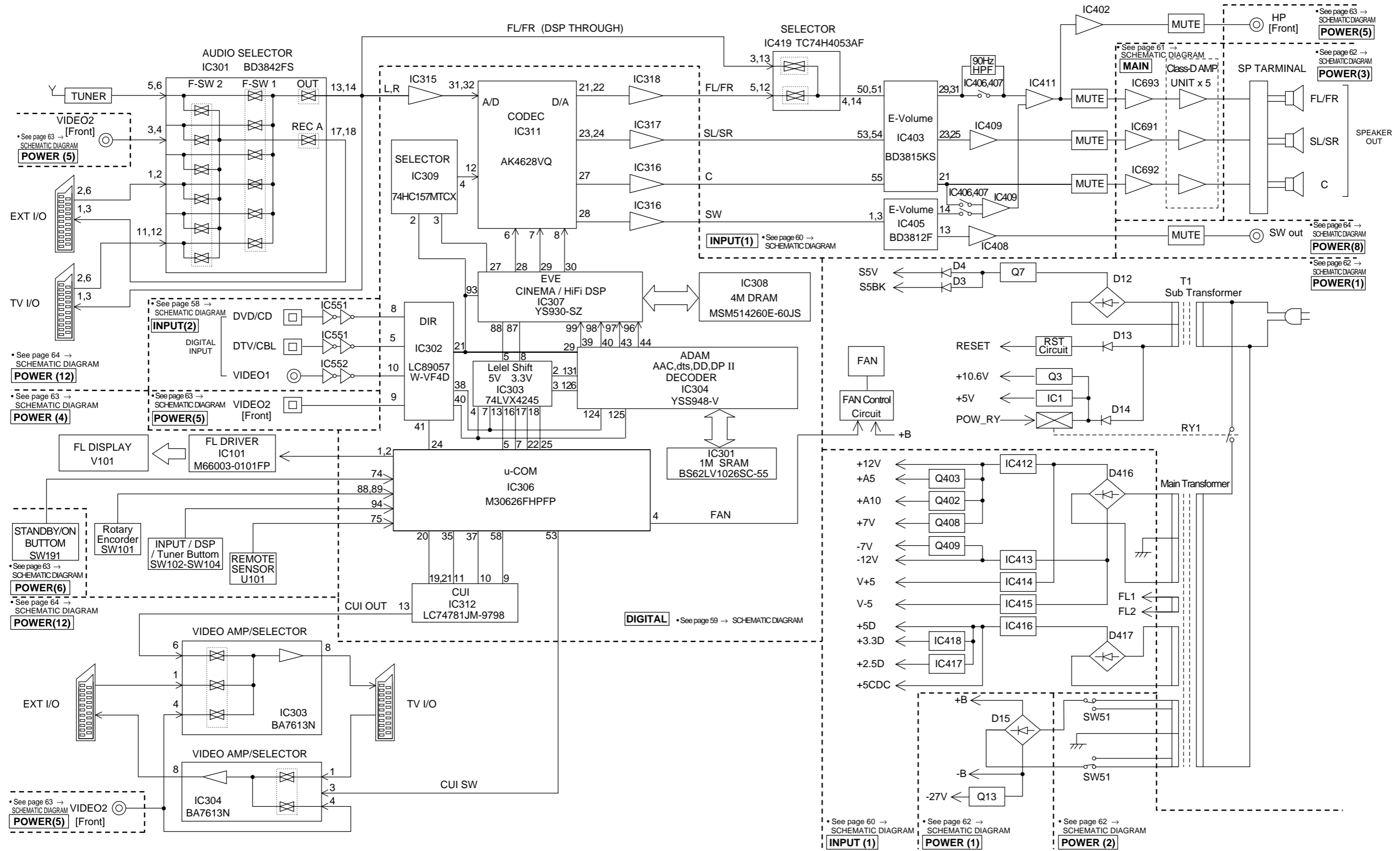
Pin No.	Symbol	Terminal name	Function
1	VSS1	Ground terminal	Connection to GND (Digital system ground terminal)
2	XTAL IN	Crystal oscillation terminal	Terminal to connect the crystal of the crystal oscillator for internal synchronous signal generation and a capacitor or to input an external clock. (2fsc or 4fsc)
3	XTAL OUT		
4	CTRL1	Crystal oscillation input switching terminal	Switching terminal between the mode to input a clock externally and the mode for crystal oscillation. [L] = Crystal oscillation, [H] = External clock input
5	BLANK	Blank output terminal	Terminal to output the blank signal (character and bordering OR signal) (MOD0 : complex synchronous signal output at [H]). When resetting (RST terminal = [L]), a crystal oscillation clock is output (but not when resetting by the command).
6	OSC IN	LC oscillation terminal	Terminal to connect the coil of the oscillator for character output dot clock generation and a capacitor.
7	OSC OUT		
8	CHARA	Character output terminal	Terminal to output a character signal (MOD0 : It becomes an output terminal to judge the external synchronous signal at [H] and outputs the result after judging existence of the external synchronous signal. When a synchronous signal exists, [H] is output.) When resetting (RST terminal = [L]), a dot clock (LC oscillation) is output (but it is not output when reset by the command.)
9	/CS	Enable input terminal	Serial data input enable input terminal. The serial data input becomes enable at [L]. A pull-up resistor is built in (hysteresis input).
10	SCLK	Clock input terminal	Input terminal of clock for serial data input. A pull-up resistor is built in (hysteresis input).
11	SIN	Data input terminal	Serial data input terminal. A pull-up resistor is built in (hysteresis input).
12	VDD2	Power supply terminal	Power supply terminal for complex image signal level adjustment (Power supply for analog system)
13	CV OUT	Video signal output terminal	Output terminal for complex image signal.
14	NC		Connected to GND or unconnected.
15	CV IN	Video signal input terminal	Input terminal for complex image signal.
16	VDD1	Power supply terminal	Power supply terminal (+5V : power supply for digital system)
17	SYN IN	Synchronous separation circuit input terminal	Video signal input terminal of the built-in synchronous separation circuit (When the built-in synchronous separation circuit is not used, it becomes a horizontal synchronous signal input or a complex synchronous signal input.)
18	SEP C	Synchronous separation circuit bias voltage terminal	Terminal to monitor built-in synchronous separation circuit bias voltage.
19	SEP OUT	Complex synchronous signal output terminal	Terminal to output a complex synchronous signal of built-in synchronous separation circuit ([H] when internally synchronized at MOD1 : [H], [L] output when externally synchronized) (When the built-in synchronous separation circuit is not used, SYNIN input signal is output.)
20	SEP IN	Vertical synchronous signal input terminal	Terminal to input a vertical synchronous signal by integrating the output signal of SEPOUT terminal. Connect the integration circuit between SEPOUT terminals. Fix it to VDD1 when not used.
21	CTRL2	NTSC/PAL-M switching input terminal	Pin setting has a priority over switching of NTSC/PAL/PAL-M/PAL-N method. The NTSC method is selected after [L]= reset. NTSC/PAL/PAL-M/PAL-N method setting by a command is effective. [H] = PAL-M method.
22	CTRL3	SEPIN input control terminal	Terminal to control whether or not to input VSYNC signal into SEPIN input terminal. [L] = VSYNC inputted, [H] = VSYNC not inputted.
23	/RST	Reset input terminal	System reset input terminal. A pull-up resistor is built in (hysteresis input).
24	VDD1	Power supply terminal (+5V)	Power supply terminal (+5V : power supply for digital system)

1 ■ BLOCK DIAGRAM (U, C, R, T, K, A, L, J models)



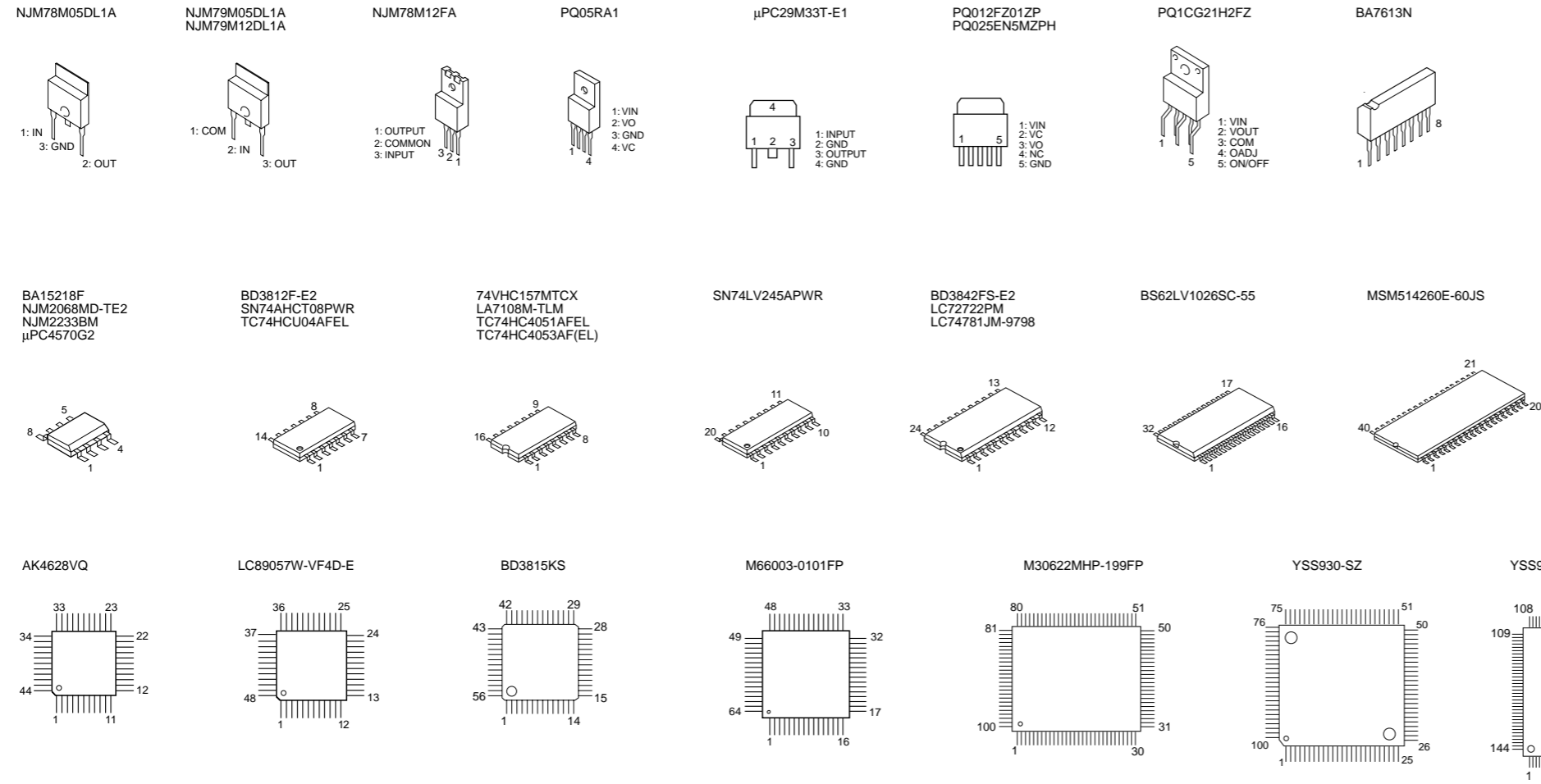
7

BLOCK DIAGRAM (B, G models)

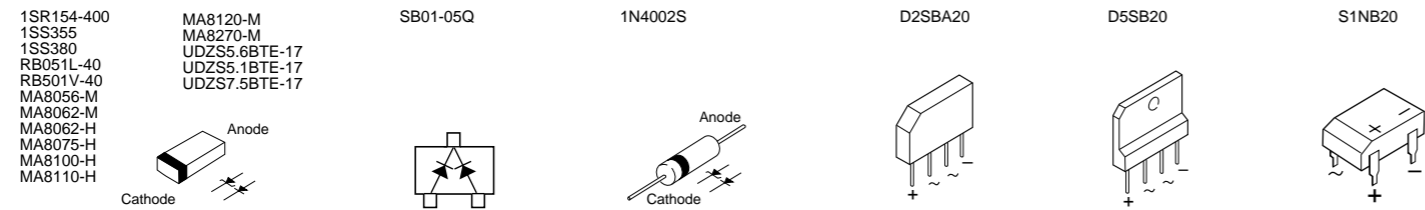


PIN CONNECTION DIAGRAM

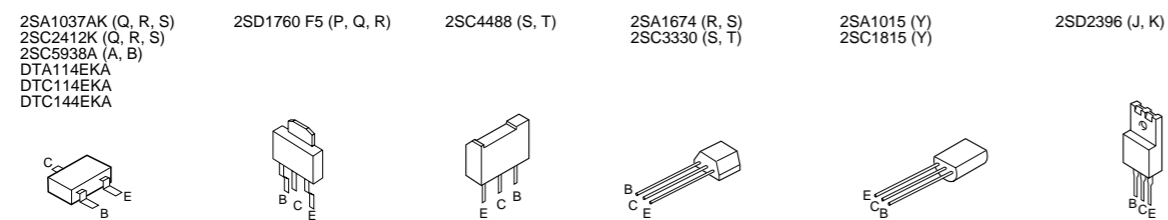
ICs



Diodes

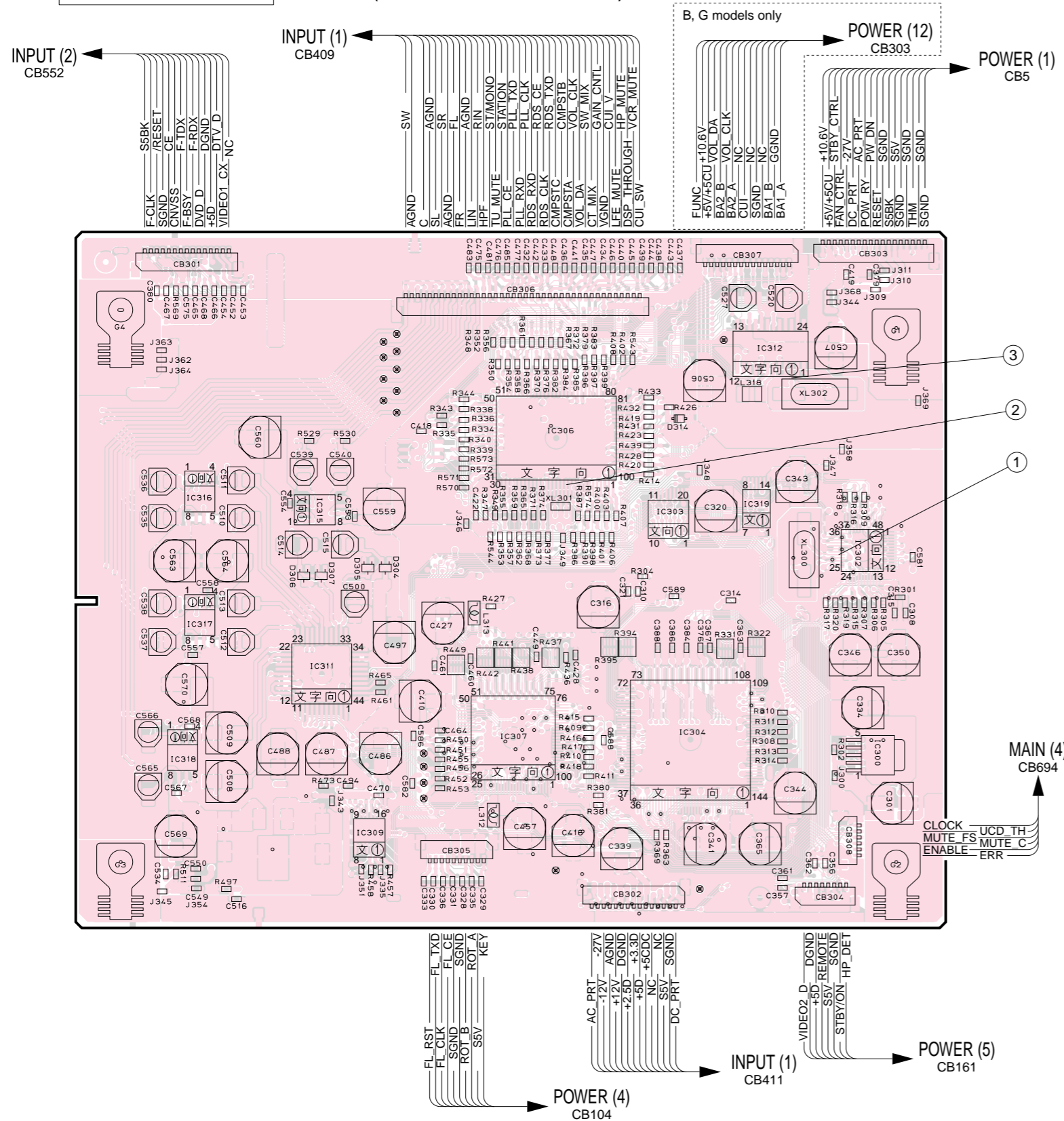


Transistors



PRINTED CIRCUIT BOARD (Foil side)

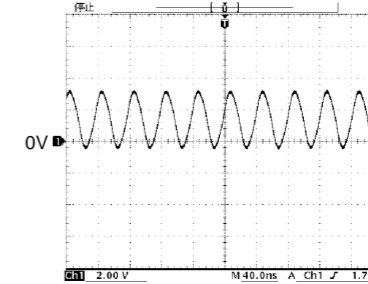
DIGITAL P. C. B. Side A (Lead Free Solder Used)



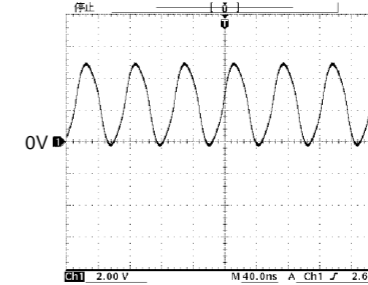
Semiconductor Location

Ref. No.	Location
D304	C4
D305	C4
D306	B4
D307	B4
D314	D3
IC300	E5
IC302	E4
IC303	D4
IC304	D5
IC306	D3
IC307	D5
IC309	D5
IC311	B5
IC312	E3
IC315	B4
IC316	B4
IC317	B4
IC318	B5
IC319	E4

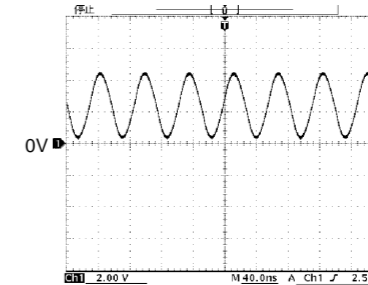
Point ① (Pin 29 of IC302)
V : 2V/div, H : 40nsec/div
DC, 1 : 1 probe



Point ② (Pin 13 of IC306)
V : 2V/div, H : 40nsec/div
DC, 1 : 1 probe



Point ③ (Pin 28 of IC312)
V : 2V/div, H : 40nsec/div
DC, 1 : 1 probe



NOTE)
The DIGITAL P.C.B. actually has a four-layer pattern structure (part face pattern, internal pattern 1, internal pattern 2 and solder face pattern) but it is shown as "part face pattern + solder face pattern" in this diagram.

NOTE)
DIGITAL P.C.B.は、4層パターン構造(部品面パターン、内層1パターン、内層2パターン、ハンダ面パターン)ですが、本図のDIGITAL P.C.B.は、部品面パターン+ハンダ面パターンを表記しております。

1 ■ PRINTED CIRCUIT BOARD (Foil side)

DIGITAL P. C. B. Side B (Lead Free Solder Used)

● Semiconductor Location

Ref. No.	Location
D300	G5
D301	G5
D302	F4
D303	F4
IC301	F5
IC308	E5

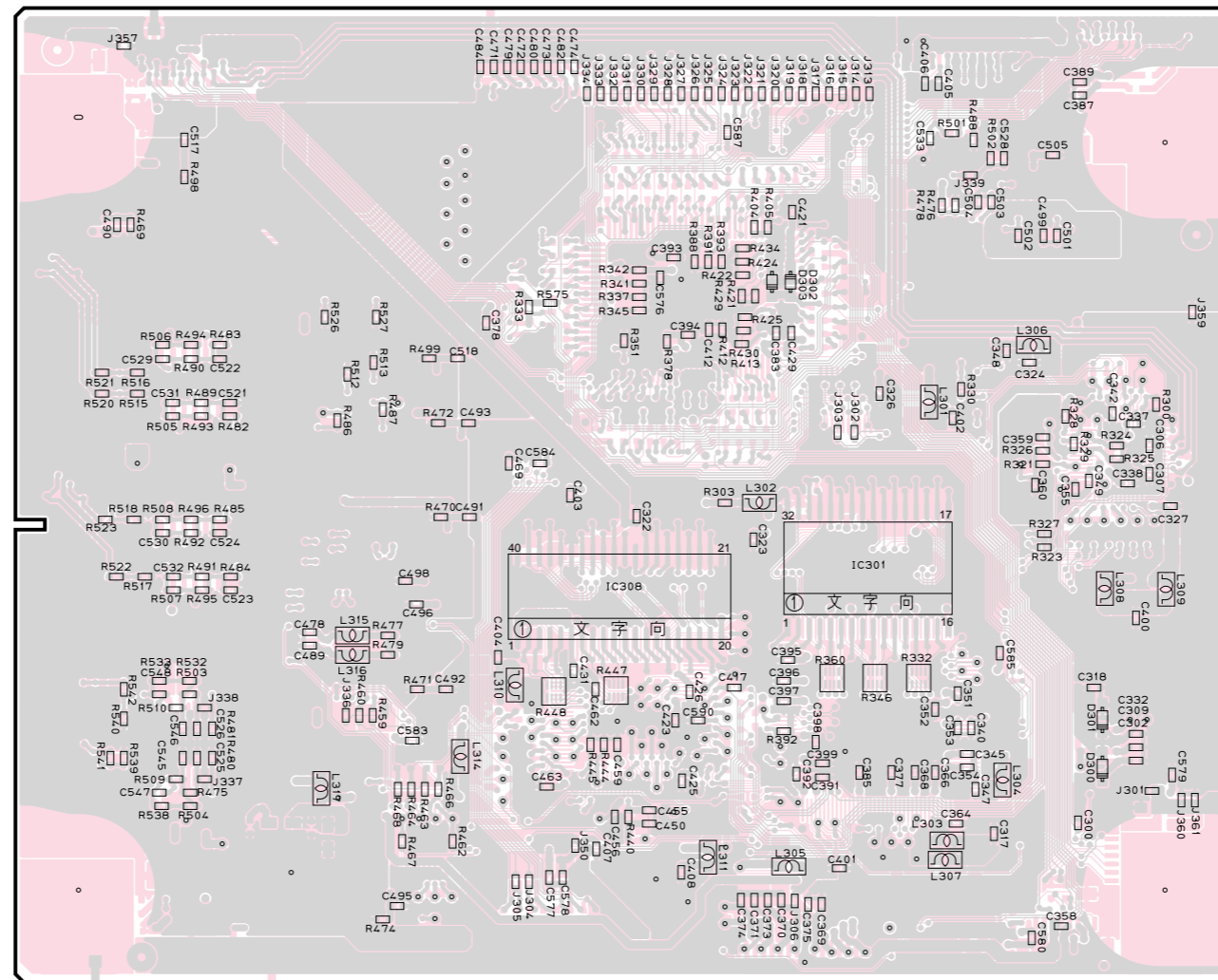
2

3

4

5

6



NOTE)

The DIGITAL P.C.B. actually has a four-layer pattern structure (part face pattern, internal pattern 1, internal pattern 2 and solder face pattern) but it is shown as "part face pattern + solder face pattern" in this diagram.

NOTE)

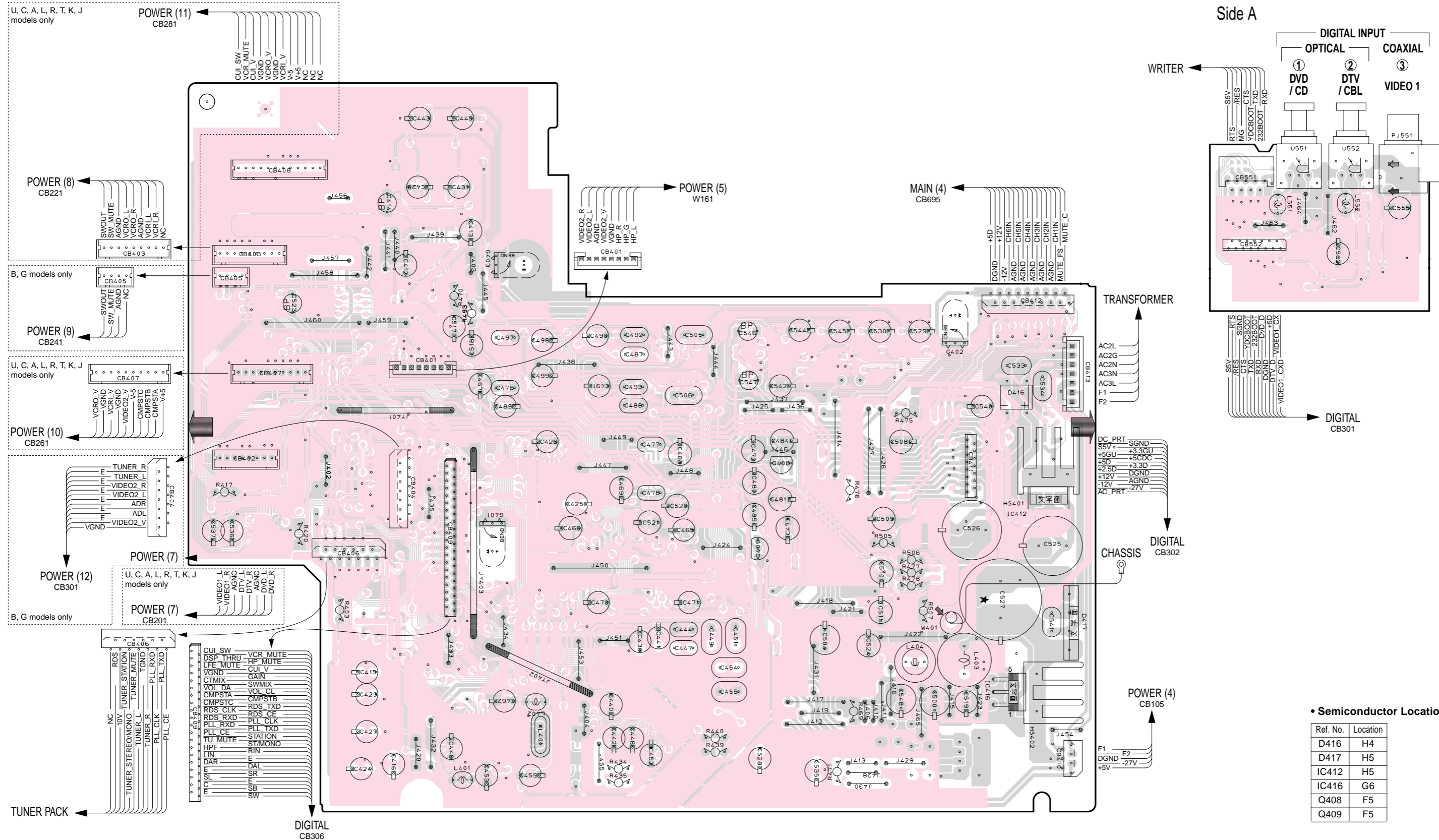
DIGITAL P.C.B.は、4層パターン構造(部品面パターン、内層1パターン、内層2パターン、ハンダ面パターン)ですが、本図のDIGITAL P.C.B.は、部品面パターン+ハンダ面パターンを表記しております。

7

PRINTED CIRCUIT BOARD (Foil side)

INPUT (1) P. C. B. Side A

INPUT (2) P. C. B. Side A

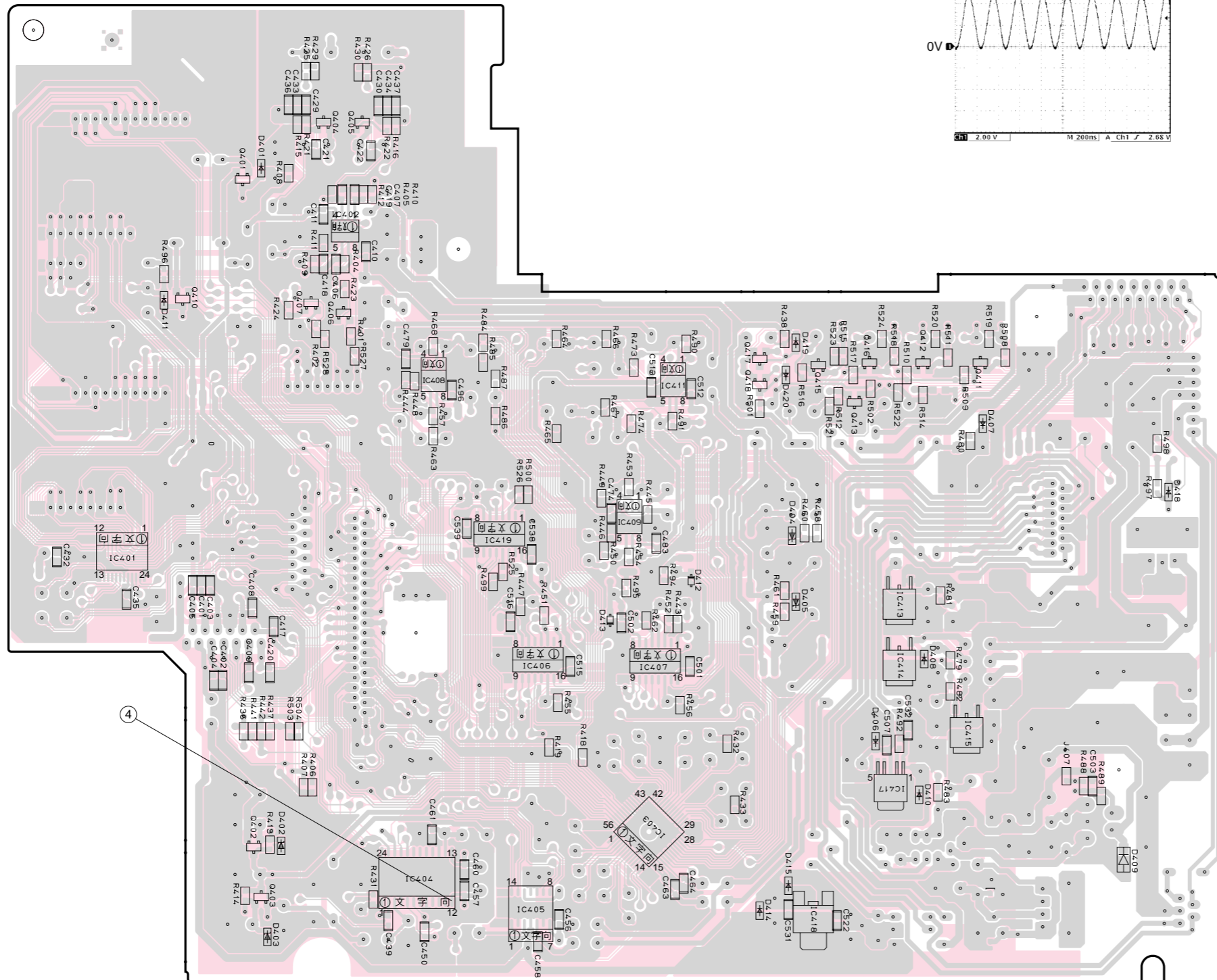


• Semiconductor Location

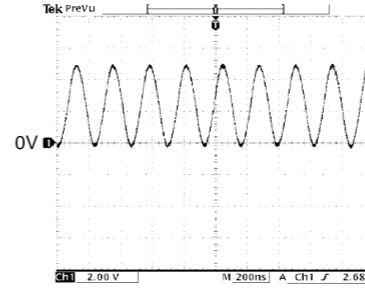
Ref. No.	Location
D416	H4
D417	H5
IC412	H5
IC416	G6
Q408	F5
Q409	F5

1 ■ PRINTED CIRCUIT BOARD (Foil side)

INPUT (1) P. C. B. Side B (Lead Free Solder Used)

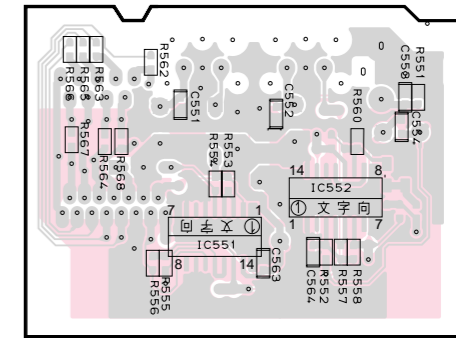


Point ④ (Pin 29 of IC302)
 V : 2V/div, H : 40nsec/div
 DC, 1 : 1 probe



INPUT (2) P. C. B.

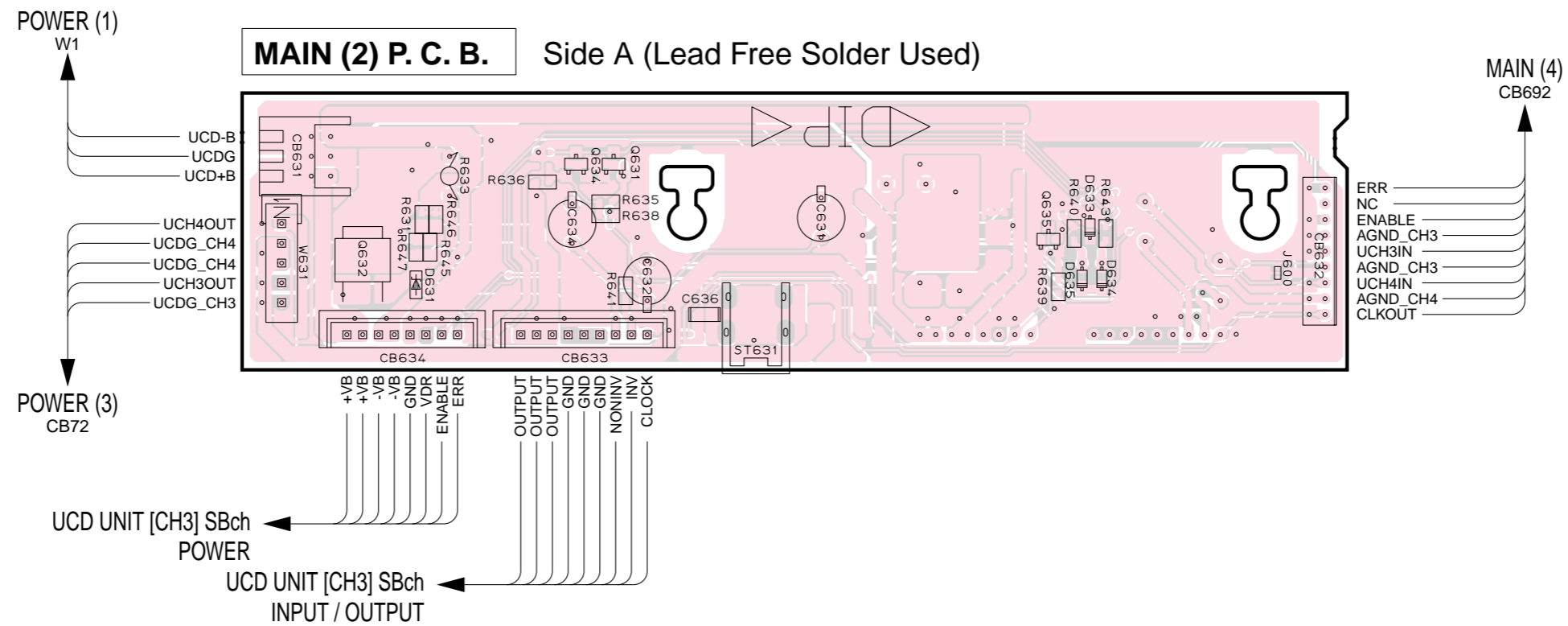
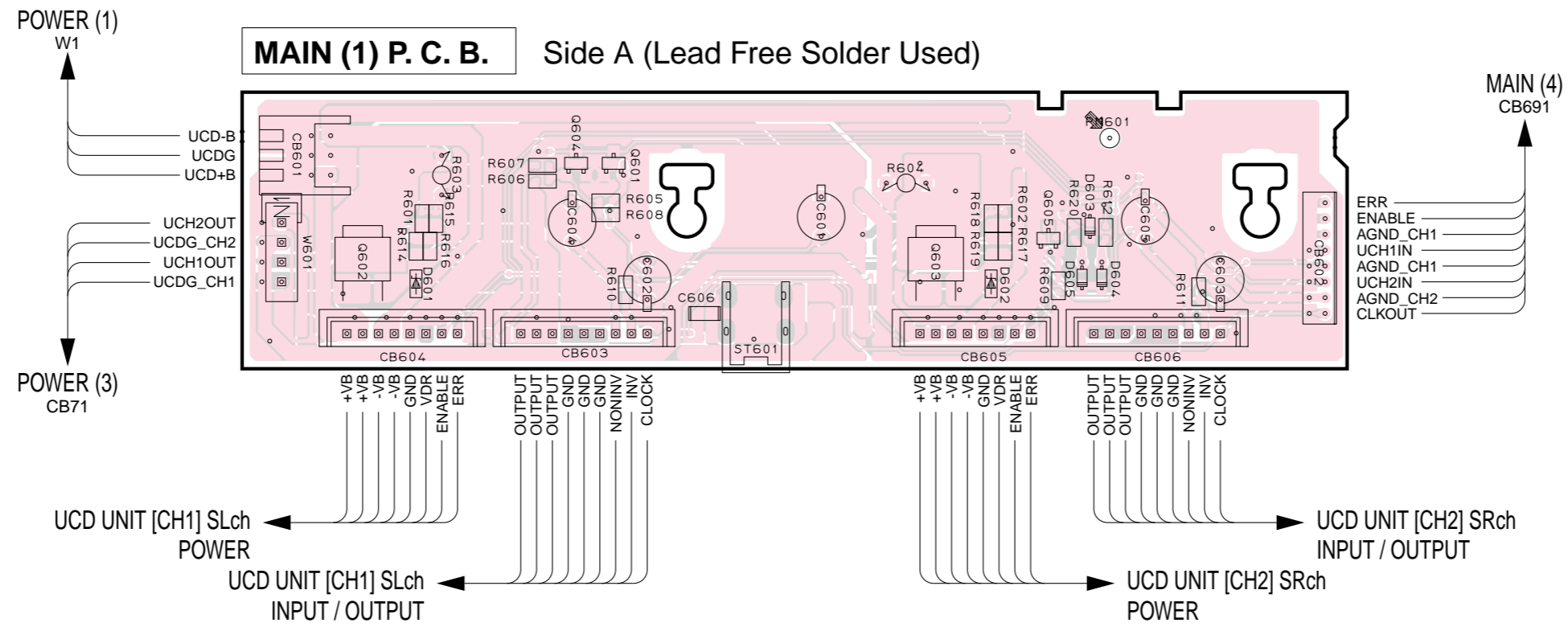
Side B (Lead Free Solder Used)



• Semiconductor Location

Ref. No.	Location	Ref. No.	Location
D401	C3	IC409	D5
D402	C6	IC411	E4
D403	C7	IC413	F5
D404	E5	IC414	F5
D405	E5	IC415	F6
D406	F6	IC417	F6
D407	F4	IC418	E7
D408	F5	IC419	D5
D409	G6	IC551	I3
D410	F6	IC552	I3
D411	B4	Q401	C3
D412	E5	Q402	C6
D413	D5	Q403	C6
D414	E6	Q404	C3
D415	E6	Q405	C3
D418	G4	Q406	C2
D419	E4	Q407	C2
D420	E4	Q410	B4
IC401	B5	Q411	F4
IC402	C3	Q412	F4
IC403	E6	Q413	F4
IC404	C7	Q415	E4
IC405	D6	Q416	F4
IC406	D5	Q417	E4
IC407	E5	Q418	E4
IC408	D4		

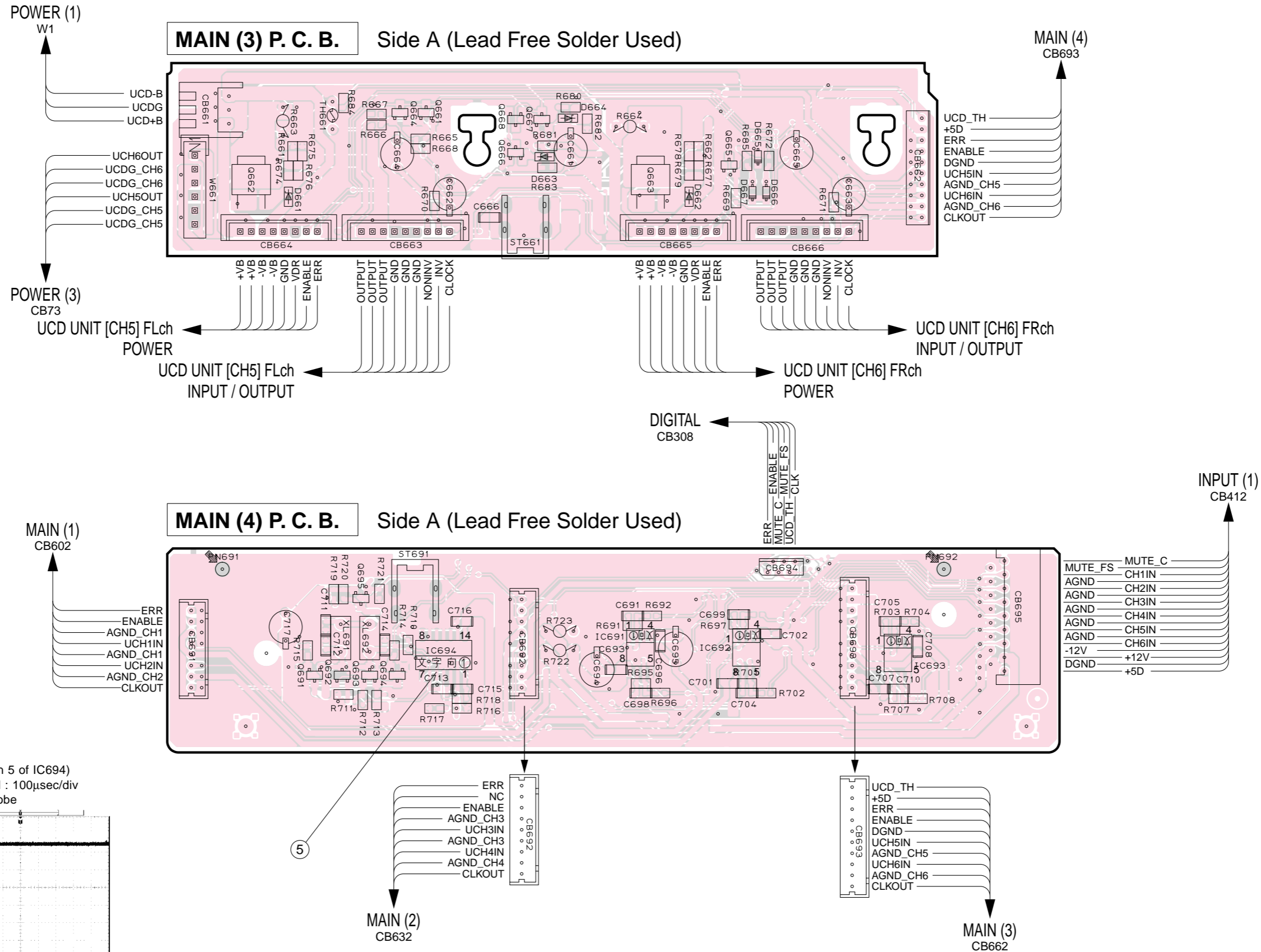
PRINTED CIRCUIT BOARD (Foil side)



• Semiconductor Location

Ref. No.	Location
D601	D3
D602	F3
D603	G2
D604	G3
D605	G3
D631	D5
D633	G5
D634	G5
D635	G5
Q601	E2
Q602	D3
Q603	F3
Q604	E2
Q605	G2
Q631	E5
Q632	D5
Q634	E5
Q635	G5

1 ■ PRINTED CIRCUIT BOARD (Foil side)

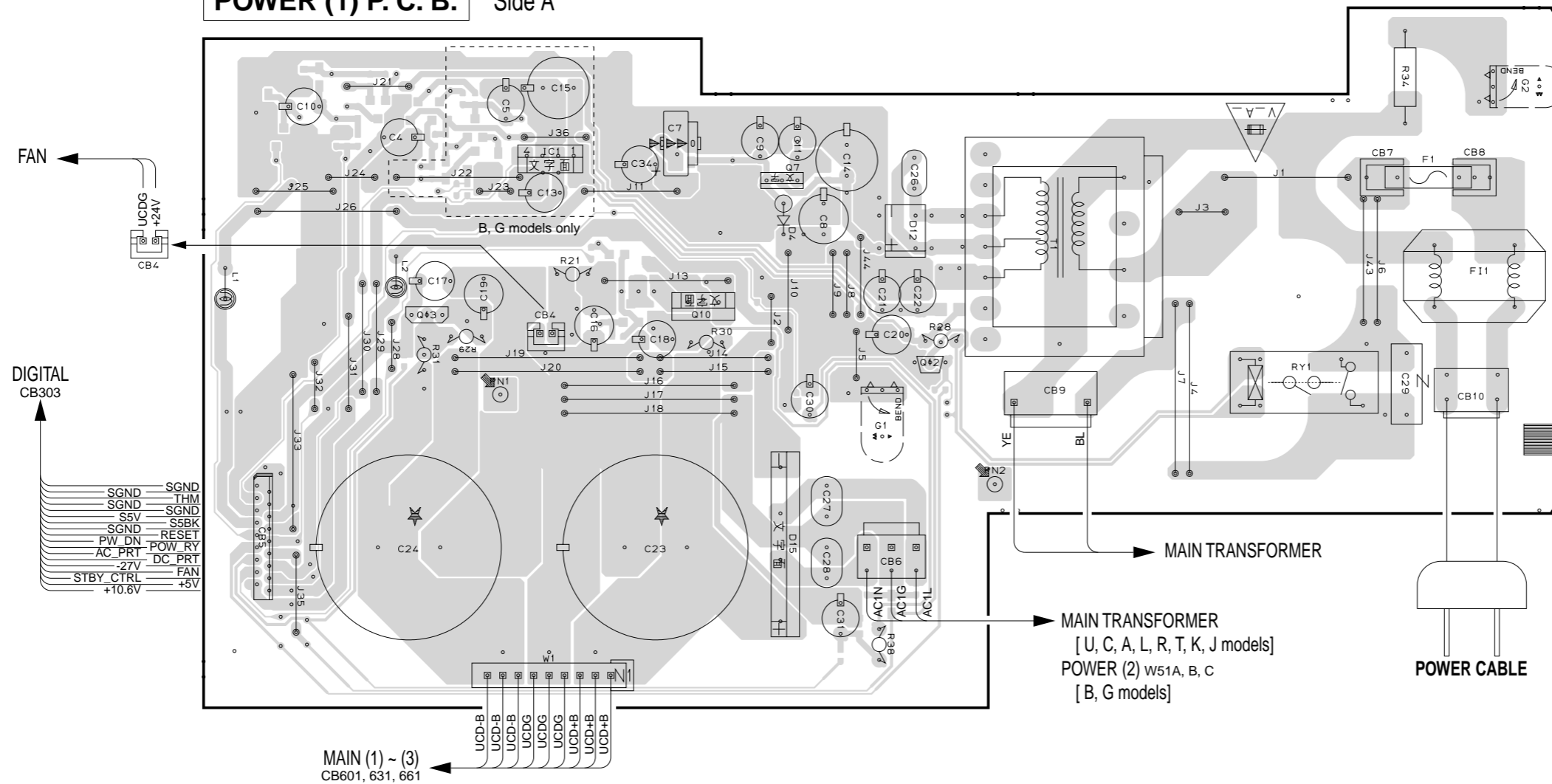


• Semiconductor Location

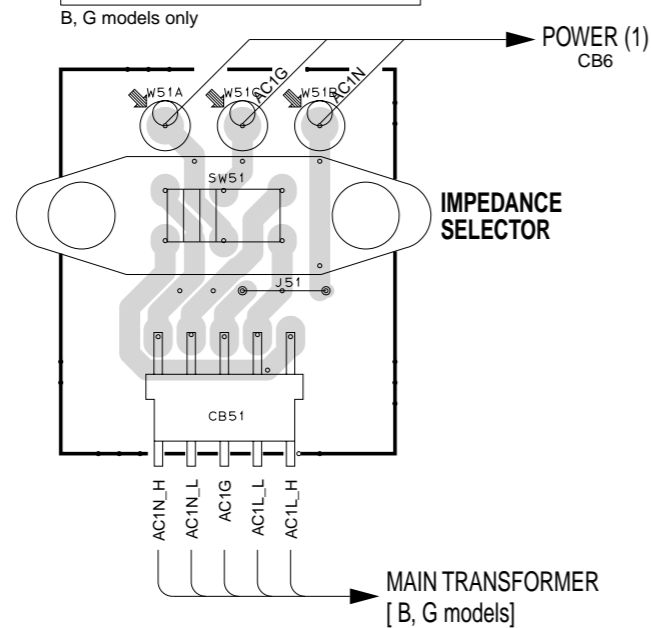
Ref. No.	Location
D661	C3
D662	F3
D663	E2
D664	E2
D665	F2
D666	F3
D667	F3
IC691	E5
IC692	F5
IC693	G5
IC694	D5
Q661	D2
Q662	C2
Q663	F2
Q664	D2
Q665	F2
Q666	E2
Q667	E2
Q668	E2
Q691	D5
Q692	D5
Q693	D5
Q694	D5
Q695	D5

PRINTED CIRCUIT BOARD (Foil side)

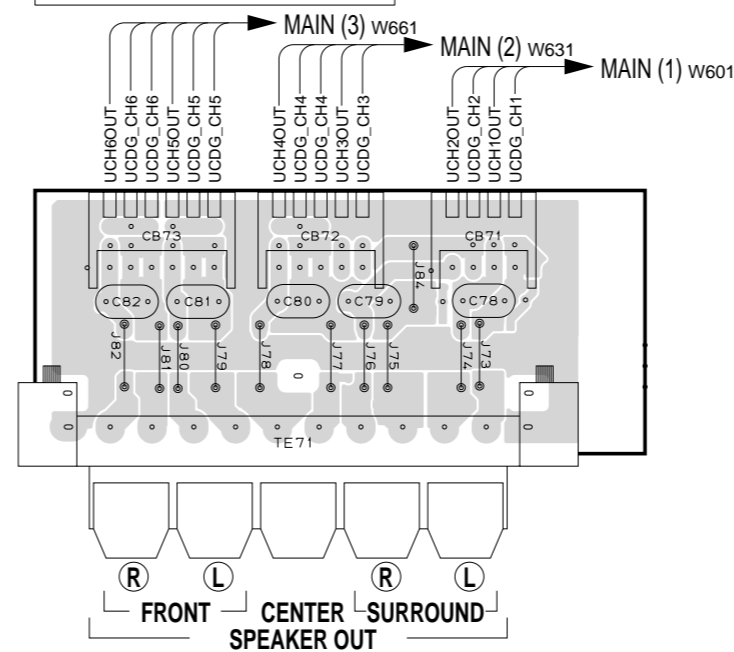
POWER (1) P. C. B. Side A



POWER (2) P. C. B. Side A



POWER (3) P. C. B. Side A

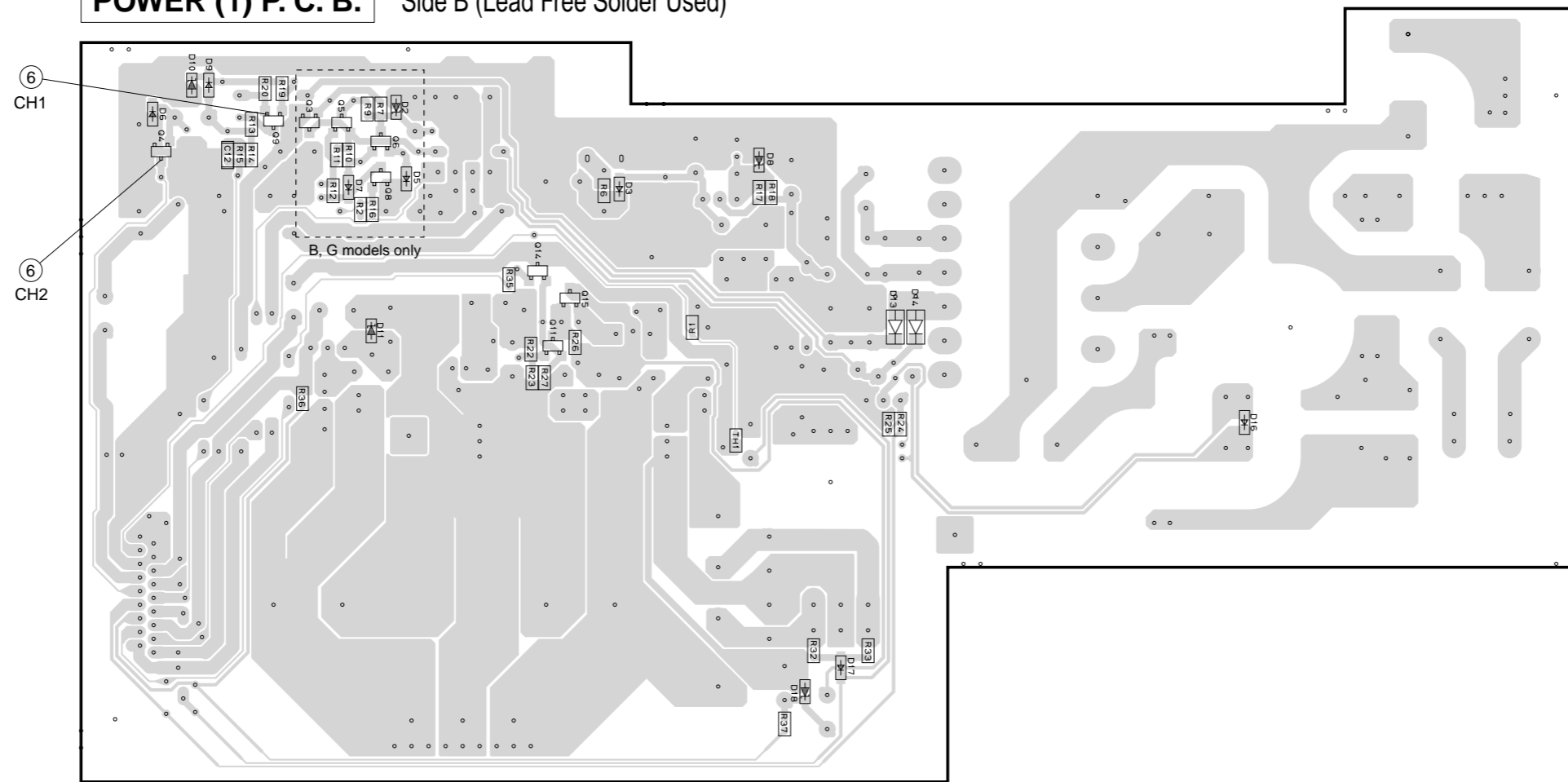


• Semiconductor Location

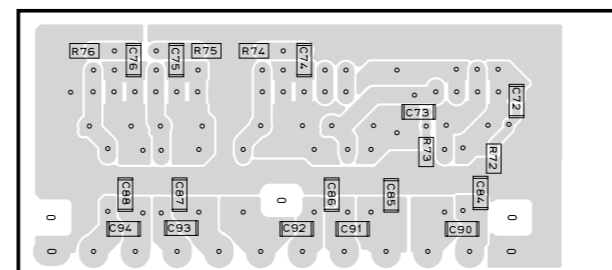
Ref. No.	Location
D4	E2
D12	F2
D15	E4
D20	C3
IC1	D2
Q7	E2
Q10	E3
Q12	F3
Q13	D3

1 ■ PRINTED CIRCUIT BOARD (Foil side)

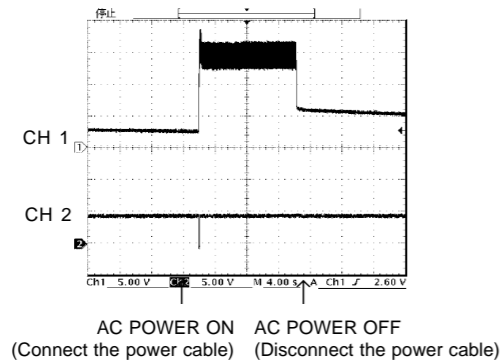
POWER (1) P. C. B. Side B (Lead Free Solder Used)



POWER (3) P. C. B. Side B (Lead Free Solder Used)



Point ⑥
 CH 1 : Emitter of Q9
 CH 2 : Collector of Q4
 V : 5V/div (CH 1)
 V : 5V/div (CH 2)
 DC, 1 : 1 probe, H : 4.0sec/div

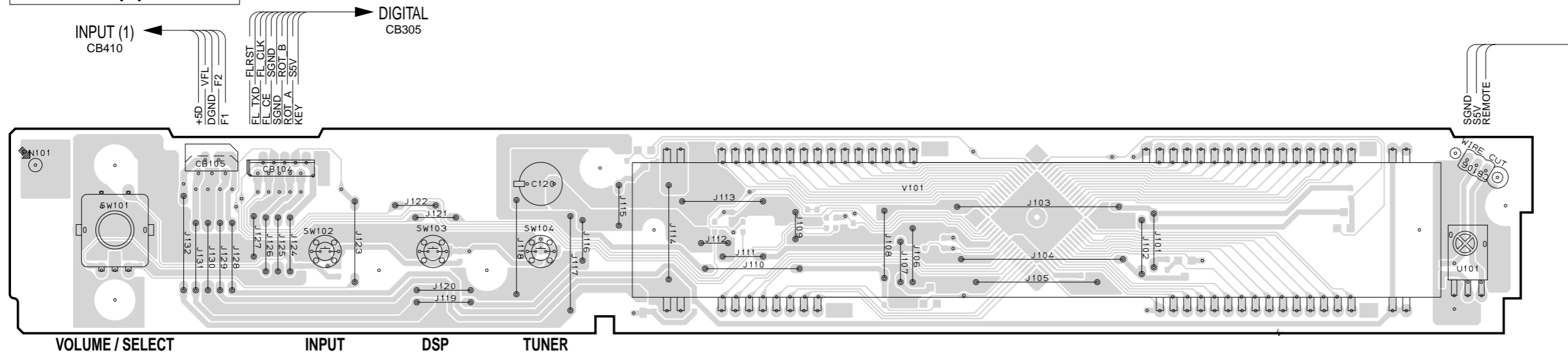


• Semiconductor Location

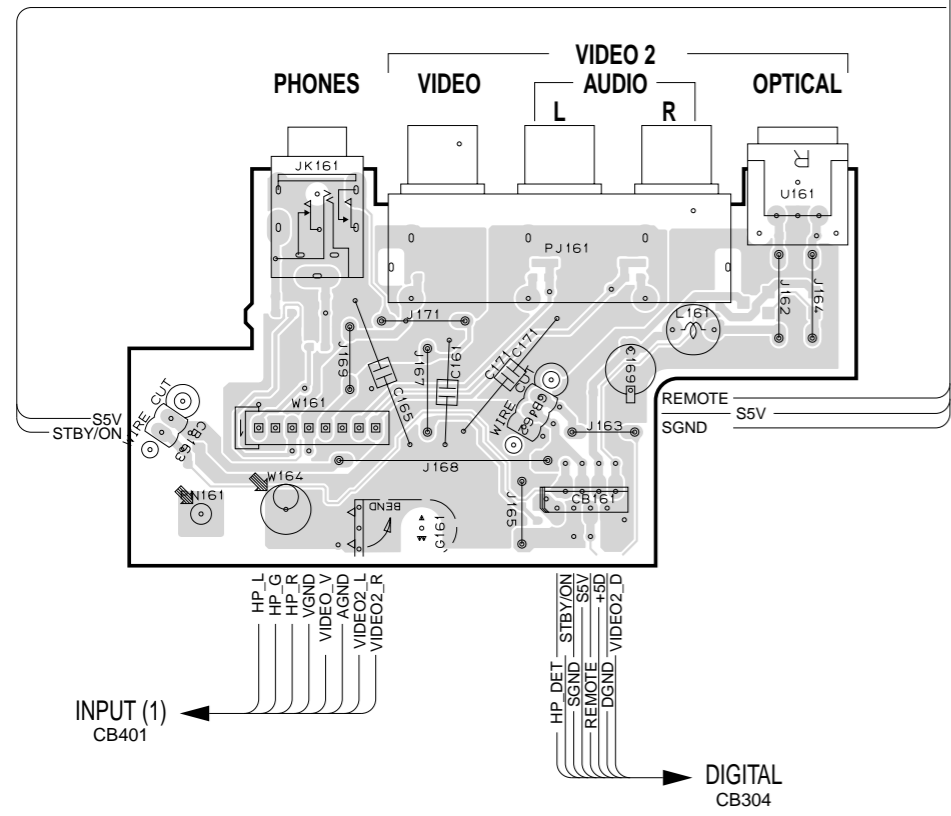
Ref. No.	Location	Ref. No.	Location
D2	C2	D17	E4
D3	D2	D18	E4
D5	D2	Q3	C2
D6	C2	Q4	C2
D7	C2	Q5	C2
D8	E2	Q6	C2
D9	C2	Q8	C2
D10	C2	Q9	C2
D11	D3	Q11	D3
D13	F3	Q14	D2
D14	F3	Q15	D3
D16	G3		

PRINTED CIRCUIT BOARD (Foil side)

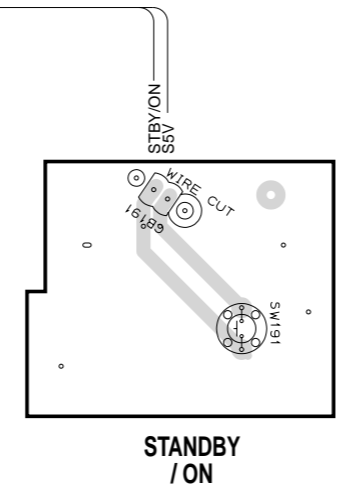
POWER (4) P. C. B. Side A



POWER (5) P. C. B. Side A

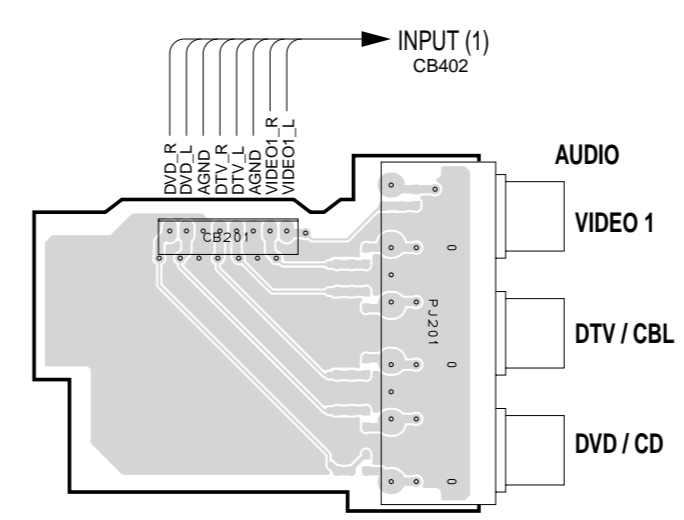


POWER (6) P. C. B. Side A



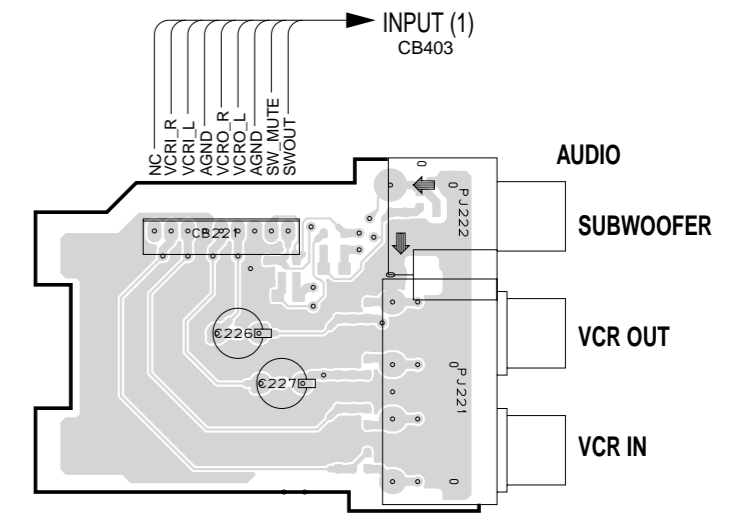
POWER (7) P. C. B. Side A

U, C, R, T, K, A, L, J models



POWER (8) P. C. B. Side A

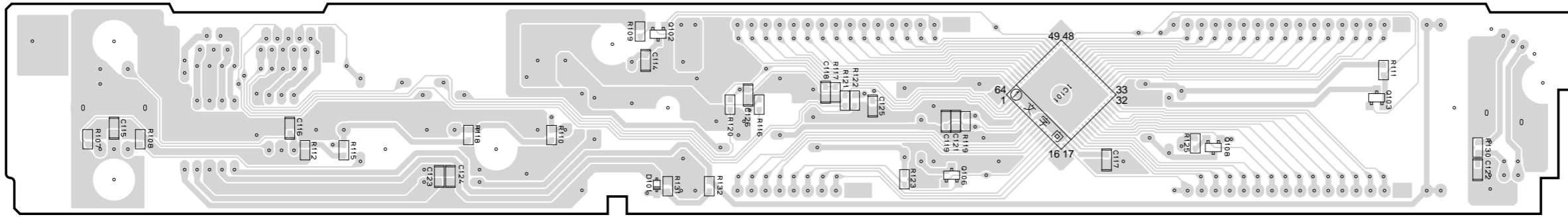
U, C, R, T, K, A, L, J models



1 ■ PRINTED CIRCUIT BOARD (Foil side)

POWER (4) P. C. B. Side B (Lead Free solder Used)

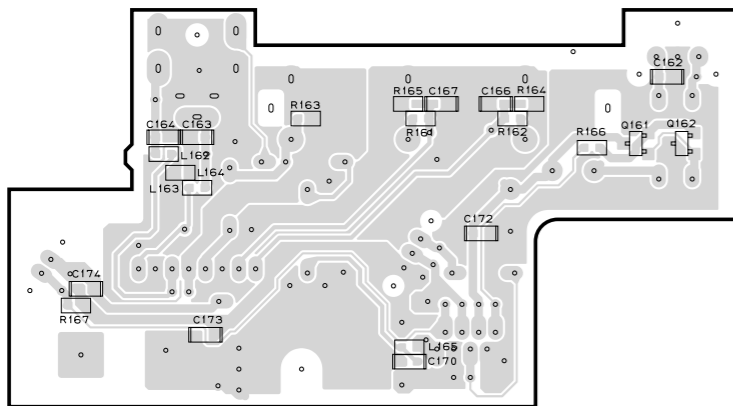
2



3

4 **POWER (5) P. C. B.** Side B (Lead Free solder Used)

5

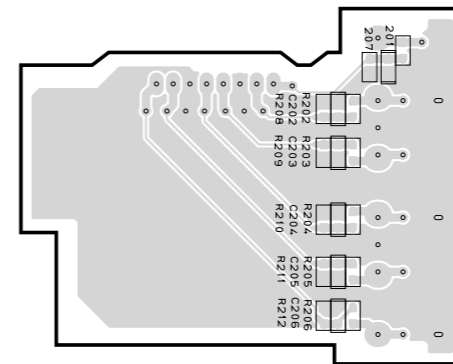


6

7

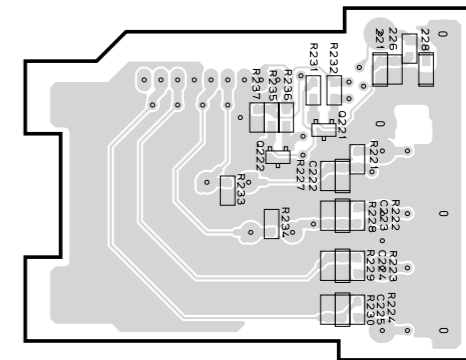
POWER (7) P. C. B.

Side B (Lead Free solder Used)
U, C, R, T, K, A, L, J models



POWER (8) P. C. B.

Side B (Lead Free solder Used)
U, C, R, T, K, A, L, J models



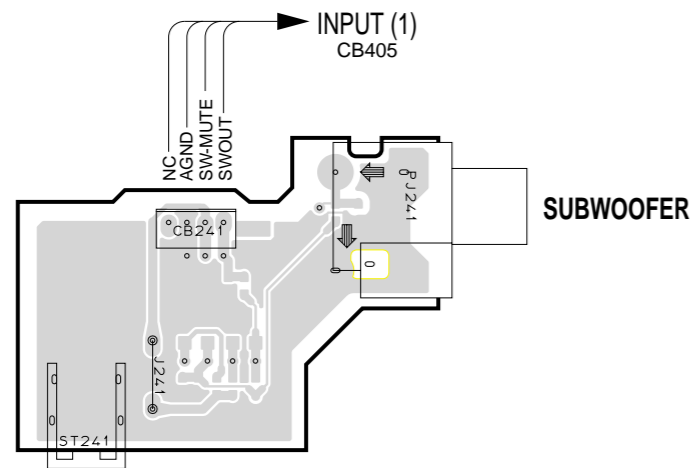
• Semiconductor Location

Ref. No.	Location	Ref. No.	Location
D101	D3	Q108	G3
IC101	F3	Q161	C5
Q102	D2	Q162	C5
Q103	H3	Q221	I5
Q106	E3	Q222	I5

PRINTED CIRCUIT BOARD (Foil side)

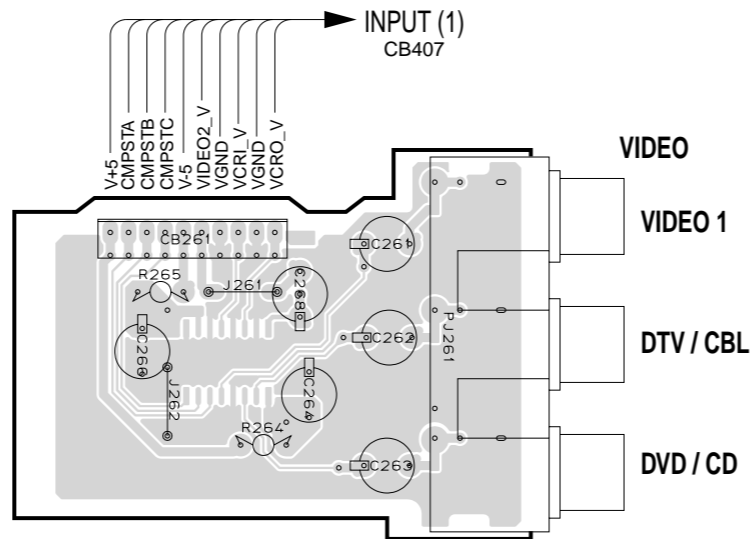
POWER (9) P. C. B. Side A

B, G models



POWER (10) P. C. B. Side A

U, C, R, T, K, A, L, J models

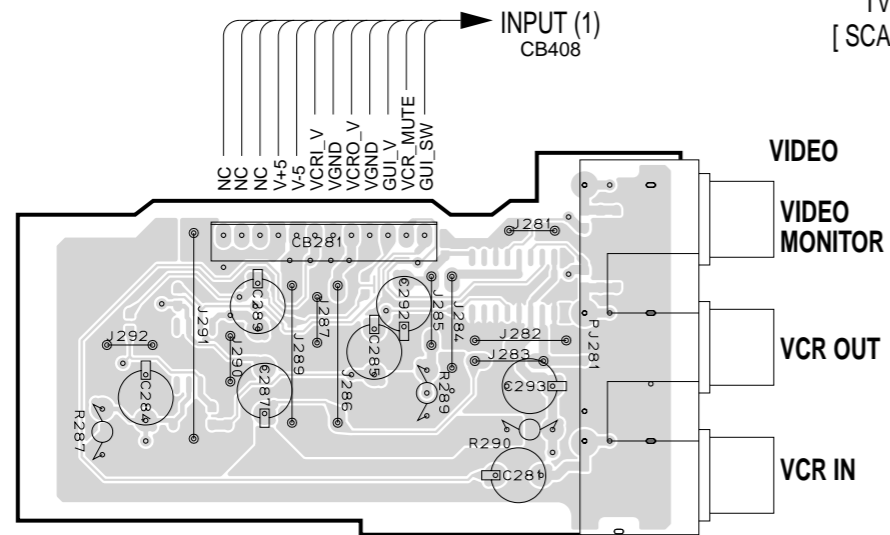


• Semiconductor Location

Ref. No.	Location
IC303	E6
IC304	E5

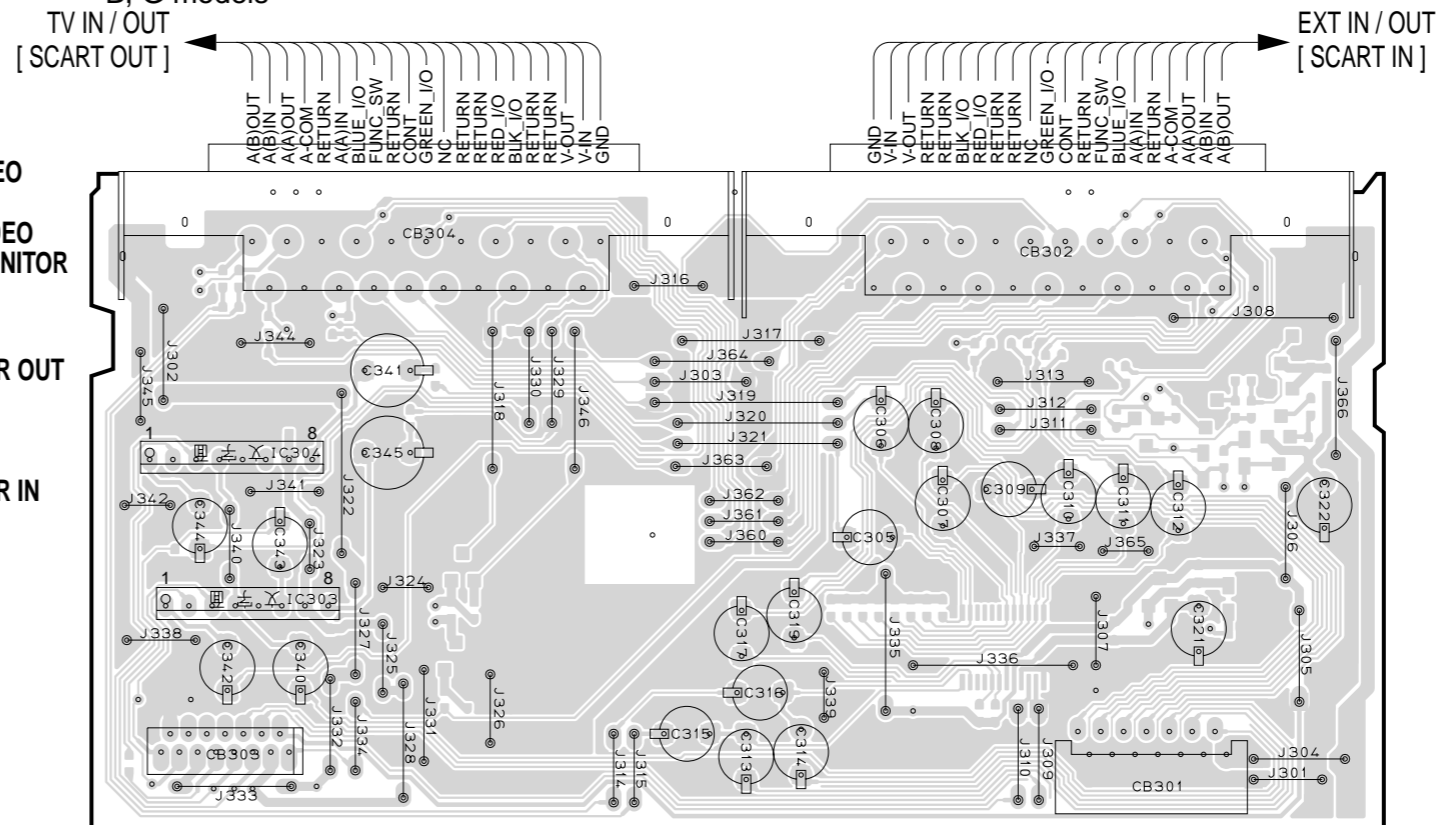
POWER (11) P. C. B. Side A

U, C, R, T, K, A, L, J models



POWER (12) P. C. B. Side A

B, G models



- BA1 - GGND
- BA2 - NC
- BA3 - V
- BA4 - I
- BA5 - V
- BA6 - A
- BA7 - I
- BA8 - V
- BA9 - A
- BA10 - I
- BA11 - V
- FUNCTION
- +5V
- +10.6V

- TUNER_R
- TUNER_L
- VIDEO2_R
- VIDEO2_L
- ADR
- ADL
- VIDEO2_V
- VGND

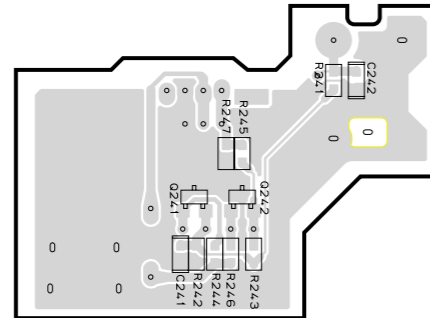
1 ■ PRINTED CIRCUIT BOARD (Foil side)

POWER (9) P. C. B.

B, G models

Side B

(Lead Free Solder Used)

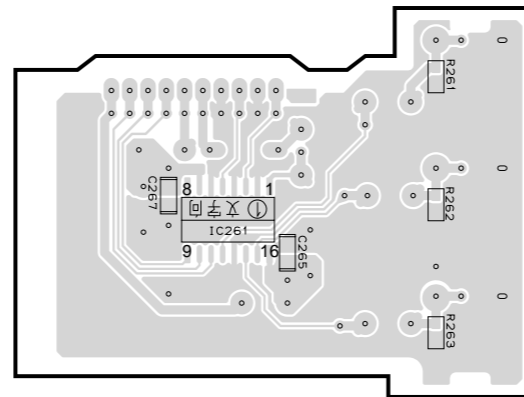


POWER (10) P. C. B.

U, C, R, T, K, A, L, J models

Side B

(Lead Free Solder Used)



• Semiconductor Location

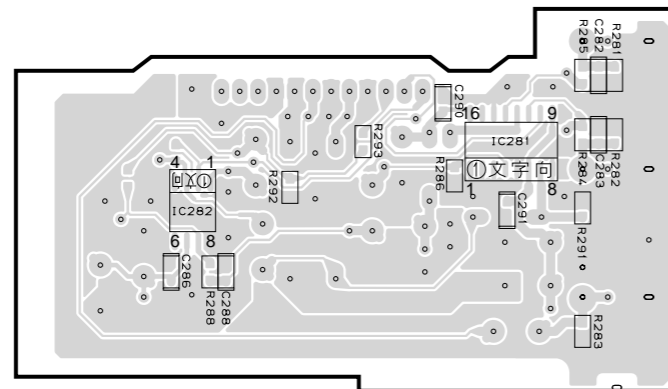
Ref. No.	Location
D301	H5
D302	H5
D303	H6
IC261	E3
IC281	C5
IC282	B5
IC301	H6
Q241	B3
Q242	B3
Q301	H5
Q302	H5
Q303	H5
Q304	H5
Q305	H5
Q306	H6
Q308	F6
Q309	F6

POWER (11) P. C. B.

U, C, R, T, K, A, L, J models

Side B

(Lead Free Solder Used)

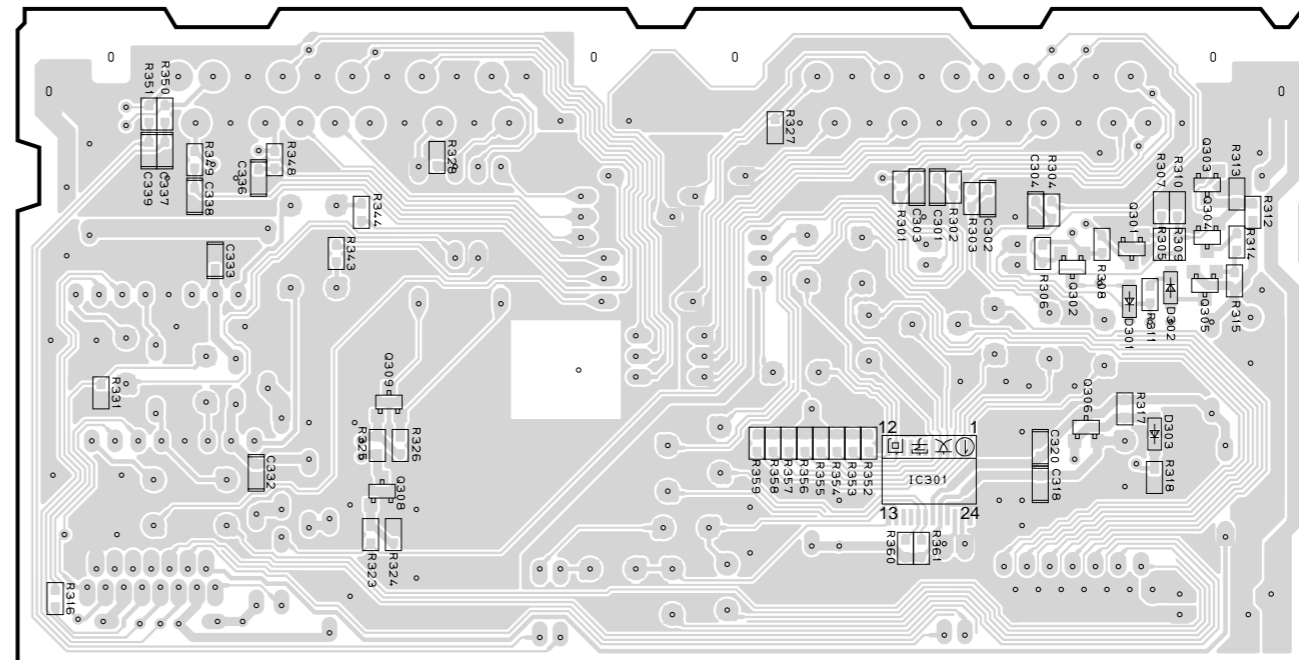


POWER (12) P. C. B.

B, G models

Side B

(Lead Free Solder Used)



2

3

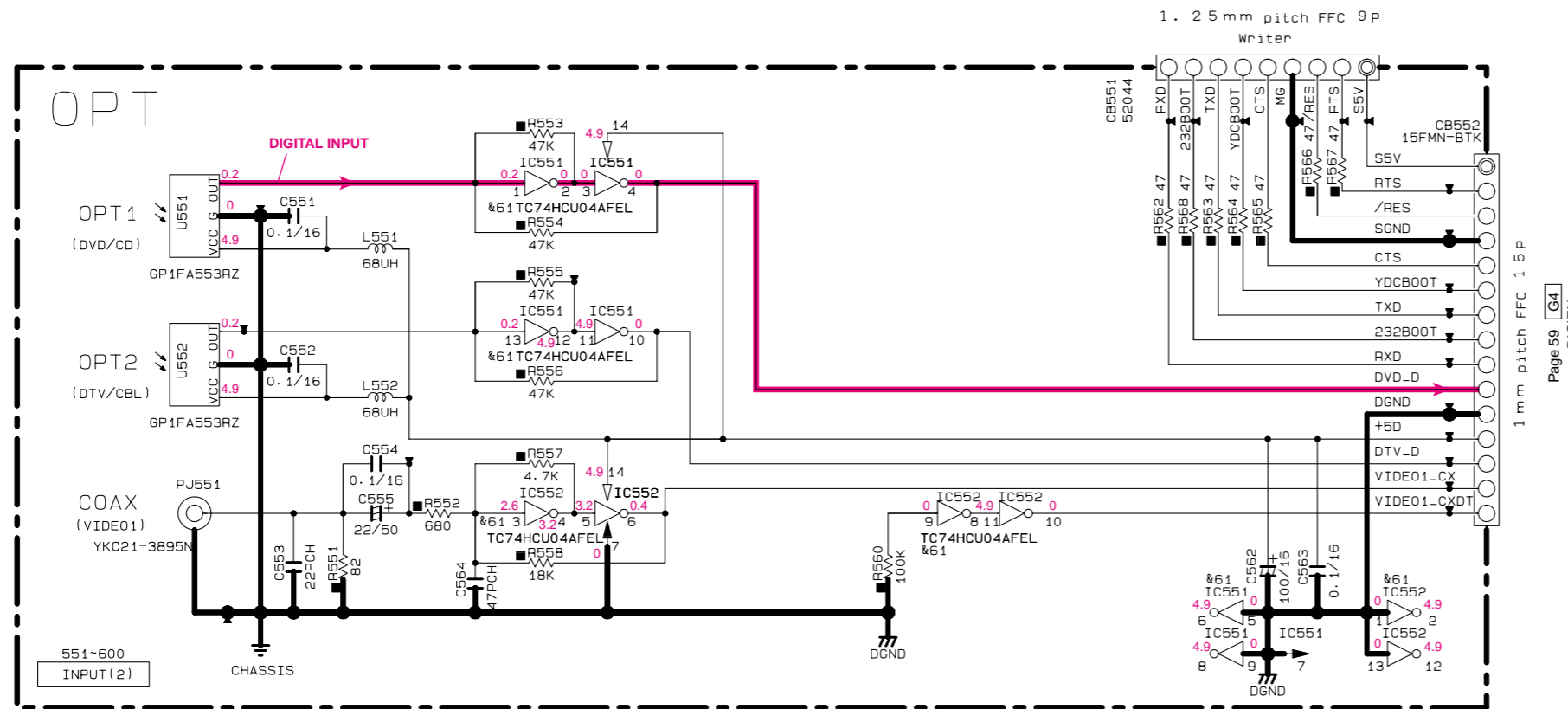
4

5

6

7

SCHEMATIC DIAGRAM (INPUT 1/2)



NOTICE (model)
 (J)..... JAPAN
 (U)..... U. S. A
 (C)..... CANADA
 (R)..... GENERAL
 (T)..... CHINA
 (K)..... KOREA
 (A)..... AUSTRALIA
 (B)..... BRITISH
 (G)..... EUROPE
 (L)..... SINGAPORE
 (E)..... SOUTH EUROPE

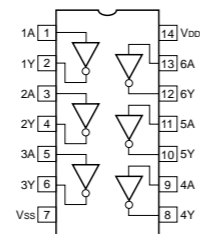
REMARKS	PARTS NAME
NO MARK	CARBON FILM RESISTOR (P=5)
☐	CARBON FILM RESISTOR (P=10)
△	METAL OXIDE FILM RESISTOR
▲	METAL FILM RESISTOR
⊠	METAL PLATE RESISTOR
▨	FIRE PROOF CARBON FILM RESISTOR
□	CEMENT MOLDED RESISTOR
⊗	SEMI VARIABLE RESISTOR
■	CHIP RESISTOR

REMARKS	PARTS NAME
NO MARK	ELECTROLYTIC CAPACITOR
⊗	TANTALUM CAPACITOR
NO MARK	CERAMIC CAPACITOR
●	CERAMIC TUBULAR CAPACITOR
◎	POLYESTER FILM CAPACITOR
○	POLYSTYRENE FILM CAPACITOR
Ⓣ	MICA CAPACITOR
Ⓟ	POLYPROPYLENE FILM CAPACITOR
⊙	SEMICONDUCTIVE CERAMIC CAPACITOR

Interchangeable Parts at Manufacture-Stage

Mark	Reference Parts Number	Parts Name
&61	IC551, IC552	TC74HCU04AFEL MM74HCU04SJX
&62		
&63		
&64		

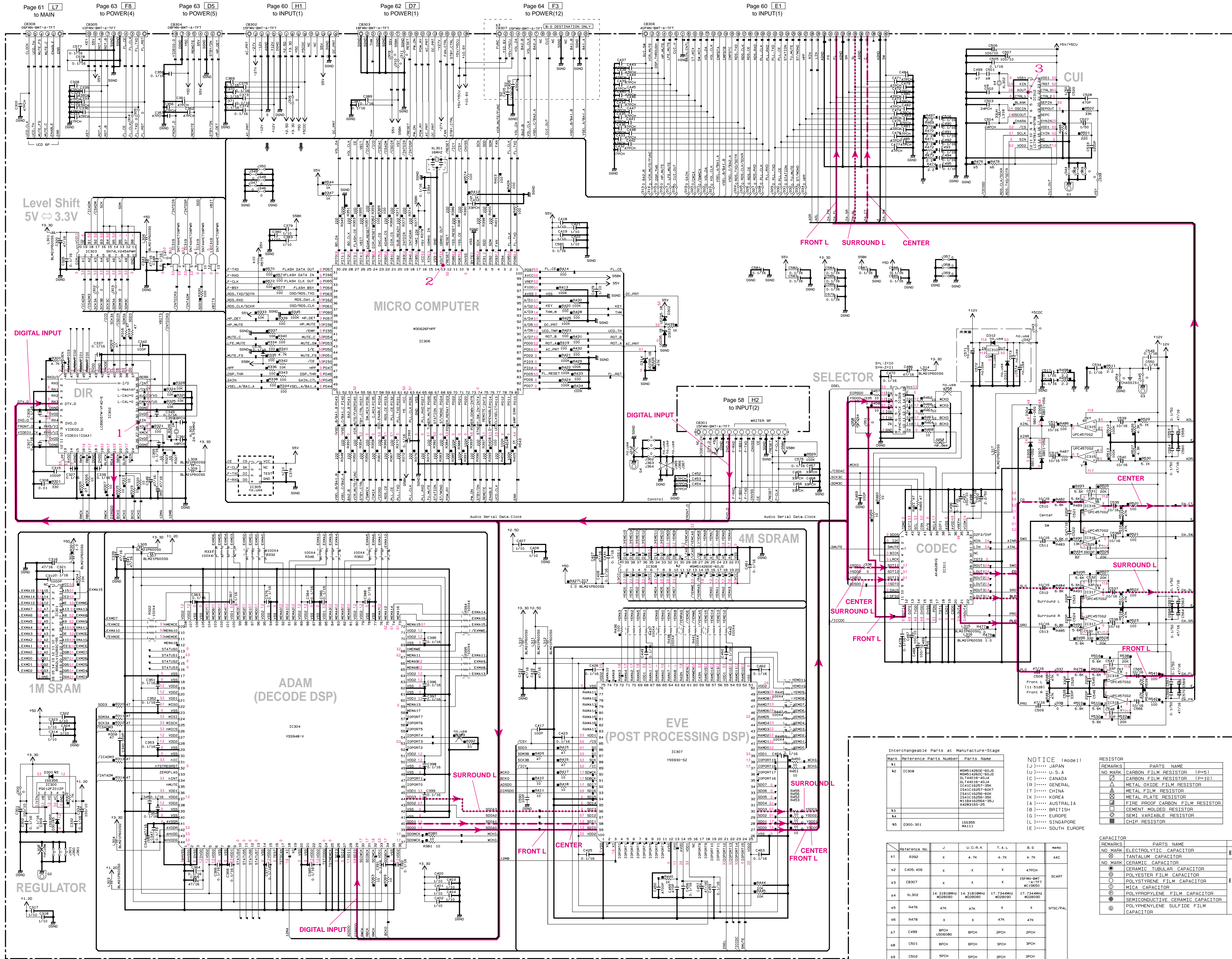
IC551, 552 : TC74HCU04AFEL
Hex Inverters



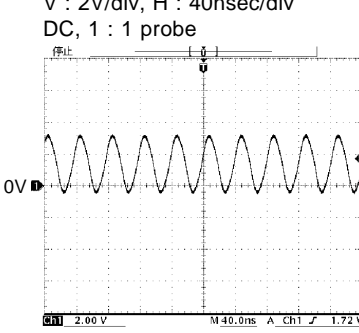
* All voltages are measured with a 10MΩ/V DC electronic volt meter.
 * Components having special characteristics are marked △ and must be replaced with parts having specifications equal to those originally installed.
 * Schematic diagram is subject to change without notice.

* 電圧は、内部抵抗10MΩの電圧計で測定したものです。
 * △印のある部品は、安全性確保部品を示しています。部品の交換が必要な場合、パーツリストに記載されている部品を使用してください。
 * 本回路図は、標準回路図です。改良のため予告なく変更することがございます。

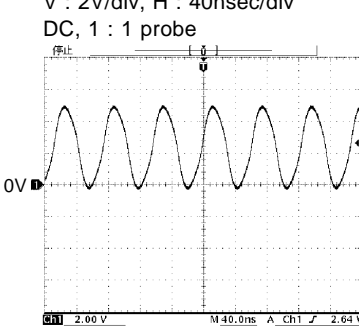
SCHEMATIC DIAGRAM (DIGITAL)



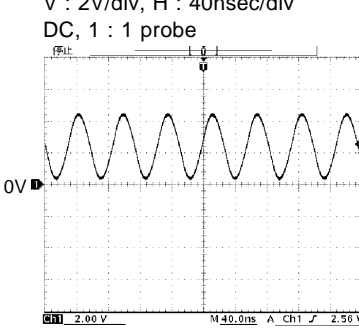
Point ① (Pin 29 of IC302)



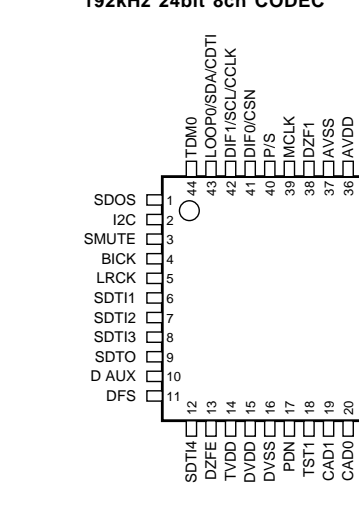
Point ② (Pin 13 of IC306)



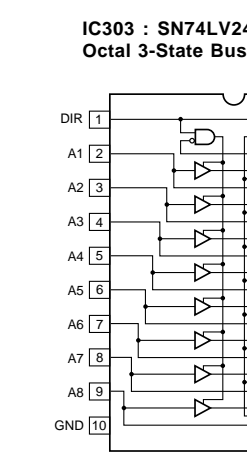
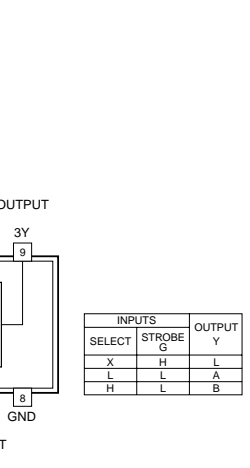
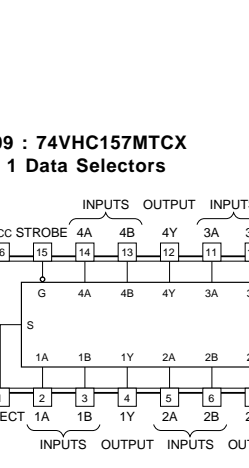
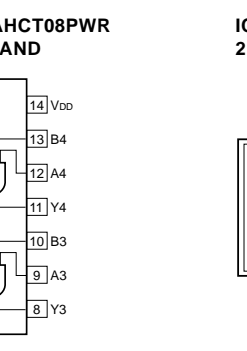
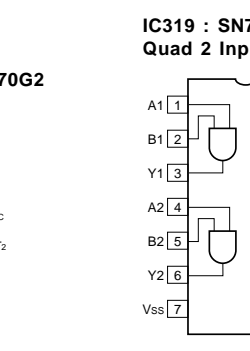
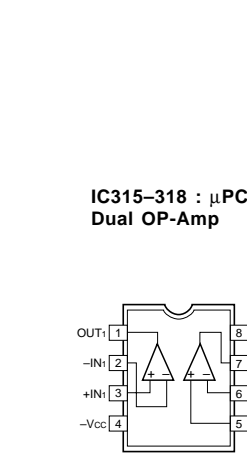
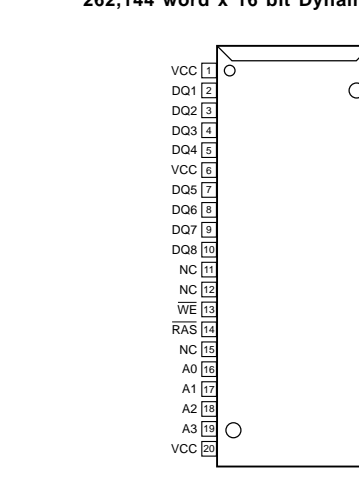
Point ③ (Pin 28 of IC132)



IC311 : AK4628VQ



IC308 : MSM514260E-60J3R1



Interchangeable Parts at Manufacture-Stage

Mark	Reference Parts Number	Parts Name
41	IC308	MSM514260E-60J3R1
42	IC309	74VHC157MTCX
43	IC315-318	μ PC4570G2
44	IC319	SN74AHC08PWR
45	Q300-Q301	MSM514260E-60J3R1

NOTICE (model)

RESISTOR

REMARKS	PARTS NAME
(J)..... JAPAN	NO MARK CARBON FILM RESISTOR (P=5)
(U)..... U.S.A	CARBON FILM RESISTOR (P=10)
(C)..... CANADA	METAL FILM RESISTOR
(R)..... GENERAL	METAL OXIDE FILM RESISTOR
(T)..... CHINA	METAL FILM RESISTOR
(K)..... KOREA	METAL PLATE RESISTOR
(A)..... AUSTRALIA	FIRE PROOF CARBON FILM RESISTOR
(B)..... BRITISH	CERMET MOLDED RESISTOR
(G)..... EUROPE	SEM. VARIABLE RESISTOR
(L)..... SINGAPORE	CHIP RESISTOR
(E)..... SOUTH EUROPE	

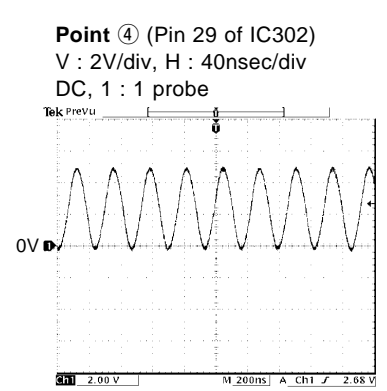
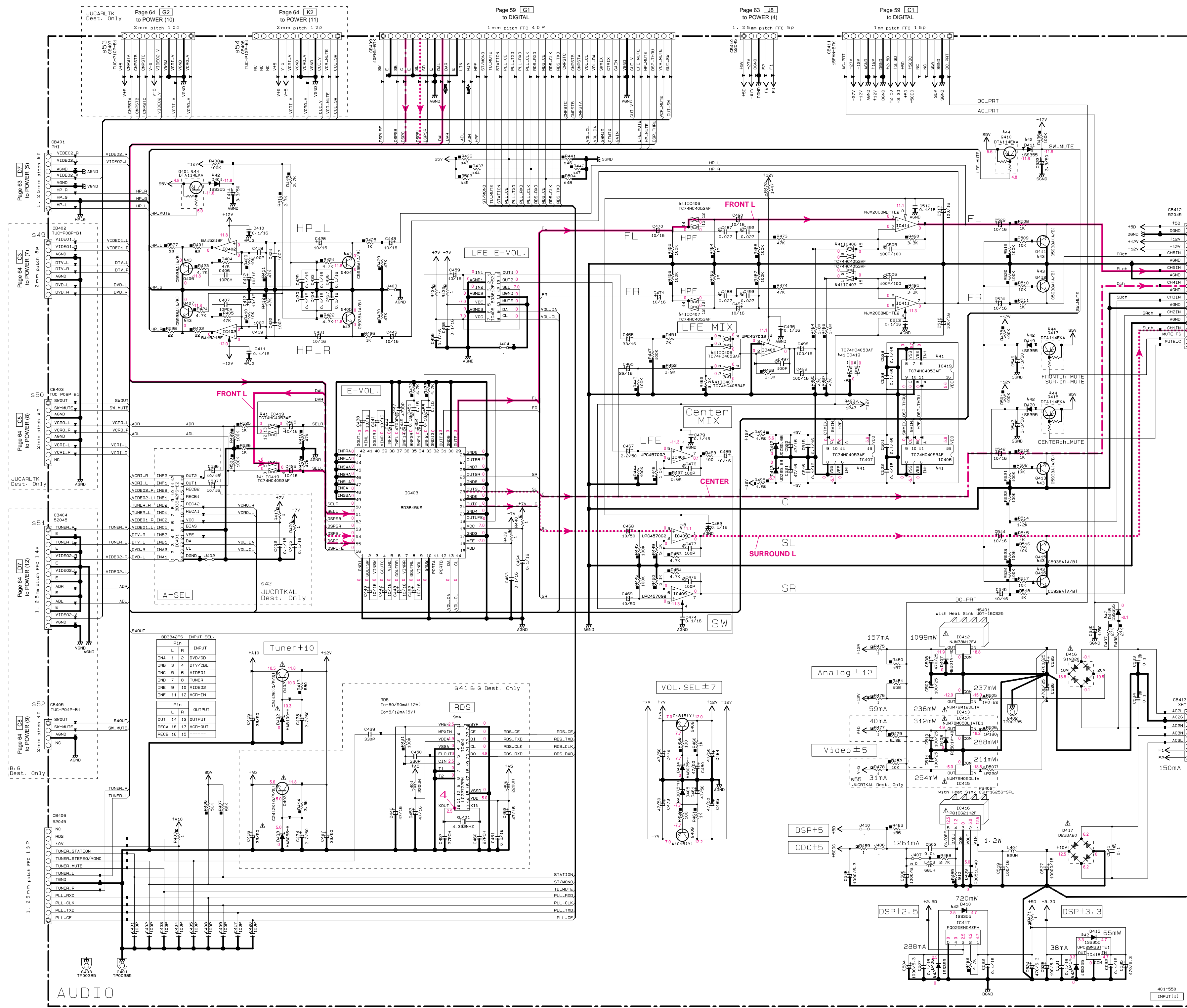
CAPACITOR

REMARKS	PARTS NAME
NO MARK	ELECTROLYTIC CAPACITOR
NO MARK	CERAMIC CAPACITOR
NO MARK	TANTALUM CAPACITOR
NO MARK	CERAMIC TUBULAR CAPACITOR
NO MARK	POLYESTER FILM CAPACITOR
NO MARK	POLYETHYLENE FILM CAPACITOR
NO MARK	MICA CAPACITOR
NO MARK	POLYPROPYLENE FILM CAPACITOR
NO MARK	SEMICONDUCTIVE CERAMIC CAPACITOR
NO MARK	POLYPHENYLENE SULFIDE CAPACITOR

All voltages are measured with a 10M Ω /V DC electronic volt meter.
Components having special characteristics are marked Δ and must be replaced with parts having specifications equal to those originally installed.
Schematic diagram is subject to change without notice.

電圧は、内部抵抗10Mの電圧計で測定したものです。
 Δ 印のある部品は、安全性確保部品を示しています。部品の交換が必要な場合、パーツリストに記載されている部品を使用してください。
本回路図は、標準回路図です。改良のため予告なく変更することがございます。

SCHEMATIC DIAGRAM (INPUT 2/2)



NOTICE (model)

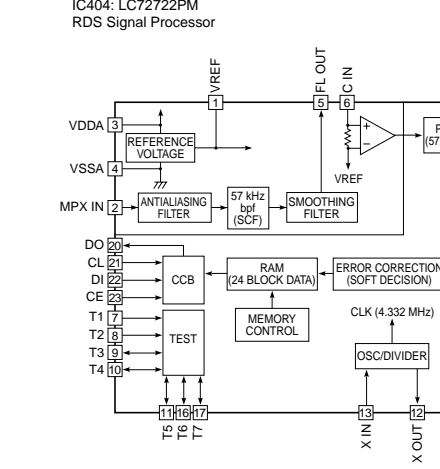
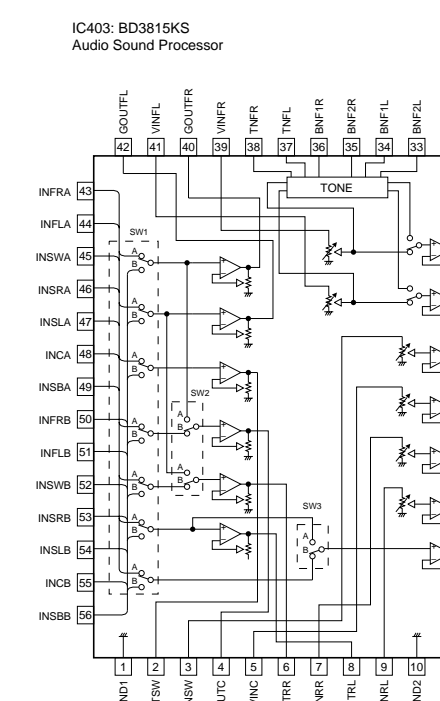
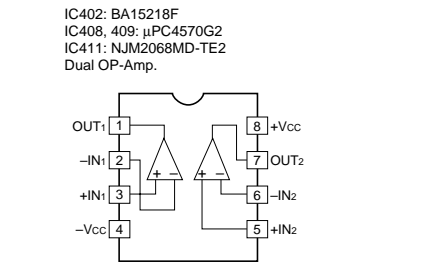
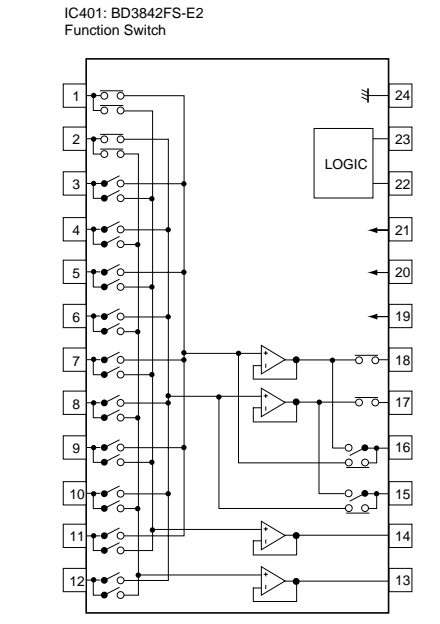
(J)..... JAPAN
(U)..... U.S.A
(C)..... CANADA
(E)..... GENERAL
(T)..... CHINA
(K)..... KOREA
(A)..... AUSTRALIA
(B)..... BRITISH
(G)..... EUROPE
(L)..... SINGAPORE
(S)..... SOUTH EUROPE

RESISTOR

REMARKS	PARTS NAME
NO MARK	CARBON FILM RESISTOR [P=5]
□	CARBON FILM RESISTOR [P=10]
△	METAL OXIDE FILM RESISTOR
▲	METAL FILM RESISTOR
■	METAL PLATE RESISTOR
⊠	FIRE PROOF CARBON FILM RESISTOR
⊞	CEMENT MOLDED RESISTOR
⊙	SEMI VARIABLE RESISTOR
⊚	CHIP RESISTOR

CAPACITOR

REMARKS	PARTS NAME
NO MARK	ELECTROLYTIC CAPACITOR
□	TANTALUM CAPACITOR
NO MARK	CERAMIC CAPACITOR
○	CERAMIC TUBULAR CAPACITOR
⊙	POLYESTER FILM CAPACITOR
○	POLYSTYRENE FILM CAPACITOR
○	MICA CAPACITOR
○	POLYPROPYLENE FILM CAPACITOR
●	SEMICONDUCTIVE CERAMIC CAPACITOR

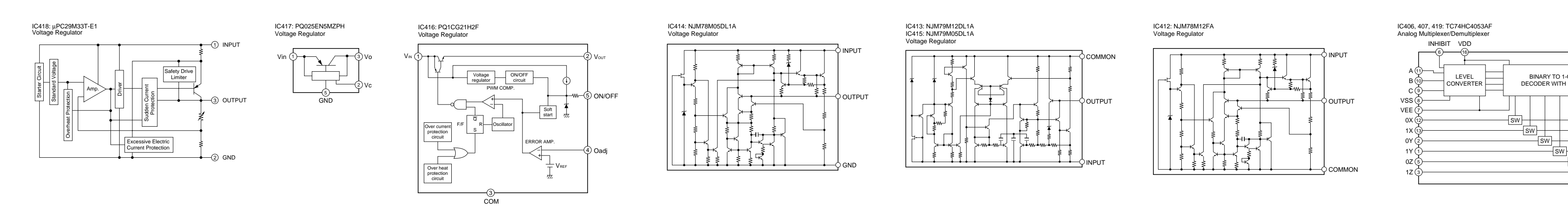


Interchangeable Parts at Manufacture-Stage

Mark	Reference Parts Number	Parts Name
K41	IC406, IC407, IC419	TC74HC4053AF M74HC4053JL
K42	D403, D406, D410, D415, D416, D418, D419, D420	ISS955S M4111 KDS180-RTK
K43	G404, G405, G406, G407, G411, G413, G415, G416, G418, G419, G420	2SC5938A(A/B) 2SD2704(X) DTA114EXA KRA1025-RTK
K44	G401, G410, G417, G418	DTA114EXA KRA1025-RTK
K45		

Reference No	J	U.C	T.A	K	L	R	B.G
441	×	×	×	×	×	×	×
442	○	○	○	○	○	○	○
443	×	4%	RO35147	×	4%	RO35147	×
444	R437	×	RO35147	4%	RO35147	RO35147	4%
445	R503	×	RO35147	4%	RO35147	RO35147	4%
446	R441	4%	RO35147	4%	RO35147	RO35147	4%
447	R442	4%	RO35147	4%	RO35147	RO35147	4%
448	R504	4%	RO35147	4%	RO35147	RO35147	4%
449	CB402	TUC-P10P-B1	TUC-P10P-B1	TUC-P10P-B1	TUC-P10P-B1	TUC-P10P-B1	TUC-P10P-B1
450	CB403	TUC-P10P-B1	TUC-P10P-B1	TUC-P10P-B1	TUC-P10P-B1	TUC-P10P-B1	TUC-P10P-B1
451	CB404	TUC-P10P-B1	TUC-P10P-B1	TUC-P10P-B1	TUC-P10P-B1	TUC-P10P-B1	TUC-P10P-B1
452	CB405	×	×	×	×	×	×
453	CB407	TUC-P10P-B1	TUC-P10P-B1	TUC-P10P-B1	TUC-P10P-B1	TUC-P10P-B1	TUC-P10P-B1
454	CB408	TUC-P10P-B1	TUC-P10P-B1	TUC-P10P-B1	TUC-P10P-B1	TUC-P10P-B1	TUC-P10P-B1
455	IC417	×	×	×	×	×	×
456	R483	R. 2K	RO35147	R. 2K	RO35147	R. 2K	RO35147
457	R480	RO35147	RO35147	RO35147	RO35147	RO35147	RO35147
458	R481	RO35147	RO35147	RO35147	RO35147	RO35147	RO35147
459		RO35147	RO35147	RO35147	RO35147	RO35147	RO35147
460		RO35147	RO35147	RO35147	RO35147	RO35147	RO35147

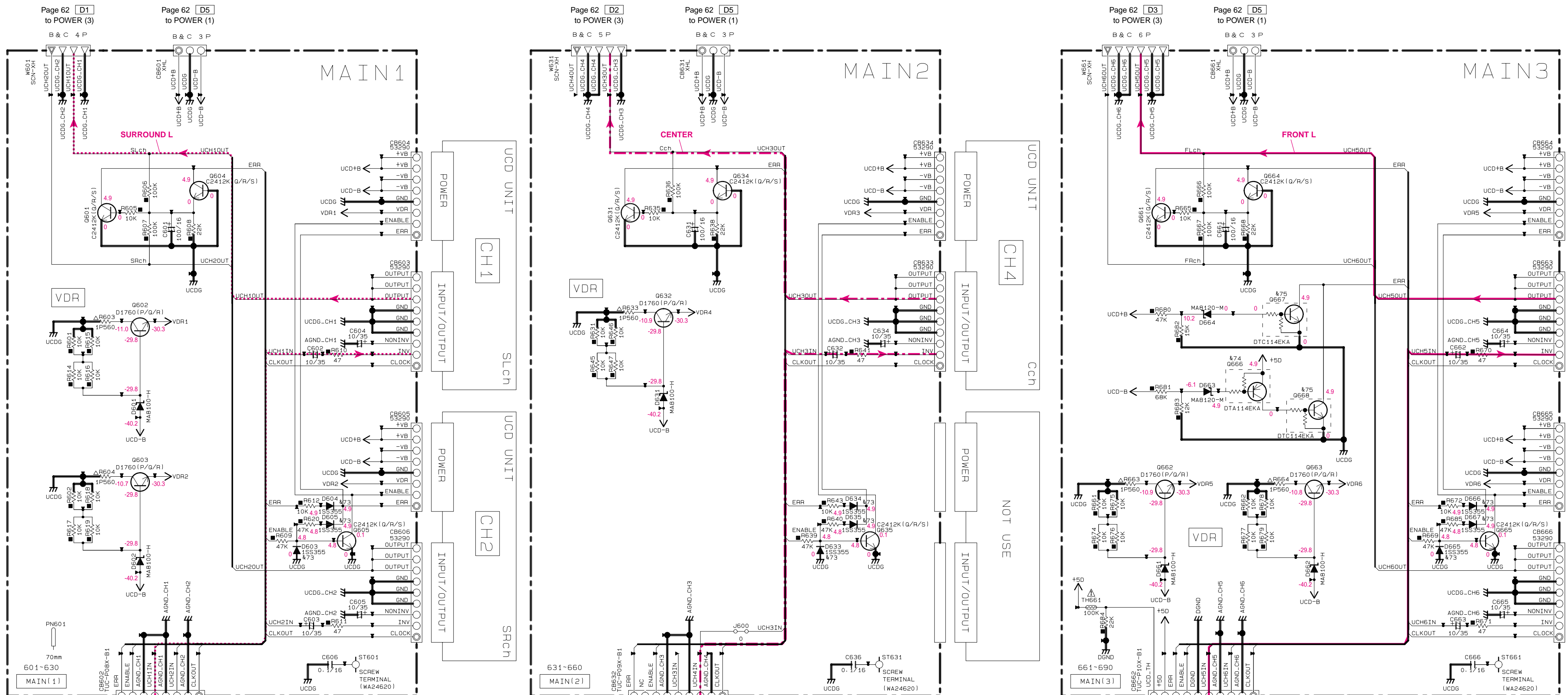
× NOT USED
○ USED / APPLICABLE



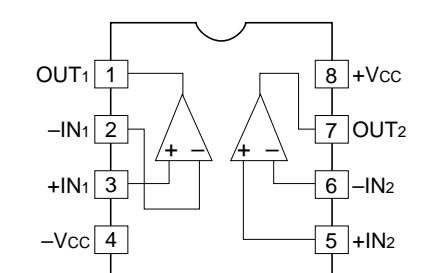
All voltages are measured with a 10MΩ/V DC electronic volt meter.
Components having special characteristics are marked △, and must be replaced with parts having specifications equal to those originally installed.
Schematic diagram is subject to change without notice.

電圧は、内部抵抗10MΩの電圧計で測定したものです。
△印のある部品は、安全性確保部品を示しています。部品の交換が必要な場合、パーツリストに記載されている部品を使用してください。
本回路図は、標準回路図です。改良のため予告なく変更することがございます。

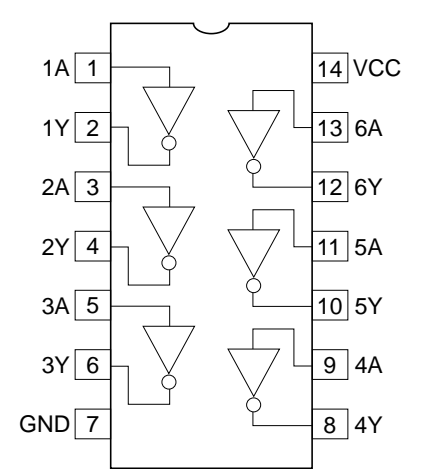
SCHEMATIC DIAGRAM (MAIN)



IC691-693: NJM2068MD-TE2 Dual OP-Amp.



IC694: TC74HCU04AFEL Hex Inverters



NOTICE (model)

- (J)..... JAPAN
- (U)..... U.S.A
- (C)..... CANADA
- (R)..... GENERAL
- (T)..... CHINA
- (K)..... KOREA
- (A)..... AUSTRALIA
- (B)..... BRITISH
- (G)..... EUROPE
- (L)..... SINGAPORE
- (E)..... SOUTH EUROPE

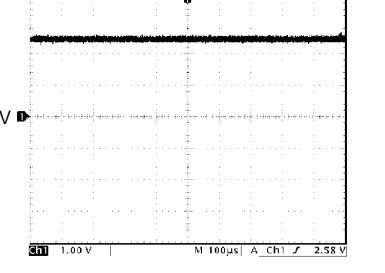
REMARKS	PARTS NAME
NO MARK	CARBON FILM RESISTOR (P=5)
□	CARBON FILM RESISTOR (P=10)
△	METAL OXIDE FILM RESISTOR
▭	METAL FILM RESISTOR
▭	METAL PLATE RESISTOR
▭	FIRE PROOF CARBON FILM RESISTOR
▭	CEMENT MOLDED RESISTOR
▭	SEMI VARIABLE RESISTOR
▭	CHIP RESISTOR

REMARKS	PARTS NAME
NO MARK	ELECTROLYTIC CAPACITOR
⊗	TANTALUM CAPACITOR
NO MARK	CERAMIC CAPACITOR
○	CERAMIC TUBULAR CAPACITOR
●	POLYESTER FILM CAPACITOR
○	POLYSTYRENE FILM CAPACITOR
○	MICA CAPACITOR
○	POLYPROPYLENE FILM CAPACITOR
●	SEMICONDUCTIVE CERAMIC CAPACITOR

Interchangeable Parts List

Mark	Reference Parts Number	Parts Name
k71	IC694	TC74HCU04AFEL M74HCU04SX
k72	Q691, Q692	2SA1037AK (G, R, S) 2SA1235A (E, F)
k73	D603, D604, D605, D633, D634, D635, D665, D666, D667	1S5355 MA111 KDS160-RTK
k74	Q666	DTA114EKA KRA102S-RTK
k75	Q667, Q668	DTC114EKA KRC102S-RTK

Point ⑤ (Pin 5 of IC694)
V: 1V/div, H: 100usec/div
DC, 1: 1 probe



All voltages are measured with a 10MΩ/V DC electronic volt meter.
Components having special characteristics are marked △, and must be replaced with parts having specifications equal to those originally installed.
Schematic diagram is subject to change without notice.

電圧は、内部抵抗10MΩの電圧計で測定したものです。
△印のある部品は、安全性確保部品を示しています。部品の交換が必要な場合、パーツリストに記載されている部品を使用してください。
本回路図は、標準回路図です。改良のため予告なく変更することがございます。

1. 2.5mm pitch FFC 1.7P to INPUT (1)
Page 60 [J3] to DIGITAL
Page 59 [AT] 1.1mm pitch FFC 6 P to POWER (3)

601-630 MAIN (1)

631-660 MAIN (2)

661-690 MAIN (3)

691-750 MAIN (4) BRIDGE

ST691 PNE91 PNE92
SCREW 50mm 50mm
TERMINAL (WAZ4620)

1
2
3
4
5
6
7
8
9
10

SCHEMATIC DIAGRAM (POWER 1/3)

NOTICE (model)
 (J)..... JAPAN
 (U)..... U. S. A
 (C)..... CANADA
 (R)..... GENERAL
 (T)..... CHINA
 (K)..... KOREA
 (A)..... AUSTRALIA
 (B)..... BRITISH
 (G)..... EUROPE
 (L)..... SINGAPORE
 (E)..... SOUTH EUROPE

REMARKS	PARTS NAME
NO MARK	CARBON FILM RESISTOR (P=5)
□	CARBON FILM RESISTOR (P=10)
△	METAL OXIDE FILM RESISTOR
▲	METAL FILM RESISTOR
▣	METAL PLATE RESISTOR
⊠	FIRE PROOF CARBON FILM RESISTOR
⊞	CEMENT MOLDED RESISTOR
⊚	SEMI VARIABLE RESISTOR
⊙	CHIP RESISTOR

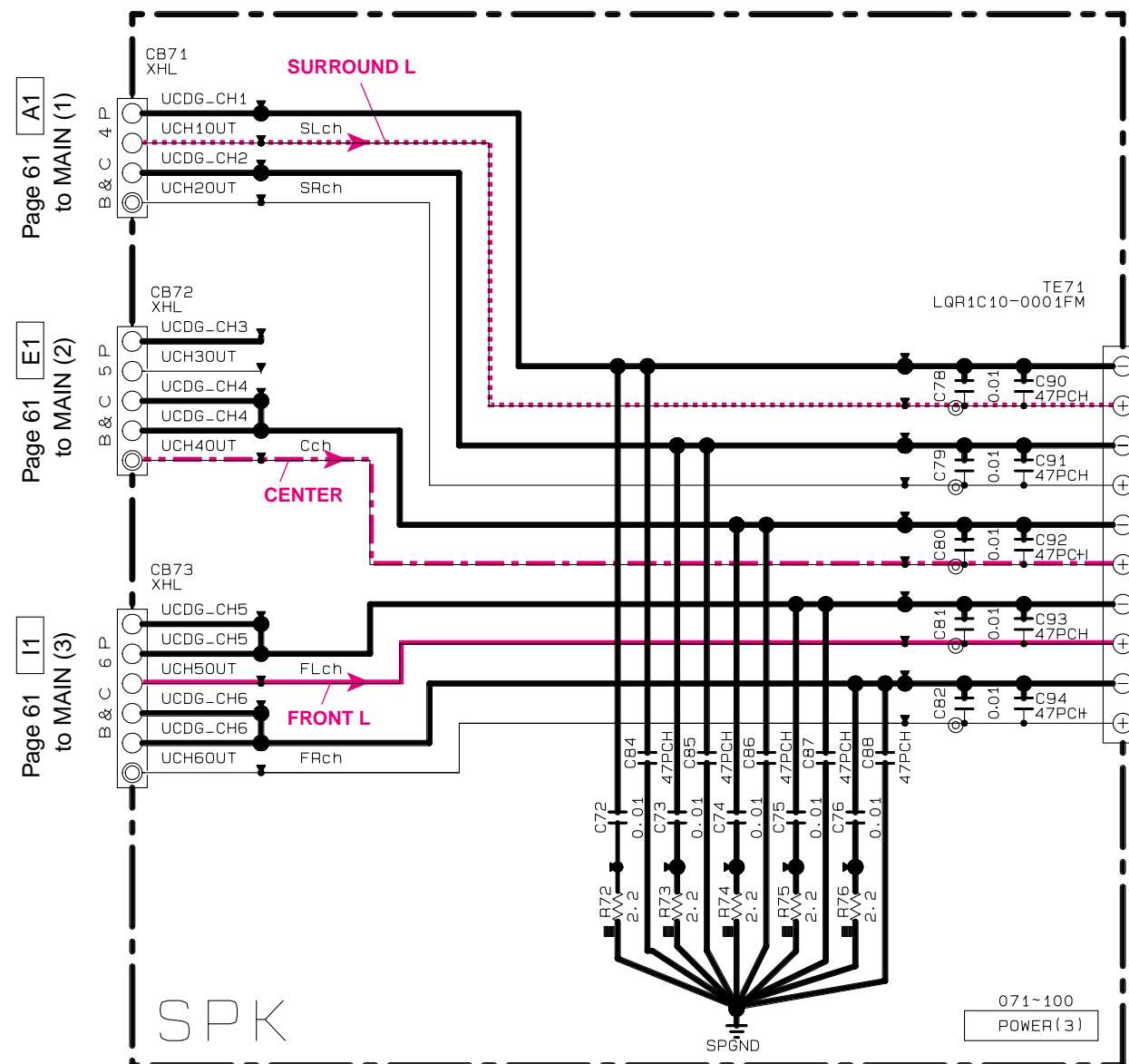
REMARKS	PARTS NAME
NO MARK	ELECTROLYTIC CAPACITOR
⊗	TANTALUM CAPACITOR
NO MARK	CERAMIC CAPACITOR
⊙	CERAMIC TUBULAR CAPACITOR
⊚	POLYESTER FILM CAPACITOR
○	POLYSTYRENE FILM CAPACITOR
⊖	MICA CAPACITOR
⊕	POLYPROPYLENE FILM CAPACITOR
⊙	SEMICONDUCTIVE CERAMIC CAPACITOR

Interchangeable Parts at Manufacture-Stage

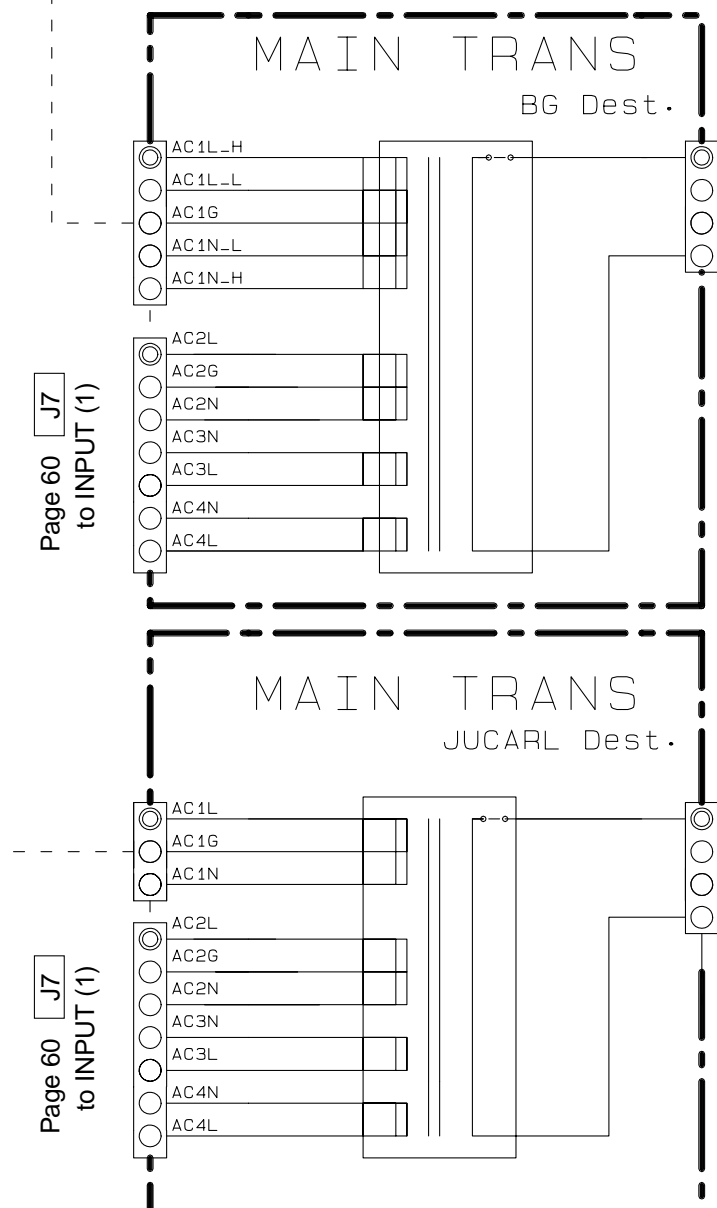
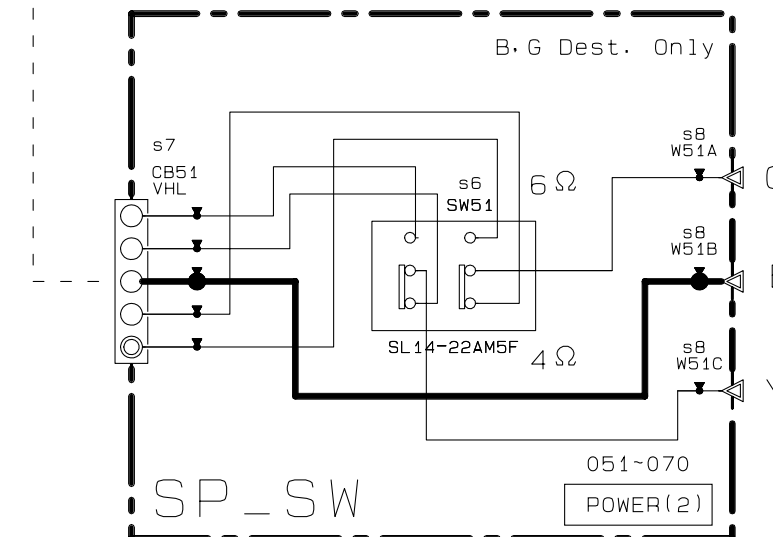
Mark	Reference Parts Number	Parts Name
41	RY1	SDT-S-112LMR2 DL512D1-01M
42	05, 09	25A1037AK(G/R/S) 25A1235A(E/F)
43	013	25A1674(R/S) 25B1237(G/R)
44		
45	D15	D55B20 TS6P03G-C1
46	D5-D7, D9, D16, D17	1S3355 MA111 KDS160
47		
48	04	DTC144EKA KRC104S
49		
410		

Reference No	J	U-C	R	T-K	A	B-G	L
s1	T1	X4607	X4608	X4609	X4610	X4611	X4612
s2	F1	5A125V V5B2300	5A125V V5B2300	5A125V V5B2300	2A250V VT94280	2A250V VT94280	2A250V VT94280
s3	R34	X	0	X	X	X	X
s4	(SCART_PS)	X	X	X	X	X	X
s5							
s6	SW51	X	X	X	X	X	VZ07550
s7	CB51	X	X	X	X	X	LB93305
s8	W51A, W51B, W51C	X	X	X	X	X	WC28790
s9	R36	56K RD35756	56K RD35756	56K RD35756	56K RD35756	56K RD35756	56K RD35756
s10	R37	18K RD35718	18K RD35718	18K RD35718	18K RD35718	27K RD35727	18K RD35718
s11							
s12							
s13							
s14							
s15							

x: NOT USED
 o: USED / APPLICABLE

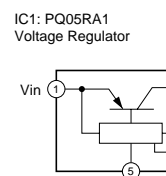
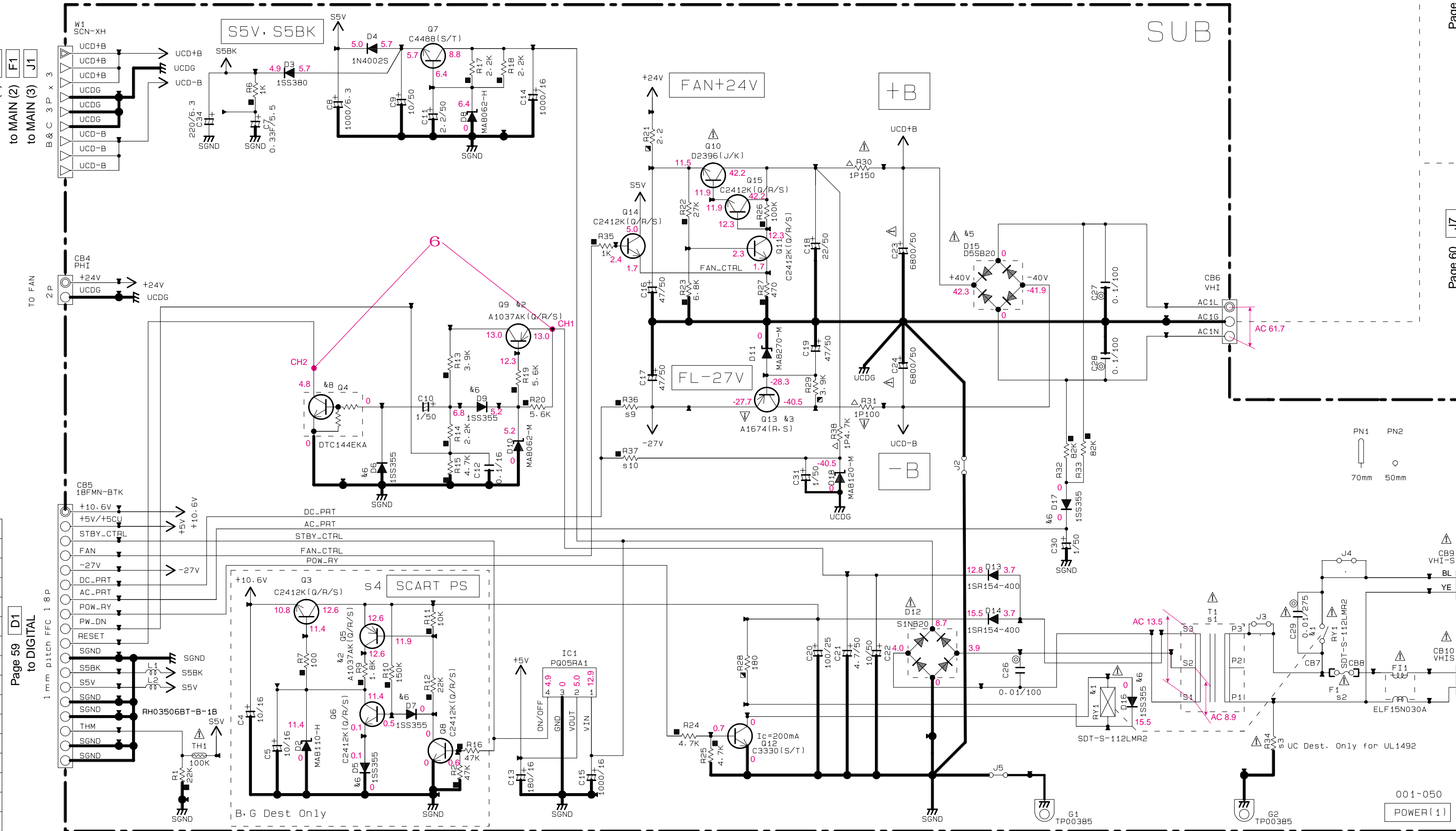


SURROUND Lch (BLUE)
 SURROUND Rch (GRAY)
 CENTERch (GREEN)
 FRONT Lch (WHITE)
 FRONT Rch (RED)



Page 59 D1 to DIGITAL

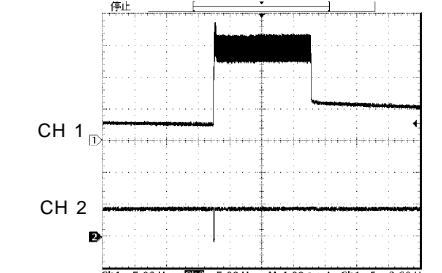
Reference No	J	U-C	R	T-K	A	B-G	L
s1	T1	X4607	X4608	X4609	X4610	X4611	X4612
s2	F1	5A125V V5B2300	5A125V V5B2300	5A125V V5B2300	2A250V VT94280	2A250V VT94280	2A250V VT94280
s3	R34	X	0	X	X	X	X
s4	(SCART_PS)	X	X	X	X	X	X
s5							
s6	SW51	X	X	X	X	X	VZ07550
s7	CB51	X	X	X	X	X	LB93305
s8	W51A, W51B, W51C	X	X	X	X	X	WC28790
s9	R36	56K RD35756	56K RD35756	56K RD35756	56K RD35756	56K RD35756	56K RD35756
s10	R37	18K RD35718	18K RD35718	18K RD35718	18K RD35718	27K RD35727	18K RD35718
s11							
s12							
s13							
s14							
s15							



All voltages are measured with a 10MΩ/1V DC electronic volt meter.
 Components having special characteristics are marked Δ and must be replaced with parts having specifications equal to those originally installed.
 Schematic diagram is subject to change without notice.

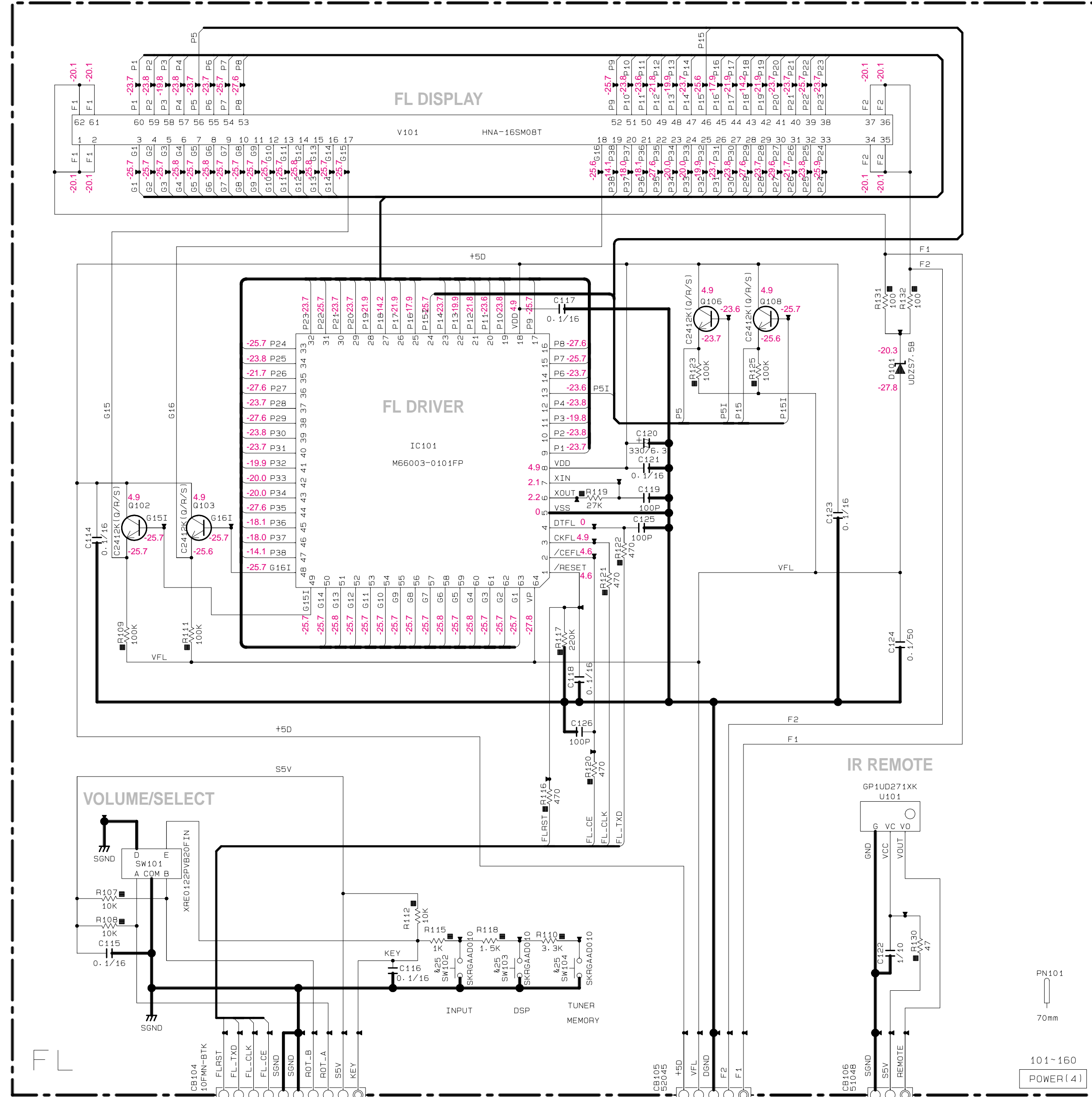
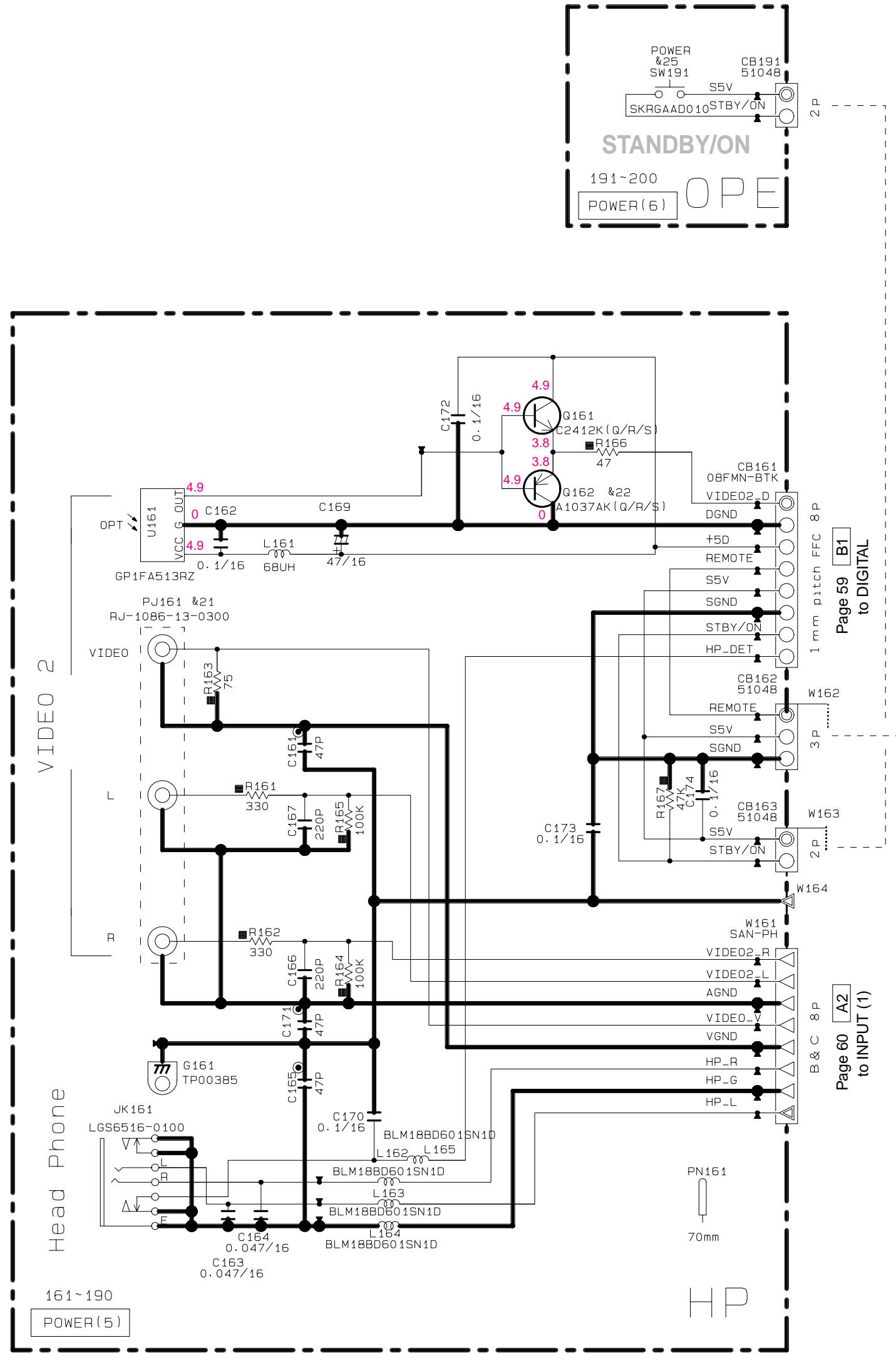
電圧は、内部抵抗10MΩの電圧計で測定したものです。
 Δ印のある部品は、安全性確保部品を示しています。部品の交換が必要な場合、パーツリストに記載されている部品を使用してください。
 本回路図は、標準回路図です。改良のため予告なく変更することがございます。

Point ⑥
 CH 1 : Emitter of Q9
 CH 2 : Collector of Q4
 V : 5V/div (CH 1)
 V : 5V/div (CH 2)
 DC, 1 : 1 probe, H : 4.0sec/div



AC POWER ON (Connect the power cable) / AC POWER OFF (Disconnect the power cable)

SCHEMATIC DIAGRAM (POWER 2/3)



NOTICE (model)
 (J)..... JAPAN
 (U)..... U.S.A
 (C)..... CANADA
 (R)..... GENERAL
 (T)..... CHINA
 (K)..... KOREA
 (A)..... AUSTRALIA
 (B)..... BRITISH
 (G)..... EUROPE
 (L)..... SINGAPORE
 (E)..... SOUTH EUROPE

REMARKS	PARTS NAME
NO MARK	CARBON FILM RESISTOR (P=5)
□	CARBON FILM RESISTOR (P=10)
△	METAL OXIDE FILM RESISTOR
▲	METAL FILM RESISTOR
⊠	METAL PLATE RESISTOR
▣	FIRE PROOF CARBON FILM RESISTOR
⊞	CEMENT MOLDED RESISTOR
⊕	SEMI VARIABLE RESISTOR
⊞	CHIP RESISTOR

REMARKS	PARTS NAME
NO MARK	ELECTROLYTIC CAPACITOR
⊗	TANTALUM CAPACITOR
NO MARK	CERAMIC CAPACITOR
●	CERAMIC TUBULAR CAPACITOR
⊙	POLYESTER FILM CAPACITOR
○	POLYSTYRENE FILM CAPACITOR
⊖	MICA CAPACITOR
⊕	POLYPROPYLENE FILM CAPACITOR
⊞	SEMICONDUCTIVE CERAMIC CAPACITOR

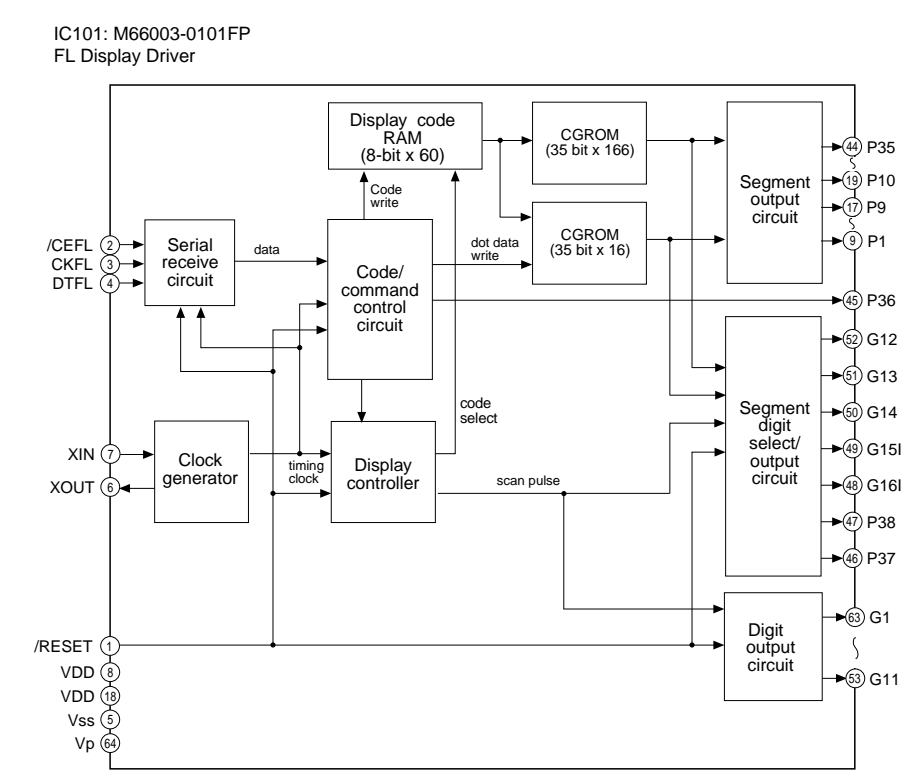
Interchangeable Parts at Manufacture-Stage

Mark	Reference Parts Number	Parts Name
⋆21	PJ161	RJ-1086-13-0300A YKC21-3039N
⋆22	0162	2SA1037AK[G/R/S] 2SA1235A[E/F]
⋆23		
⋆24		
⋆25	SW102-SW103-SW104-SW191	SKRGAAD010 EVG11A

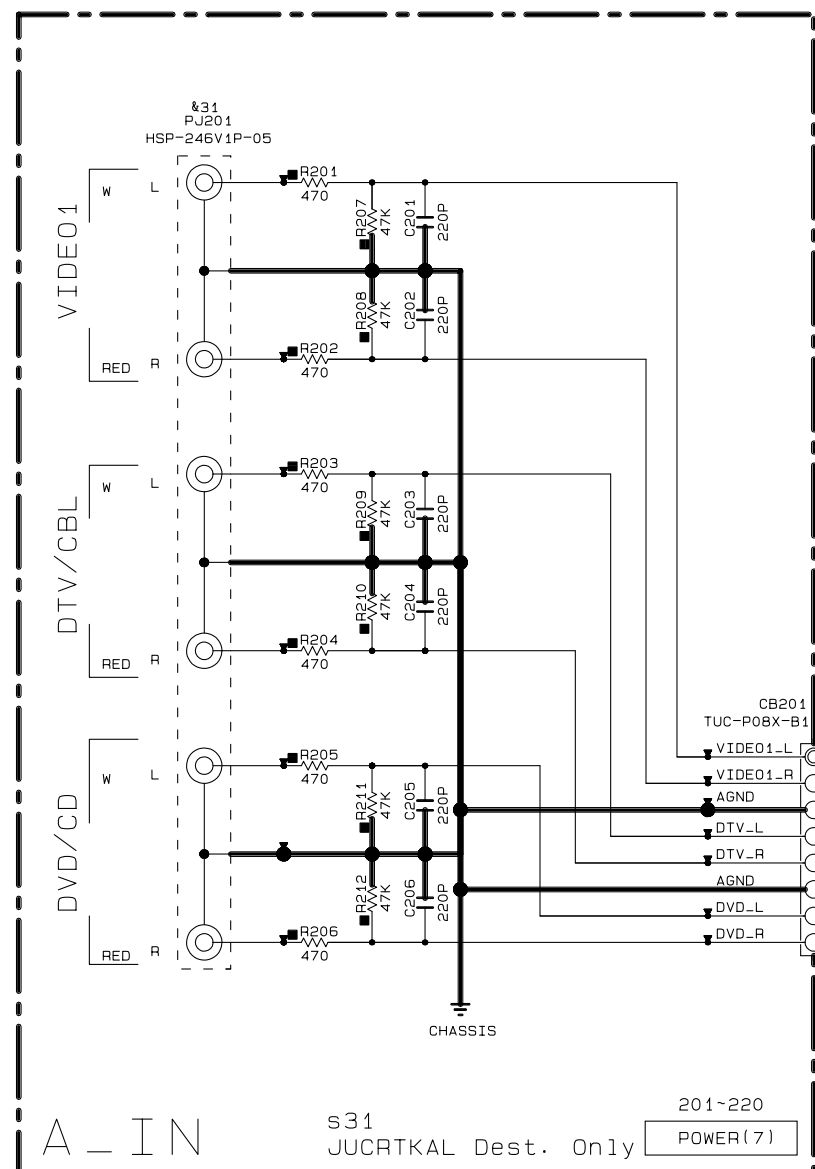
Key Input (A-D) Pull-Up Resistance 10 k-ohms

ohm	0.0	+1.0k	+1.5k	+3.3k
V	-0.3	-1.0	-1.8	-2.4
ADKEY0 (94Pin, AN2)	ENTER	INPUT	DSP	TUNER

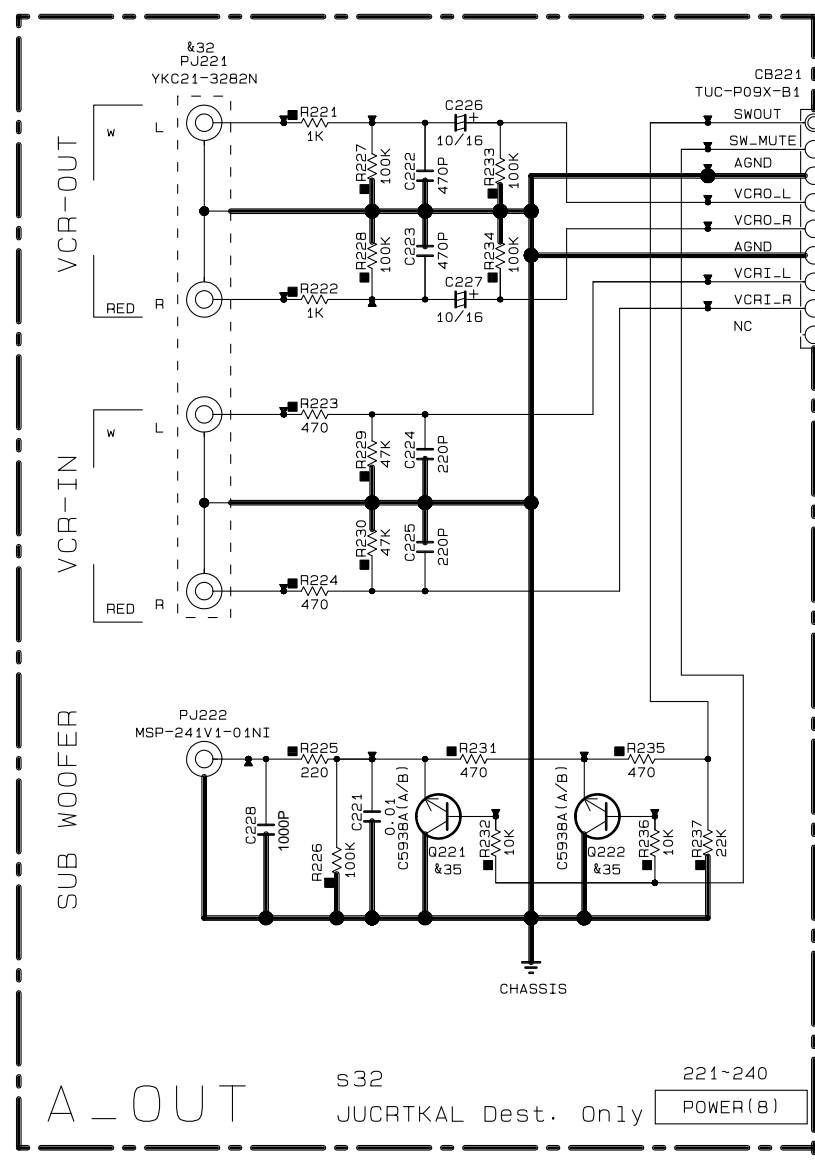
* All voltages are measured with a 10MΩ/DC electronic volt meter.
 * Components having special characteristics are marked △, and must be replaced with parts having specifications equal to those originally installed.
 * Schematic diagram is subject to change without notice.
 * 電圧は、内部抵抗10Mの電圧計で測定したものです。
 * △印のある部品は、安全性確保部品を示しています。部品の交換が必要な場合、パーツリストに記載されている部品を使用してください。
 * 本回路図は、標準回路図です。改良のため予告なく変更することがございます。



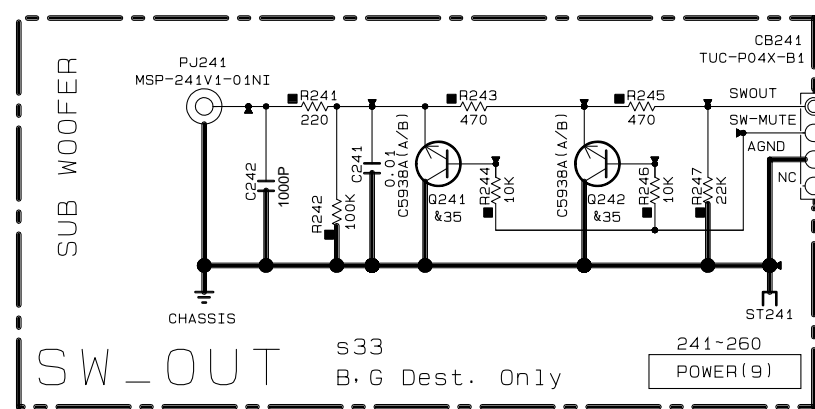
SCHEMATIC DIAGRAM (POWER 3/3)



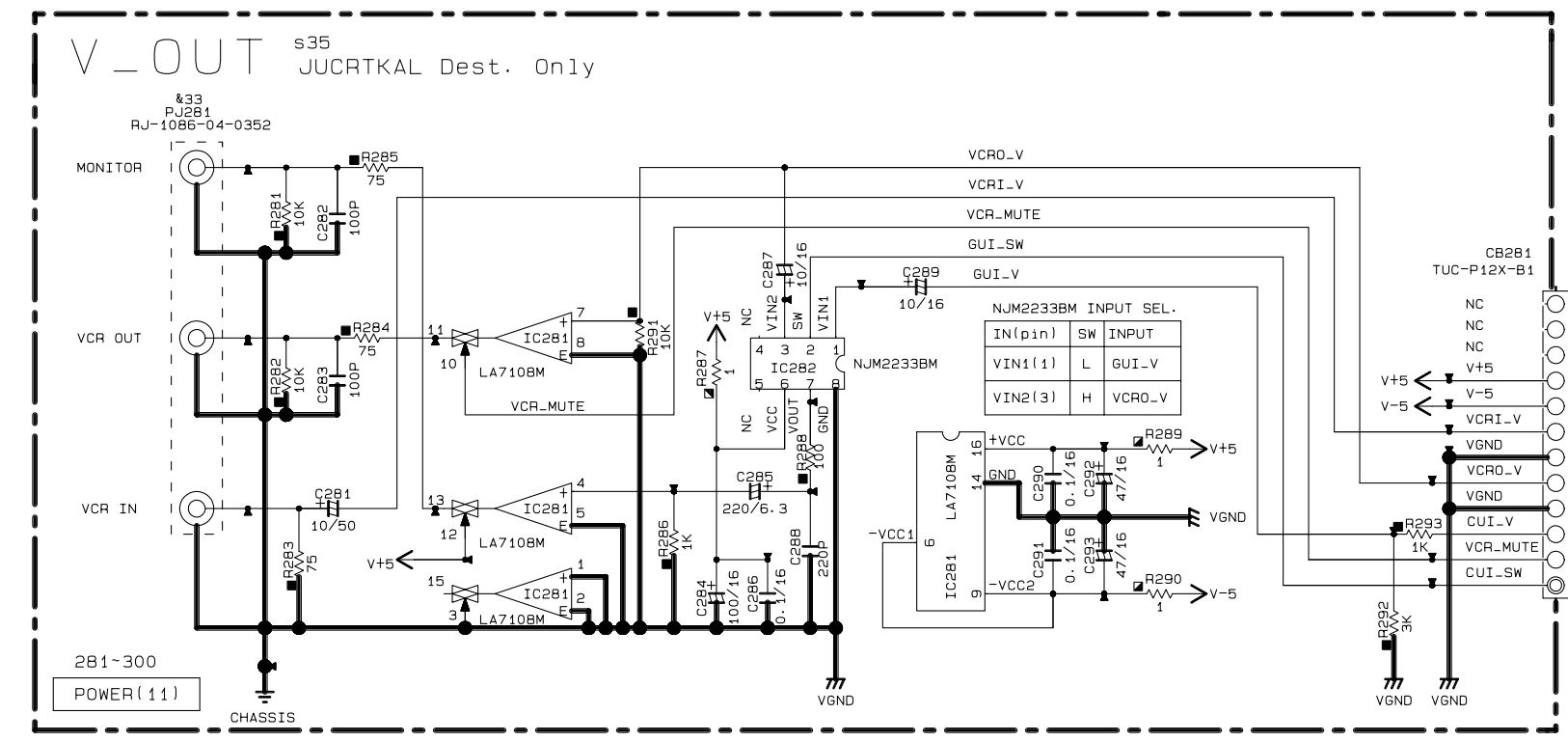
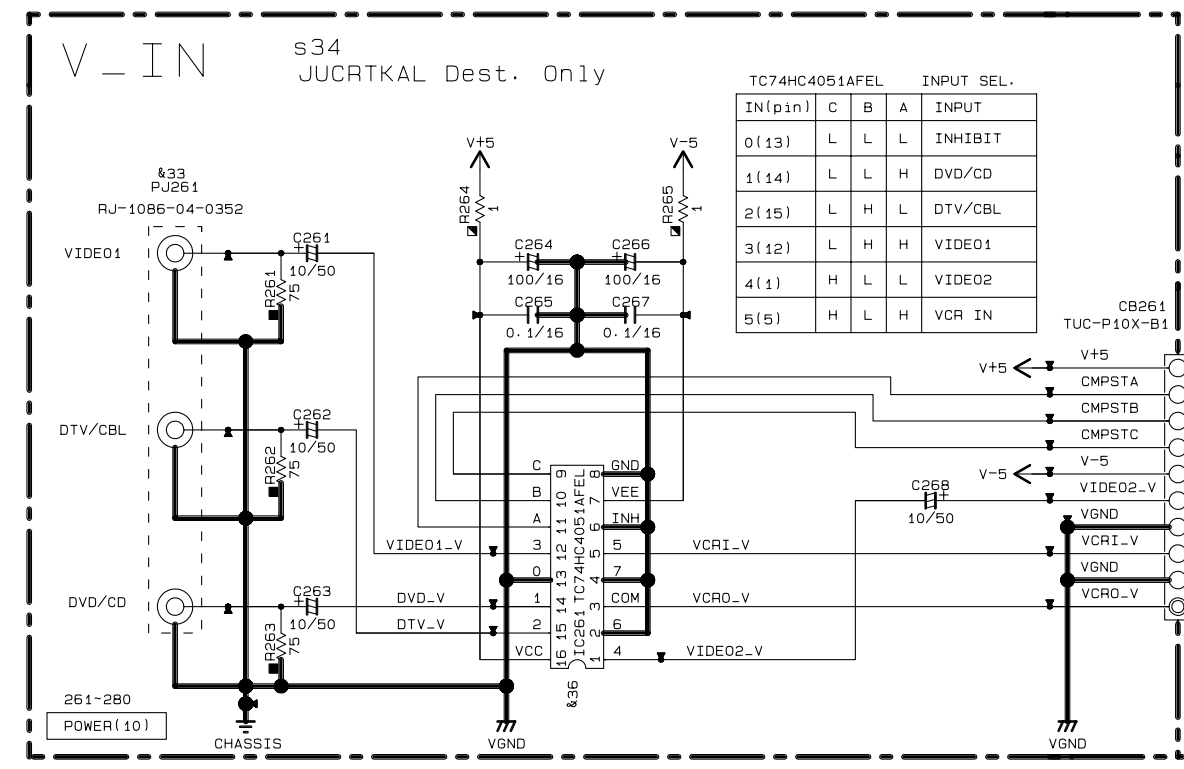
Page 60 [A3] to INPUT (1)



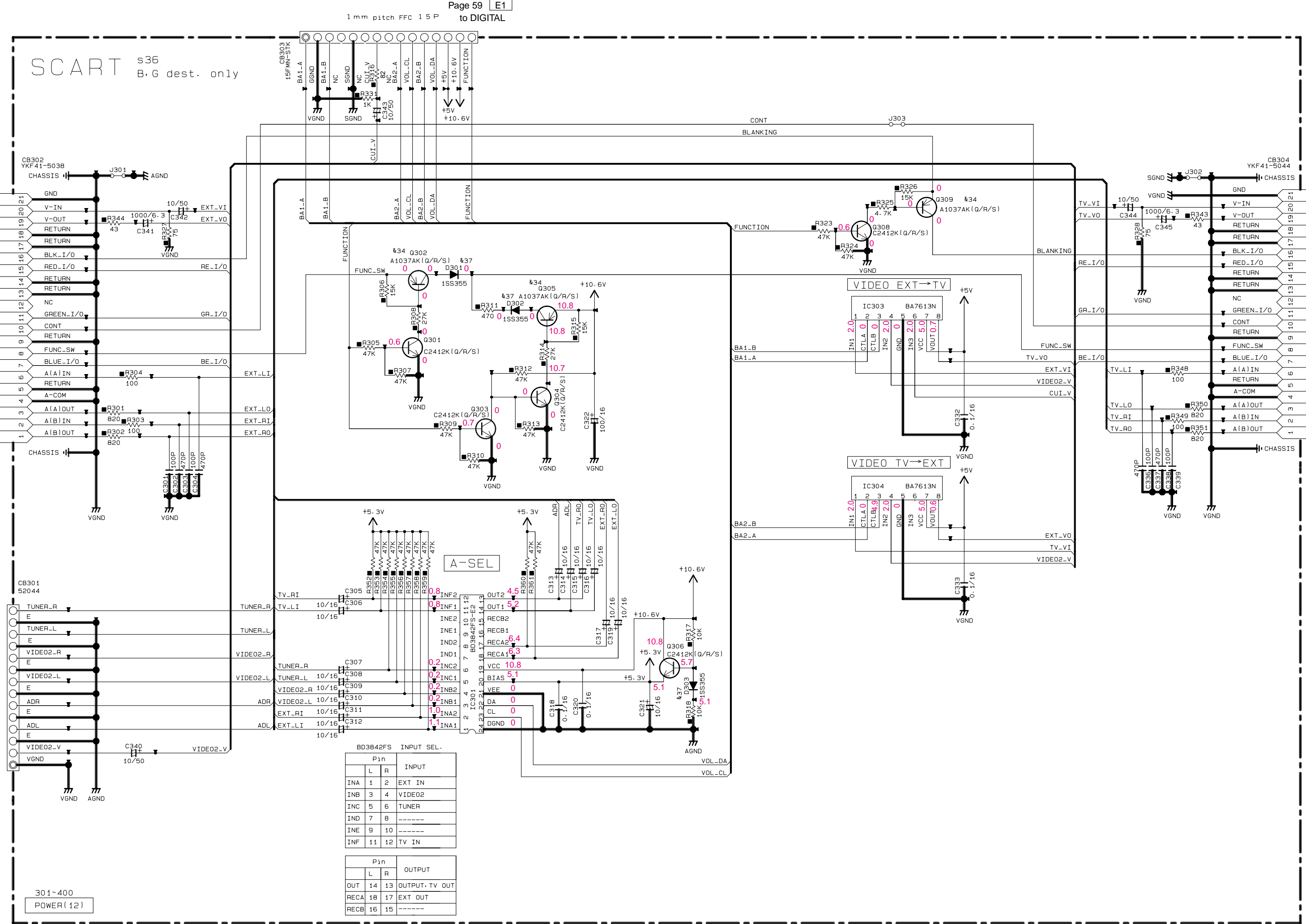
Page 60 [A4] to INPUT (1)



Page 60 [A7] to INPUT (1)



Page 60 [C1] to INPUT (1)



Page 60 [A5] to INPUT (1)

Page 60 [C2] to INPUT (1)

NOTICE (model)
 (J)..... JAPAN
 (U)..... U.S.A
 (C)..... CANADA
 (R)..... GENERAL
 (T)..... CHINA
 (K)..... KOREA
 (A)..... AUSTRALIA
 (B)..... BRITISH
 (G)..... EUROPE
 (L)..... SINGAPORE
 (E)..... SOUTH EUROPE

RESISTOR

REMARKS	PARTS NAME
NO MARK	CARBON FILM RESISTOR (P=5)
△	CARBON FILM RESISTOR (P=10)
▲	METAL OXIDE FILM RESISTOR
△	METAL FILM RESISTOR
□	METAL PLATE RESISTOR
■	FIRE PROOF CARBON FILM RESISTOR
□	CEMENT MOLDED RESISTOR
○	SEMI VARIABLE RESISTOR
■	CHIP RESISTOR

CAPACITOR

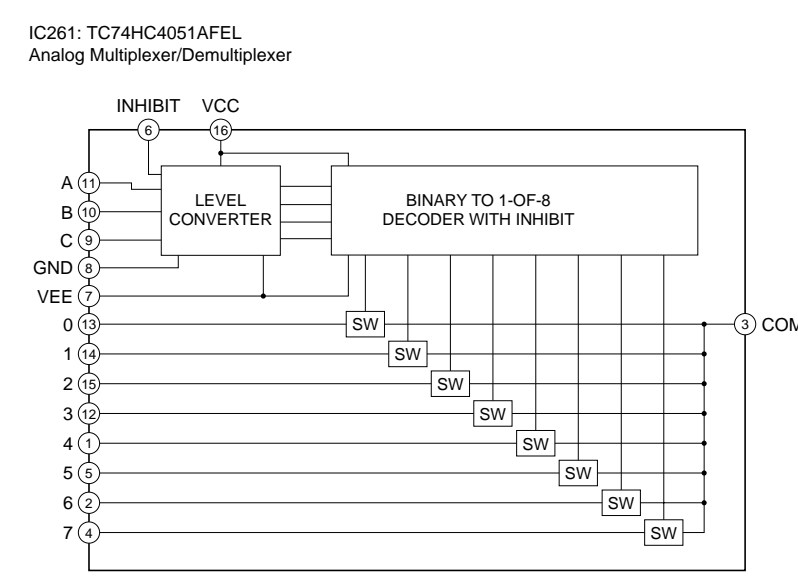
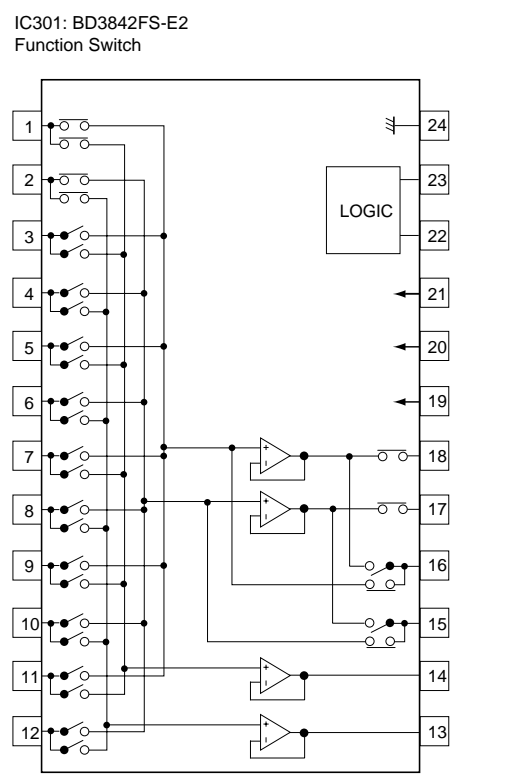
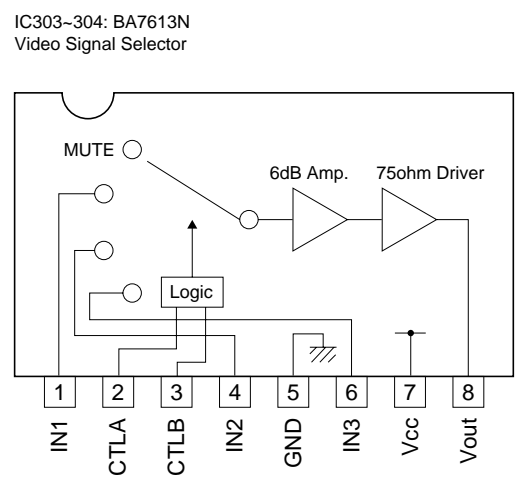
REMARKS	PARTS NAME
NO MARK	ELECTROLYTIC CAPACITOR
⊗	TANTALUM CAPACITOR
NO MARK	CERAMIC CAPACITOR
●	CERAMIC TUBULAR CAPACITOR
⊙	POLYESTER FILM CAPACITOR
⊖	POLYSTYRENE FILM CAPACITOR
⊕	MIKA CAPACITOR
⊖	POLYPROPYLENE FILM CAPACITOR
●	SEMICONDUCTIVE CERAMIC CAPACITOR

Interchangeable Parts at Manufacture-Stage

Mark	Reference Parts Number	Parts Name
△31	PJ201	HSP-246V1-05 YKC21-3951N
△32	PJ221	YKC21-3282N MSP-244V1-05NI
△33	PJ261, PJ281	RJ-1086-04-0395A YKC21-3111N
△34	G302, G305, G309	2SA1037AK(I/R/S) 2SA1235A(E/F)
△35	G221, G222, G241, G242	2SC5938A(A/B) 2SD2704(K)
△36	IC261	TC74HC4051AFEL M74HC4051JX
△37	D301-D303	1SS395 M411 KDS160
△38		

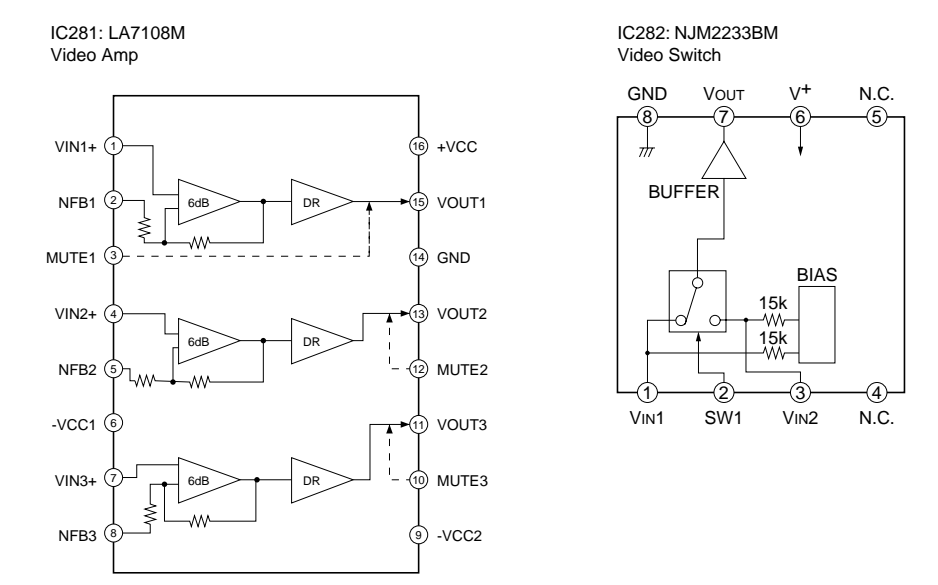
Reference No	JUCRTKAL	B-G
△31 (A_IN)	○	×
△32 (A_OUT)	○	×
△33 (SW_OUT)	×	○
△34 (V_IN)	○	×
△35 (V_OUT)	○	×
△36 (SCART)	×	○
△37		
△38		
△39		
△40		

x: NOT USED
 o: USED / APPLICABLE



INPUT STATES "ON" CHANNEL

INHIBIT	C	B	A	"ON" CHANNEL
0	0	0	0	0
0	0	0	1	1
0	0	1	0	2
0	0	1	1	3
0	1	0	0	4
0	1	0	1	5
0	1	1	0	6
0	1	1	1	7
1	X	X	X	NONE



* All voltages are measured with a 10MΩ/V DC electronic volt meter.
 * Components having special characteristics are marked △ and must be replaced with parts having specifications equal to those originally installed.
 * Schematic diagram is subject to change without notice.
 * 電圧は、内部抵抗10M の電圧計で測定したものです。
 * △印のある部品は、安全性確保部品を示しています。部品の交換が必要な場合、パーツリストに記載されている部品を使用してください。
 * 本回路図は、標準回路図です。改良のため予告なく変更することがございます。

PARTS LIST

■ ELECTRICAL PARTS

■ WARNING

- Components having special characteristics are marked \triangle and must be replaced with parts having specifications equal to those originally installed.

\triangle 印のある部分は、安全確保部品を示しています。部品の交換が必要な場合、パーツリストに記載されている部品を使用してください。
部品価格ランクは、予告なく変更することがあります。

ABBREVIATIONS IN THIS LIST ARE AS FOLLOWS:

C.A.EL.CHP	: CHIP ALUMI.ELECTROLYTIC CAP	L.EMIT	: LIGHT EMITTING MODULE
C.CE	: CERAMIC CAP	LED.DSPLY	: LED DISPLAY
C.CE.ARRAY	: CERAMIC CAP ARRAY	LED.INFRD	: LED,INFRARED
C.CE.CHP	: CHIP CERAMIC CAP	MODUL.RF	: MODULATOR,RF
C.CE.ML	: MULTILAYER CERAMIC CAP	PHOT.CPL	: PHOTO COUPLER
C.CE.M.CHP	: CHIP MULTILAYER CERAMIC CAP	PHOT.INTR	: PHOTO INTERRUPTER
C.CE.SAFTY	: RECOGNIZED CERAMIC CAP	PHOT.RFLCT	: PHOTO REFLECTOR
C.CE.TUBLR	: CERAMIC TUBULAR CAP	PIN.TEST	: PIN,TEST POINT
C.CE.SMI	: SEMI CONDUCTIVE CERAMIC CAP	PLST.RIVET	: PLASTIC RIVET
C.EL	: ELECTROLYTIC CAP	R.ARRAY	: RESISTOR ARRAY
C.MICA	: MICA CAP	R.CAR.	: CARBON RESISTOR
C.ML.FLM	: MULTILAYER FILM CAP	R.CAR.CHP	: CHIP RESISTOR
C.MP	: METALLIZED PAPER CAP	R.CAR.FP	: FLAME PROOF CARBON RESISTOR
C.MYLAR	: MYLAR FILM CAP	R.FUS	: FUSABLE RESISTOR
C.MYLAR.ML	: MULTILAYER MYLAR FILM CAP	R.MTL.CHP	: CHIP METAL FILM RESISTOR
C.PAPER	: PAPER CAPACITOR	R.MTL.FLM	: METAL FILM RESISTOR
C.PLS	: POLYSTYRENE FILM CAP	R.MTL.OXD	: METAL OXIDE FILM RESISTOR
C.POL	: POLYESTER FILM CAP	R.MTL.PLAT	: METAL PLATE RESISTOR
C.POLY	: POLYETHYLENE FILM CAP	RSNR.CE	: CERAMIC RESONATOR
C.PP	: POLYPROPYLENE FILM CAP	RSNR.CRYS	: CRYSTAL RESONATOR
C.TNTL	: TANTALUM CAP	R.TW.CEM	: TWIN CEMENT FIXED RESISTOR
C.TNTL.CHP	: CHIP TANTALUM CAP	R.WW	: WIRE WOUND RESISTOR
C.TRIM	: TRIMMER CAP	SCR.BND.HD	: BIND HEAD B-TITE SCREW
CN	: CONNECTOR	SCR.BW.HD	: BW HEAD TAPPING SCREW
CN.BS.PIN	: CONNECTOR,BASE PIN	SCR.CUP	: CUP TITE SCREW
CN.CANNON	: CONNECTOR,CANNON	SCR.TERM	: SCREW TERMINAL
CN.DIN	: CONNECTOR,DIN	SCR.TR	: SCREW,TRANSISTOR
CN.FLAT	: CONNECTOR,FLAT CABLE	SUPRT.PCB	: SUPPORT,P.C.B.
CN.POST	: CONNECTOR,BASE POST	SURG.PRTCT	: SURGE PROTECTOR
COIL.MX.AM	: COIL,AM MIX	SW.TACT	: TACT SWITCH
COIL.AT.FM	: COIL,FM ANTENNA	SW.LEAF	: LEAF SWITCH
COIL.DT.FM	: COIL,FM DETECT	SW.LEVER	: LEVER SWITCH
COIL.MX.FM	: COIL,FM MIX	SW.MICRO	: MICRO SWITCH
COIL.OUTPT	: OUTPUT COIL	SW.PUSH	: PUSH SWITCH
DIOD.ARRAY	: DIODE ARRAY	SW.RT.ENC	: ROTARY ENCODER
DIODE.BRG	: DIODE BRIDGE	SW.RT.MTR	: ROTARY SWITCH WITH MOTOR
DIODE.CHP	: CHIP DIODE	SW.RT	: ROTARY SWITCH
DIODE.VAR	: VARACTOR DIODE	SW.SLIDE	: SLIDE SWITCH
DIOD.Z.CHP	: CHIP ZENER DIODE	TERM.SP	: SPEAKER TERMINAL
DIODE.ZENR	: ZENER DIODE	TERM.WRAP	: WRAPPING TERMINAL
DSCR.CE	: CERAMIC DISCRIMINATOR	THRMST.CHP	: CHIP THERMISTOR
FER.BEAD	: FERRITE BEADS	TR.CHP	: CHIP TRANSISTOR
FER.CORE	: FERRITE CORE	TR.DGT	: DIGITAL TRANSISTOR
FET.CHP	: CHIP FET	TR.DGT.CHP	: CHIP DIGITAL TRANSISTOR
FL.DSPLY	: FLUORESCENT DISPLAY	TRANS	: TRANSFORMER
FLTR.CE	: CERAMIC FILTER	TRANS.PULS	: PULSE TRANSFORMER
FLTR.COMB	: COMB FILTER MODULE	TRANS.PWR	: POWER TRANSFORMER ASS'Y
FLTR.LC.RF	: LC FILTER,EMI	TUNER.AM	: TUNER PACK,AM
GND.MTL	: GROUND PLATE	TUNER.FM	: TUNER PACK,FM
GND.TERM	: GROUND TERMINAL	TUNER.PK	: FRONT-ENDTUNER PACK
HOLDER.FUS	: FUSE HOLDER	VR	: ROTARY POTENTIOMETER
IC.PRTCT	: IC PROTECTOR	VR.MTR	: POTENTIOMETER WITH MOTOR
JUMPER.CN	: JUMPER CONNECTOR	VR.SW	: POTENTIOMETER WITH ROTARY SW
JUMPER.TST	: JUMPER,TEST POINT	VR.SLIDE	: SLIDE POTENTIOMETER
L.DTCT	: LIGHT DETECTING MODULE	VR.TRIM	: TRIMMER POTENTIOMETER

Note) Those parts marked with “#” are not included in the P.C.B. ass'y.

P.C.B. DIGITAL & P.C.B. INPUT

Schm Ref.	PART NO.	Description	Remarks	Markets	部 品 名	Rank	
*	WD598600	P.C.B.	DIGITAL		J	P C B デジタル	
*	WD598700	P.C.B.	DIGITAL		UCRK	P C B デジタル	
*	WD598800	P.C.B.	DIGITAL		TAL	P C B デジタル	
*	WD598900	P.C.B.	DIGITAL		BG	P C B デジタル	
CB301	WC196500	CN	15P TE FMN			F M Nコネクタ	
CB302	WC196500	CN	15P TE FMN			F M Nコネクタ	
CB303	WC196800	CN	18P TE FMN			F M Nコネクタ	
CB304	WC195800	CN	8P TE FMN			F M Nコネクタ	
CB305	WC196000	CN	10P TE FMN			F M Nコネクタ	
CB306	WC199000	CN	40P TE FMN			F M Nコネクタ	
CB307	WC196500	CN	15P TE FMN		BG	F M Nコネクタ	
CB308	WC195600	CN	6P TE FMN			F M Nコネクタ	
D300	VT332900	DIODE	1SS355			ダイオード	01
D301	VT332900	DIODE	1SS355			ダイオード	01
D302	VU171900	DIODE.ZENR	UDZ5.1B 5.1V			ツェナーダイオード	01
D303	VU171900	DIODE.ZENR	UDZ5.1B 5.1V			ツェナーダイオード	01
D304	WB081800	DIODE	SB01-05Q			ショットキダイオード	
D305	WB081800	DIODE	SB01-05Q			ショットキダイオード	
D306	WB081800	DIODE	SB01-05Q			ショットキダイオード	
D307	WB081800	DIODE	SB01-05Q			ショットキダイオード	
D314	VU171900	DIODE.ZENR	UDZ5.1B 5.1V			ツェナーダイオード	01
G1	WB438000	TERM.GND	M4 SD00433-21			アース端子	
G2	WB438000	TERM.GND	M4 SD00433-21			アース端子	
G3	WB438000	TERM.GND	M4 SD00433-21			アース端子	
G4	WB438000	TERM.GND	M4 SD00433-21			アース端子	
IC300	X4314A00	IC	PQ012FZ01ZP 1.2V1A			電源IC QFP	04
*	IC301	IC	BS62LV1026SC-55			メモリIC 1M	
IC302	X5444A00	IC	LC89057W-VF4D-E			IC	
IC303	X3693A00	IC	SN74LV245APWR TRAN			ロジックIC TSSOP	
IC304	X4570A00	IC	YSS948-V			IC デジタル	09
*	IC306	X5925A00	IC M30622MHP-199FP	MASK ROM		IC	
IC307	X3567A00	IC	YSS930-SZ			IC	08
IC308	XV077B00	IC	MSM514260E-60JS			メモリIC 4M	07
IC309	X0293A00	IC	74VHC157MTCX			ロジックIC TSSOP	02
IC311	X3807A00	IC	AK4628VQ			IC	
*	IC312	X5597A00	IC LC74781JM-9798			IC アナログ	
IC315	XF291A00	IC	uPC4570G2			IC	03
IC316	XF291A00	IC	uPC4570G2			IC	03
IC317	XF291A00	IC	uPC4570G2			IC	03
IC318	XF291A00	IC	uPC4570G2			IC	03
IC319	X3824A00	IC	SN74AHCT08PWR			ロジックIC	01
XL300	V3625700	RSNR.CRYS	24.576MHz			水晶振動子	03
XL301	WB440500	RSNR.CE	CSTCE16MOV53-RO			セラミック発振子	01
XL302	WD280800	RSNR.CRYS	14.31818MHz SMD-49		JUCRK	水晶振動子	
XL302	WD280900	RSNR.CRYS	17.734475MHz SMD-49		TABGL	水晶振動子	03
*	WD597800	P.C.B.	INPUT		J	P C B インプット	
*	WD597900	P.C.B.	INPUT		UC	P C B インプット	
*	WD598000	P.C.B.	INPUT		R	P C B インプット	
*	WD598100	P.C.B.	INPUT		TA	P C B インプット	
*	WD598200	P.C.B.	INPUT		K	P C B インプット	

* New Parts * 新規部品(マーク#の部品は、基板に含まれません)

P.C.B. INPUT

Schm Ref.	PART NO.	Description	Remarks	Markets	部 品 名	Rank
	WD598300	P.C.B.	INPUT		P C B インプット	
	WD598400	P.C.B.	INPUT		P C B インプット	
	CB401	VB390400 CN.BS.PIN	8P		ベースピン	01
	CB402	V7825800 CN	8P TE TUC SERIES	JUCRTKAL	コネクタースタック	
	CB403	V7825900 CN	9P TE TUC SERIES	JUCRTKAL	コネクタースタック	
	CB404	VN394900 CN.BS.PIN	14P	BG	F F Cコネクタースタック	01
	CB405	V7825400 CN	4P TE TUC SERIES	BG	コネクタースタック	01
	CB406	VM923600 CN.BS.PIN	13P		F F Cコネクタースタック	01
	CB407	V7826000 CN	10P TE TUC SERIES	JUCRTKAL	コネクタースタック	01
	CB408	V7826200 CN	12P TE TUC SERIES	JUCRTKAL	コネクタースタック	01
	CB409	WB497000 CN.BS.PIN	40P TE FMN		F F Cコネクタースタック	
	CB410	VQ046900 CN.BS.PIN	5P		F F Cコネクタースタック	01
	CB411	V7414400 CN	15P TE FMN		F M Nコネクタースタック	01
	CB412	VM973500 CN.BS.PIN	17P		F F Cコネクタースタック	01
	CB413	LB918070 CN.BS.PIN	7P		ベース付ポスト	01
	CB551	VQ044400 CN.BS.PIN	9P		F F Cコネクタースタック	01
	CB552	V7414400 CN	15P TE FMN		F M Nコネクタースタック	01
	C412	UM397100 C.EL	10uF 16V		ケミコン	01
	C413	UM397100 C.EL	10uF 16V		ケミコン	01
	C414	UN866330 C.EL	3.3uF 50V		B Pケミコン	01
	C415	UR867330 C.EL	33uF 50V		ケミコン	01
△	C416	UR867330 C.EL	33uF 50V	BG	ケミコン	01
	C423	UR866220 C.EL	2.2uF 50V		ケミコン	01
	C424	UR866220 C.EL	2.2uF 50V	BG	ケミコン	01
	C425	UM397100 C.EL	10uF 16V		ケミコン	01
	C426	UM397100 C.EL	10uF 16V		ケミコン	01
	C427	UR867330 C.EL	33uF 50V	BG	ケミコン	01
	C428	UM397100 C.EL	10uF 16V		ケミコン	01
	C431	UM397100 C.EL	10uF 16V		ケミコン	01
	C438	UM397100 C.EL	10uF 16V		ケミコン	01
	C440	UM397100 C.EL	10uF 16V		ケミコン	01
	C441	UM397100 C.EL	10uF 16V		ケミコン	01
	C442	UM397100 C.EL	10uF 16V		ケミコン	01
	C443	UM397100 C.EL	10uF 16V		ケミコン	01
	C444	UA653470 C.MYLAR	4700pF 50V		マイラーコン	01
	C445	UM397100 C.EL	10uF 16V		ケミコン	01
	C446	UR837470 C.EL	47uF 16V	BG	ケミコン	01
	C447	UA653470 C.MYLAR	4700pF 50V		マイラーコン	01
	C448	UM397100 C.EL	10uF 16V		ケミコン	01
	C449	UA655180 C.MYLAR	0.18uF 50V		マイラーコン	01
	C451	UA655150 C.MYLAR	0.15uF 50V		マイラーコン	01
	C452	UM397100 C.EL	10uF 16V		ケミコン	01
	C453	UR837470 C.EL	47uF 16V	BG	ケミコン	01
	C454	UA655180 C.MYLAR	0.18uF 50V		マイラーコン	01
	C455	UA655150 C.MYLAR	0.15uF 50V		マイラーコン	01
	C459	UM397100 C.EL	10uF 16V		ケミコン	01
	C462	UR837470 C.EL	47uF 16V	BG	ケミコン	01
	C465	UM397220 C.EL	22uF 25V		ケミコン	01
	C466	UM397330 C.EL	33uF 16V		ケミコン	01
	C467	UM416220 C.EL	2.2uF 50V		ケミコン	01
	C468	UM417100 C.EL	10uF 50V		ケミコン	01
	C469	UM417100 C.EL	10uF 50V		ケミコン	01
	C470	UM397100 C.EL	10uF 16V		ケミコン	01

* New Parts * 新規部品(マーク#の部品は、基板に含まれません)

P.C.B. INPUT

Schm Ref.	PART NO.	Description	Remarks	Markets	部 品 名	Rank
C471	UM397100	C.EL	10uF 16V		ケミコン	01
C472	UR867470	C.EL	47uF 50V		ケミコン	01
C473	UR867470	C.EL	47uF 50V		ケミコン	01
C476	UA652100	C.MYLAR	100pF 50V		マイラーコン	01
C477	UA652100	C.MYLAR	100pF 50V		マイラーコン	01
C478	UA652100	C.MYLAR	100pF 50V		マイラーコン	01
C480	UR867470	C.EL	47uF 50V		ケミコン	01
C481	UR867470	C.EL	47uF 50V		ケミコン	01
C484	UR867470	C.EL	47uF 50V		ケミコン	01
C485	UR867470	C.EL	47uF 50V		ケミコン	01
C487	UA654270	C.MYLAR	0.027uF 50V		マイラーコン	01
C488	UA654270	C.MYLAR	0.027uF 50V		マイラーコン	01
C489	UM397100	C.EL	10uF 16V		ケミコン	01
C490	UM397100	C.EL	10uF 16V		ケミコン	01
C491	UM397100	C.EL	10uF 16V		ケミコン	01
C492	UA654270	C.MYLAR	0.027uF 50V		マイラーコン	01
C493	UA654270	C.MYLAR	0.027uF 50V		マイラーコン	01
C497	UA652100	C.MYLAR	100pF 50V		マイラーコン	01
C498	UR838100	C.EL	100uF 16V		ケミコン	01
C499	UR838100	C.EL	100uF 16V		ケミコン	01
C500	UR819100	C.EL	1000uF 6.3V		ケミコン	01
C504	UR819100	C.EL	1000uF 6.3V		ケミコン	01
C505	UT652100	C.PP	100pF 100V		P P コン	01
C506	UT652100	C.PP	100pF 100V		P P コン	01
C508	UR848470	C.EL	470uF 25V		ケミコン	01
C509	UR848100	C.EL	100uF 25V		ケミコン	01
C510	UR848100	C.EL	100uF 25V	JUCRTKAL	ケミコン	01
C511	UR848100	C.EL	100uF 25V	JUCRTKAL	ケミコン	01
C517	UR838100	C.EL	100uF 16V		ケミコン	01
C518	UR838100	C.EL	100uF 16V		ケミコン	01
C519	UR838100	C.EL	100uF 16V		ケミコン	01
C520	UM397470	C.EL	47uF 16V		ケミコン	01
C521	UM397470	C.EL	47uF 16V		ケミコン	01
C523	UN866330	C.EL	3.3uF 50V		B P ケミコン	01
C524	UR818470	C.EL	470uF 6.3V		ケミコン	01
* C525	WD871100	C.EL	4700uF 25V		ケミコン	
* C526	WD871100	C.EL	4700uF 25V		ケミコン	
C527	WC019400	C.EL	10000uF 16V		ケミコン	
C528	UR818100	C.EL	100uF 6.3V		ケミコン	01
C529	UM397100	C.EL	10uF 16V		ケミコン	01
C530	UM397100	C.EL	10uF 16V		ケミコン	01
C533	UA655100	C.MYLAR	0.1uF 50V		マイラーコン	01
C534	UA655100	C.MYLAR	0.1uF 50V		マイラーコン	01
C535	UR818470	C.EL	470uF 6.3V		ケミコン	01
C536	UM397100	C.EL	10uF 16V	JUCRTKAL	ケミコン	01
C537	UM397100	C.EL	10uF 16V	JUCRTKAL	ケミコン	01
C540	UR866100	C.EL	1uF 50V		ケミコン	01
C541	UA655100	C.MYLAR	0.1uF 50V		マイラーコン	01
C542	UM397100	C.EL	10uF 16V		ケミコン	01
C544	UM397100	C.EL	10uF 16V		ケミコン	01
C545	UM397100	C.EL	10uF 16V		ケミコン	01
C546	UN866330	C.EL	3.3uF 50V		B P ケミコン	01
C547	UN866330	C.EL	3.3uF 50V		B P ケミコン	01

* New Parts * 新規部品(マーク#の部品は、基板に含まれません)

P.C.B. INPUT

Schm Ref.	PART NO.	Description	Remarks	Markets	部 品 名	Rank	
	C548	UR819100 C. EL	1000uF 6.3V			ケミコン	01
	C555	UR867220 C. EL	22uF 50V			ケミコン	01
	C562	UR838100 C. EL	100uF 16V			ケミコン	01
	D401	VT332900 DIODE	1SS355			ダイオード	01
△	D402	VU995500 DIODE.ZENR	MA8100-H 10.3V			ツェナーダイオード	02
	D403	VU993000 DIODE.ZENR	MA8056-M 5.6V		BG	ツェナーダイオード	01
	D404	VU994300 DIODE.ZENR	MA8075-H 7.7V			ツェナーダイオード	
	D405	VU994300 DIODE.ZENR	MA8075-H 7.7V			ツェナーダイオード	
	D406	VT332900 DIODE	1SS355			ダイオード	01
	D407	VV220700 DIODE.SHOT	RB501V-40			ショットキーダイオード	01
	D408	VV220700 DIODE.SHOT	RB501V-40		JUCRTKAL	ショットキーダイオード	01
	D409	V6267600 DIODE	RB051L-40			ダイオード	01
	D410	VT332900 DIODE	1SS355			ダイオード	01
	D411	VT332900 DIODE	1SS355			ダイオード	01
	D412	VU172000 DIODE.ZENR	UDZS5.6BTE-17 5.6V			ツェナーダイオード	01
	D413	VU172000 DIODE.ZENR	UDZS5.6BTE-17 5.6V			ツェナーダイオード	01
	D414	VT332900 DIODE	1SS355			ダイオード	01
	D415	VT332900 DIODE	1SS355			ダイオード	01
△	D416	VR253700 DIODE.BRG	S1NB20 1A 200V			D Iブリッジ X 4	02
△	D417	V4269600 DIODE.BRG	D2SBA20 1.5A 200V			ダイオ - ドブリッジ	
	D418	VT332900 DIODE	1SS355			ダイオード	01
	D419	VT332900 DIODE	1SS355			ダイオード	01
	D420	VT332900 DIODE	1SS355			ダイオード	01
	IC401	X4258A00 IC	BD3842FS-E2		JUCRTKAL	I C	
	IC402	XS377A00 IC	BA15218F OP AMP			アンプ I C	01
	IC403	X3546A00 IC	BD3815KS			I C	
	IC404	X0082A00 IC	LC72722PM		BG	I C S O P	
	IC405	X3545A00 IC	BD3812F-E2			I C	
	IC406	XY879A00 IC	TC74HC4053AF(EL)			ロジック I C S O P	03
	IC407	XY879A00 IC	TC74HC4053AF(EL)			ロジック I C S O P	03
	IC408	XF291A00 IC	uPC4570G2			I C	03
	IC409	XF291A00 IC	uPC4570G2			I C	03
	IC411	X3505A00 IC	NJM2068MD-TE2			アンプ I C S O P	02
△	IC412	XJ602A00 IC	NJM78M12FA			I C	02
△	IC413	X2593A00 IC	NJM79M12DL1A(TE1)			電源 I C S M T	02
△	IC414	XS534A00 IC	NJM78M05DL1A(TE1)		JUCRTKAL	電源 I C T O - 2 5 2	02
* △	IC415	X4822A00 IC	NJM79M05DL1A		JUCRTKAL	電源 I C	
△	IC416	XY455A00 IC	PQ1CG21H2F SW			電源 I C S I L	04
	IC417	X5052A00 IC	PQ025EN5MZPH			電源 I C Q F P	
	IC418	XU965A00 IC	uPC29M33T-E1 3.3V			電源 I C	03
	IC419	XY879A00 IC	TC74HC4053AF(EL)			ロジック I C S O P	03
	IC551	XD598A00 IC	TC74HCU04AFEL INV			ロジック I C	01
	IC552	XD598A00 IC	TC74HCU04AFEL INV			ロジック I C	01
	PJ551	V4483900 JACK.PIN	1P YKC21-3895			ピンジャック	
	Q401	VV655000 TR.DGT	DTA114EKA			デジタルトランジスタ	01
△	Q402	VV556400 TR	2SC2412K Q,R,S			トランジスタ	01
△	Q403	VV556400 TR	2SC2412K Q,R,S		BG	トランジスタ	01
*	Q404	WC756200 TR	5938A A,B			トランジスタ 2 S C	
*	Q405	WC756200 TR	5938A A,B			トランジスタ 2 S C	
*	Q406	WC756200 TR	5938A A,B			トランジスタ 2 S C	
*	Q407	WC756200 TR	5938A A,B			トランジスタ 2 S C	
	Q408	iC181510 TR	2SC1815 Y			トランジスタ	01
	Q409	iA101510 TR	2SA1015 Y			トランジスタ	01

* New Parts * 新規部品(マーク#の部品は、基板に含まれません)

P.C.B. INPUT & P.C.B. MAIN

Schm Ref.	PART NO.	Description	Remarks	Markets	部 品 名	Rank
	Q410	VV655000 TR.DGT	DTA114EKA		デジタルトランジスタ	01
*	Q411	WC756200 TR	5938A A,B		トランジスタ 2 S C	
*	Q412	WC756200 TR	5938A A,B		トランジスタ 2 S C	
*	Q413	WC756200 TR	5938A A,B		トランジスタ 2 S C	
*	Q415	WC756200 TR	5938A A,B		トランジスタ 2 S C	
*	Q416	WC756200 TR	5938A A,B		トランジスタ 2 S C	
	Q417	VV655000 TR.DGT	DTA114EKA		デジタルトランジスタ	01
	Q418	VV655000 TR.DGT	DTA114EKA		デジタルトランジスタ	01
	R403	HV753100 R.CAR.FP	1 1/4W		不燃化カーボン抵抗	01
	R417	HV753100 R.CAR.FP	1 1/4W	JUCRTKAL	不燃化カーボン抵抗	01
	R420	HV753100 R.CAR.FP	1 1/4W	JUCRTKAL	不燃化カーボン抵抗	01
	R434	HV753100 R.CAR.FP	1 1/4W		不燃化カーボン抵抗	01
	R435	HV753100 R.CAR.FP	1 1/4W		不燃化カーボン抵抗	01
	R439	HV753100 R.CAR.FP	1 1/4W		不燃化カーボン抵抗	01
	R440	HV753100 R.CAR.FP	1 1/4W		不燃化カーボン抵抗	01
	R469	WB784600 R.MTL.FLM	3.9 1W		金属被膜抵抗	
	R470	VP940200 R.MTL.OXD	47 1W		酸化金属被膜抵抗	01
	R471	HV753100 R.CAR.FP	1 1/4W		不燃化カーボン抵抗	01
	R475	HV753100 R.CAR.FP	1 1/4W		不燃化カーボン抵抗	01
	R476	HV753100 R.CAR.FP	1 1/4W		不燃化カーボン抵抗	01
	R477	HV753100 R.CAR.FP	1 1/4W	JUCRTKAL	不燃化カーボン抵抗	01
	R478	HV753100 R.CAR.FP	1 1/4W	JUCRTKAL	不燃化カーボン抵抗	01
	R493	VP940200 R.MTL.OXD	47 1W		酸化金属被膜抵抗	01
	R505	VU224000 R.MTL.FLM	0.22 1W		金属被膜抵抗	01
*	R506	WB785400 R.MTL.OXD	180 1W	JUCRTKAL	酸化金属被膜抵抗	
	R507	VP940600 R.MTL.OXD	220 1W	JUCRTKAL	酸化金属被膜抵抗	01
	U551	WB001400 CN.PHOT.SN	1P GP1FA553RZ		光ファイバ受信器	04
	U552	WB001400 CN.PHOT.SN	1P GP1FA553RZ		光ファイバ受信器	04
	XL401	V3930900 RSNR.CRYS	4.332MHz	BG	水晶振動子	05
		EG330360 SCR.BND.HD	3x6 MFZN2BL		バインド小ネジ	01
*	WD596800	P.C.B.	MAIN		P C B メイン	
	CB601	LB919030 CN.BS.PIN	3P		ベース付ポスト	01
	CB602	V7827500 SOCKET	8P SE TUC SERIES		コネクターソケット	
	CB603	VQ963000 CN.BS.PIN	9P		ウエハー	01
	CB604	VQ962900 CN.BS.PIN	8P		ウエハー	01
	CB605	VQ962900 CN.BS.PIN	8P		ウエハー	01
	CB606	VQ963000 CN.BS.PIN	9P		ウエハー	01
	CB631	LB919030 CN.BS.PIN	3P		ベース付ポスト	01
	CB632	V7827600 SOCKET	9P SE TUC SERIES		コネクターソケット	
	CB635	VQ962900 CN.BS.PIN	8P		ウエハー	01
	CB636	VQ963000 CN.BS.PIN	9P		ウエハー	01
	CB661	LB919030 CN.BS.PIN	3P		ベース付ポスト	01
	CB662	V7827700 SOCKET	10P SE TUC SERIES		コネクターソケット	
	CB663	VQ963000 CN.BS.PIN	9P		ウエハー	01
	CB664	VQ962900 CN.BS.PIN	8P		ウエハー	01
	CB665	VQ962900 CN.BS.PIN	8P		ウエハー	01
	CB666	VQ963000 CN.BS.PIN	9P		ウエハー	01
	CB691	V7825800 CN	8P TE TUC SERIES		コネクタープラグ	
	CB692	V7825900 CN	9P TE TUC SERIES		コネクタープラグ	
	CB693	V7826000 CN	10P TE TUC SERIES		コネクタープラグ	01

* New Parts * 新規部品(マーク#の部品は、基板に含まれません)

P.C.B. MAIN

Schm Ref.	PART NO.	Description	Remarks	Markets	部 品 名	Rank
CB694	WB832600	CN	6P TE		F M Nコネクタ	01
CB695	VF982300	CN.BS.PIN	17P		F F Cコネクタ	01
C601	UR838100	C.EL	100uF 16V		ケミコン	01
C602	UR857100	C.EL	10uF 35V		ケミコン	01
C603	UR857100	C.EL	10uF 35V		ケミコン	01
C604	UR857100	C.EL	10uF 35V		ケミコン	01
C605	UR857100	C.EL	10uF 35V		ケミコン	01
C631	UR838100	C.EL	100uF 16V		ケミコン	01
C633	UR857100	C.EL	10uF 35V		ケミコン	01
C635	UR857100	C.EL	10uF 35V		ケミコン	01
C661	UR838100	C.EL	100uF 16V		ケミコン	01
C662	UR857100	C.EL	10uF 35V		ケミコン	01
C663	UR857100	C.EL	10uF 35V		ケミコン	01
C664	UR857100	C.EL	10uF 35V		ケミコン	01
C665	UR857100	C.EL	10uF 35V		ケミコン	01
C694	UM397470	C.EL	47uF 16V		ケミコン	01
C695	UM397470	C.EL	47uF 16V		ケミコン	01
C717	UR838100	C.EL	100uF 16V		ケミコン	01
D601	VU995500	D1ODE.ZENR	MA8100-H 10.3V		ツェナーダイオード	02
D602	VU995500	D1ODE.ZENR	MA8100-H 10.3V		ツェナーダイオード	02
D603	VT332900	D1ODE	1SS355		ダイオード	01
D604	VT332900	D1ODE	1SS355		ダイオード	01
D605	VT332900	D1ODE	1SS355		ダイオード	01
D632	VU995500	D1ODE.ZENR	MA8100-H 10.3V		ツェナーダイオード	02
D633	VT332900	D1ODE	1SS355		ダイオード	01
D634	VT332900	D1ODE	1SS355		ダイオード	01
D635	VT332900	D1ODE	1SS355		ダイオード	01
D661	VU995500	D1ODE.ZENR	MA8100-H 10.3V		ツェナーダイオード	02
D662	VU995500	D1ODE.ZENR	MA8100-H 10.3V		ツェナーダイオード	02
D663	VU996200	D1ODE.ZENR	MA8120-M 12.0V		ツェナーダイオード	01
D664	VU996200	D1ODE.ZENR	MA8120-M 12.0V		ツェナーダイオード	01
D665	VT332900	D1ODE	1SS355		ダイオード	01
D666	VT332900	D1ODE	1SS355		ダイオード	01
D667	VT332900	D1ODE	1SS355		ダイオード	01
IC691	X3505A00	IC	NJM2068MD-TE2		アンプIC SOP	02
IC692	X3505A00	IC	NJM2068MD-TE2		アンプIC SOP	02
IC693	X3505A00	IC	NJM2068MD-TE2		アンプIC SOP	02
IC694	XD598A00	IC	TC74HCU04AFEL INV		ロジックIC	01
PN601	V9637500	PIN	L=70 #18		スタイルピン	
Q601	VV556400	TR	2SC2412K Q,R,S		トランジスタ	01
Q602	Vi334100	TR	2SD1760 F5 P,Q,R		トランジスタ	01
Q603	Vi334100	TR	2SD1760 F5 P,Q,R		トランジスタ	01
Q604	VV556400	TR	2SC2412K Q,R,S		トランジスタ	01
Q605	VV556400	TR	2SC2412K Q,R,S		トランジスタ	01
Q631	VV556400	TR	2SC2412K Q,R,S		トランジスタ	01
Q633	Vi334100	TR	2SD1760 F5 P,Q,R		トランジスタ	01
Q634	VV556400	TR	2SC2412K Q,R,S		トランジスタ	01
Q635	VV556400	TR	2SC2412K Q,R,S		トランジスタ	01
Q661	VV556400	TR	2SC2412K Q,R,S		トランジスタ	01
Q662	Vi334100	TR	2SD1760 F5 P,Q,R		トランジスタ	01
Q663	Vi334100	TR	2SD1760 F5 P,Q,R		トランジスタ	01
Q664	VV556400	TR	2SC2412K Q,R,S		トランジスタ	01
Q665	VV556400	TR	2SC2412K Q,R,S		トランジスタ	01

* New Parts * 新規部品(マーク#の部品は、基板に含まれません)

P.C.B. MAIN & P.C.B. POWER

Schm Ref.	PART NO.	Description	Remarks	Markets	部 品 名	Rank
Q666	VV655000	TR. DGT	DTA114EKA		デジタルトランジスタ	01
Q667	VV655400	TR. DGT	DTC114EKA		デジタルトランジスタ	01
Q668	VV655400	TR. DGT	DTC114EKA		デジタルトランジスタ	01
Q691	VV556500	TR	2SA1037K Q, R, S		トランジスタ	01
Q692	VV556500	TR	2SA1037K Q, R, S		トランジスタ	01
Q693	VV556400	TR	2SC2412K Q, R, S		トランジスタ	01
Q694	VV556400	TR	2SC2412K Q, R, S		トランジスタ	01
Q695	VV556400	TR	2SC2412K Q, R, S		トランジスタ	01
R603	VP940900	R. MTL. OXD	560 1W		酸化金属被膜抵抗	
R604	VP940900	R. MTL. OXD	560 1W		酸化金属被膜抵抗	
R634	VP940900	R. MTL. OXD	560 1W		酸化金属被膜抵抗	
R663	VP940900	R. MTL. OXD	560 1W		酸化金属被膜抵抗	
R664	VP940900	R. MTL. OXD	560 1W		酸化金属被膜抵抗	
R722	HV754100	R. CAR. FP	10 1/4W		不燃化カーボン抵抗	01
R723	HV754100	R. CAR. FP	10 1/4W		不燃化カーボン抵抗	01
ST601	WA246200	SCR. TERM	3.5		スクリューターミナル	
ST631	WA246200	SCR. TERM	3.5		スクリューターミナル	
ST661	WA246200	SCR. TERM	3.5		スクリューターミナル	
ST691	V4040500	SCR. TERM	M3		スクリー/ターミナル	01
△ TH661	WC310100	SEN. THERM	NTSA0WF104FN6A0		温度検知用サーミスタ	
XL691	WB924700	RSNR. CE	375KHz CSBLA375K		セラロック	
XL692	WC511200	RSNR. CE	420K CSBLA420KECE		セラミック発振子	
* * * * * * *	WD597000	P. C. B.	POWER	J	P C B パワー	
	WD597100	P. C. B.	POWER	UC	P C B パワー	
	WD597200	P. C. B.	POWER	R	P C B パワー	
	WD597300	P. C. B.	POWER	TK	P C B パワー	
	WD597400	P. C. B.	POWER	A	P C B パワー	
	WD597500	P. C. B.	POWER	BG	P C B パワー	
	WD597600	P. C. B.	POWER	L	P C B パワー	
△ △	CB4	VB389800	CN. BS. PIN	2P	ベースピン	01
	CB5	WA894400	CN	18P TE FMN	FMNコネクター	
	CB6	LB932030	CN. BS. PIN	3P	ベースポスト	01
	CB7	WC050700	HOLDER. FUS	EYF-52BC	ヒューズホルダー	01
	CB8	WC050700	HOLDER. FUS	EYF-52BC	ヒューズホルダー	01
	CB9	VT807100	CN. BS. PIN	2P	ベースポスト	01
	CB10	VG879900	CN. BS. PIN	2P	ベースピン	01
	CB51	LB933050	CN. BS. PIN	5P SE VH	ベースポスト	01
	CB71	LB919040	CN. BS. PIN	4P	ベース付ポスト	01
	CB72	LB919050	CN. BS. PIN	5P	ベース付ポスト	01
	CB73	LB919060	CN. BS. PIN	6P	ベース付ポスト	01
	CB104	V6217900	CN. BS. PIN	10P TE FMN	FFCコネクター	
	CB105	VQ046900	CN. BS. PIN	5P	FFCコネクター	01
	CB161	V6217800	CN. BS. PIN	8P TE FMN	FFCコネクター	01
	CB201	V7827500	SOCKET	8P SE TUC SERIES	コネクターソケット	
	CB221	V7827600	SOCKET	9P SE TUC SERIES	コネクターソケット	
	CB241	V7827100	SOCKET	4P TE TUC SERIES	コネクターソケット	
	CB261	V7827700	SOCKET	10P SE TUC SERIES	コネクターソケット	
	CB281	V7827900	SOCKET	12P TE TUC SERIES	コネクターソケット	01
	CB301	VF982200	CN. BS. PIN	14P	コネクター	02
	CB302	WA247900	CN	21P YKF41-5038	R G B コネクタ	03

* New Parts * 新規部品(マーク#の部品は、基板に含まれません)

P.C.B. POWER

Schm Ref.	PART NO.	Description	Remarks	Markets	部 品 名	Rank	
* CB303	V7414100	CN	15P SE FMN		BG	F M Nコネクタ	
* CB304	WB497100	CN	21P YKF41-5044		BG	R G Bコネクタ	
C4	UR837100	C.EL	10uF 16V		BG	ケミコン	01
C5	UR837100	C.EL	10uF 16V		BG	ケミコン	01
C7	WB165500	C.EL	0.33F 5.5V			ゴールドキャパシタ	
C8	UR819100	C.EL	1000uF 6.3V			ケミコン	01
C9	UR867100	C.EL	10uF 50V			ケミコン	01
C10	UR866100	C.EL	1uF 50V			ケミコン	01
C11	UR866220	C.EL	2.2uF 50V			ケミコン	01
C13	V7409000	C.EL	180uF 16V			ケミコン	02
C14	UR839100	C.EL	1000uF 16V			ケミコン	01
C15	UR839100	C.EL	1000uF 16V			ケミコン	01
C16	UR867470	C.EL	47uF 50V			ケミコン	01
C17	UR867470	C.EL	47uF 50V			ケミコン	01
C18	UR867220	C.EL	22uF 50V			ケミコン	01
C19	UR867470	C.EL	47uF 50V			ケミコン	01
C20	UR848100	C.EL	100uF 25V			ケミコン	01
C21	UR866470	C.EL	4.7uF 50V			ケミコン	01
C22	UR867100	C.EL	10uF 50V			ケミコン	01
△ C23	WC272500	C.EL	6800uF 50V			ケミコン	
△ C24	WC272500	C.EL	6800uF 50V			ケミコン	
C26	VR325100	C.MYLAR	0.01uF 100V			マイラーコン	01
C27	VT898000	C.MYLAR	0.1uF 100V			マイラーコン	
C28	VT898000	C.MYLAR	0.1uF 100V			マイラーコン	
△ C29	V6185300	C.CE.SAFTY	0.01uF 275V			規格認定コン	
C30	UR866100	C.EL	1uF 50V			ケミコン	01
C31	UR866100	C.EL	1uF 50V			ケミコン	01
C34	UR818220	C.EL	220uF 6.3V			ケミコン	01
C78	UA654100	C.MYLAR	0.01uF 50V			マイラーコン	01
C79	UA654100	C.MYLAR	0.01uF 50V			マイラーコン	01
C80	UA654100	C.MYLAR	0.01uF 50V			マイラーコン	01
C81	UA654100	C.MYLAR	0.01uF 50V			マイラーコン	01
C82	UA654100	C.MYLAR	0.01uF 50V			マイラーコン	01
C120	UM388330	C.EL	330uF 6.3V			ケミコン	01
C161	VF466700	C.CE.TUBLR	47pF 50V			円筒セラコン	01
C165	VF466700	C.CE.TUBLR	47pF 50V			円筒セラコン	01
C169	UR837470	C.EL	47uF 16V			ケミコン	01
C171	VF466700	C.CE.TUBLR	47pF 50V			円筒セラコン	01
C226	UR837100	C.EL	10uF 16V		JUCRTKAL	ケミコン	01
C227	UR837100	C.EL	10uF 16V		JUCRTKAL	ケミコン	01
C261	UR867100	C.EL	10uF 50V		JUCRTKAL	ケミコン	01
C262	UR867100	C.EL	10uF 50V		JUCRTKAL	ケミコン	01
C263	UR867100	C.EL	10uF 50V		JUCRTKAL	ケミコン	01
C264	UR838100	C.EL	100uF 16V		JUCRTKAL	ケミコン	01
C266	UR838100	C.EL	100uF 16V		JUCRTKAL	ケミコン	01
C268	UR867100	C.EL	10uF 50V		JUCRTKAL	ケミコン	01
C281	UR867100	C.EL	10uF 50V		JUCRTKAL	ケミコン	01
C284	UR838100	C.EL	100uF 16V		JUCRTKAL	ケミコン	01
C285	UR818220	C.EL	220uF 6.3V		JUCRTKAL	ケミコン	01
C287	UR837100	C.EL	10uF 16V		JUCRTKAL	ケミコン	01
C289	UR837100	C.EL	10uF 16V		JUCRTKAL	ケミコン	01
C292	UR837470	C.EL	47uF 16V		JUCRTKAL	ケミコン	01
C293	UR837470	C.EL	47uF 16V		JUCRTKAL	ケミコン	01

* New Parts * 新規部品(マーク#の部品は、基板に含まれません)

P.C.B. POWER

Schm Ref.	PART NO.	Description	Remarks	Markets	部 品 名	Rank	
C305	UR837100	C.EL	10uF 16V		BG	ケミコン	01
C306	UR837100	C.EL	10uF 16V		BG	ケミコン	01
C307	UR837100	C.EL	10uF 16V		BG	ケミコン	01
C308	UR837100	C.EL	10uF 16V		BG	ケミコン	01
C309	UR837100	C.EL	10uF 16V		BG	ケミコン	01
C310	UR837100	C.EL	10uF 16V		BG	ケミコン	01
C311	UR837100	C.EL	10uF 16V		BG	ケミコン	01
C312	UR837100	C.EL	10uF 16V		BG	ケミコン	01
C313	UR837100	C.EL	10uF 16V		BG	ケミコン	01
C314	UR837100	C.EL	10uF 16V		BG	ケミコン	01
C315	UR837100	C.EL	10uF 16V		BG	ケミコン	01
C316	UR837100	C.EL	10uF 16V		BG	ケミコン	01
C317	UR837100	C.EL	10uF 16V		BG	ケミコン	01
C319	UR837100	C.EL	10uF 16V		BG	ケミコン	01
C321	UR837100	C.EL	10uF 16V		BG	ケミコン	01
C322	UR838100	C.EL	100uF 16V		BG	ケミコン	01
C340	UR867100	C.EL	10uF 50V		BG	ケミコン	01
C341	UR819100	C.EL	1000uF 6.3V		BG	ケミコン	01
C342	UR867100	C.EL	10uF 50V		BG	ケミコン	01
C343	UR867100	C.EL	10uF 50V		BG	ケミコン	01
C344	UR867100	C.EL	10uF 50V		BG	ケミコン	01
C345	UR819100	C.EL	1000uF 6.3V		BG	ケミコン	01
* D2	VU995900	DIODE.ZENR	MA8110-H 11.3V		BG	ツェナーダイオード	
D3	VV833200	DIODE	1SS380			ダイオード	01
D4	VV307700	DIODE	1N4002S			ダイオード	01
D5	VT332900	DIODE	1SS355		BG	ダイオード	01
D6	VT332900	DIODE	1SS355			ダイオード	01
D7	VT332900	DIODE	1SS355		BG	ダイオード	01
D8	VU993500	DIODE.ZENR	MA8062-H 6.4V			ツェナーダイオード	01
D9	VT332900	DIODE	1SS355			ダイオード	01
D10	VU993400	DIODE.ZENR	MA8062-M 6.2V			ツェナーダイオード	01
D11	VU999500	DIODE.ZENR	MA8270-M 27V			ツェナーダイオード	01
△ D12	VR253700	DIODE.BRG	S1NB20 1A 200V			D Iブリッジ X 4	02
D13	VT532500	DIODE	1SR154-400			ダイオード	01
D14	VT532500	DIODE	1SR154-400			ダイオード	01
△ D15	VN011400	DIODE.BRG	D5SB20 5A 200V			ダイオード	03
D16	VT332900	DIODE	1SS355			ダイオード	01
D17	VT332900	DIODE	1SS355			ダイオード	01
D18	VU996200	DIODE.ZENR	MA8120-M 12.0V			ツェナーダイオード	01
D101	VU172300	DIODE.ZENR	UDZ7.5B 7.5V			ツェナーダイオード	01
D301	VT332900	DIODE	1SS355		BG	ダイオード	01
D302	VT332900	DIODE	1SS355		BG	ダイオード	01
D303	VT332900	DIODE	1SS355		BG	ダイオード	01
△ F1	VS823000	FUSE	T5A 125V		JUCR	ヒューズ	01
△ F1	VT942800	FUSE	2A 250V		TKABGL	ヒューズ 2 5 0 V	01
IC1	XL450A00	IC	PQ05RA1 +5V 1.0A			電源 I C T O - 2 2 0	03
IC101	X2874A00	IC	M66003-0101FP FLD			アンプ I C	08
IC261	XY549A00	IC	TC74HC4051AFEL		JUCRTKAL	ロジック I C S O P	02
IC281	XW911A00	IC	LA7108M VIDEO AMP		JUCRTKAL	アンプ I C	04
IC282	XZ004A00	IC	NJM2233BM		JUCRTKAL	I C	03
IC301	X4258A00	IC	BD3842FS-E2		BG	I C	
* IC303	XR866A00	IC	BA7613N		BG	アンプ I C S I P	
* IC304	XR866A00	IC	BA7613N		BG	アンプ I C S I P	

* New Parts * 新規部品(マーク#の部品は、基板に含まれません)

P.C.B. POWER

Schm Ref.	PART NO.	Description	Remarks	Markets	部 品 名	Rank
JK161	WB071300	JACK.MNI	LGS6516-0100		ミニジャック	03
PJ161	V6753000	JACK.PIN	3P		ピンジャック	
PJ201	V2069700	JACK.PIN	6P	JUCRTKAL	ピンジャック	05
PJ221	VM725900	JACK.PIN	4P	JUCRTKAL	ピンジャック	02
PJ222	V7189700	JACK.PIN	1P	JUCRTKAL	ピンジャック	01
PJ241	V7189700	JACK.PIN	1P	BG	ピンジャック	01
PJ261	VV852500	JACK.PIN	3P	JUCRTKAL	ピンジャック	03
PJ281	VV852500	JACK.PIN	3P	JUCRTKAL	ピンジャック	03
PN1	V9637500	PIN	L=70 #18		スタイルピン	
PN101	V9637500	PIN	L=70 #18		スタイルピン	
PN161	V9637500	PIN	L=70 #18		スタイルピン	
Q3	VV556400	TR	2SC2412K Q,R,S	BG	トランジスタ	01
Q4	VV655700	TR.DGT	DTC144EKA		デジタルトランジスタ	01
Q5	VV556500	TR	2SA1037K Q,R,S	BG	トランジスタ	01
Q6	VV556400	TR	2SC2412K Q,R,S	BG	トランジスタ	01
Q7	VP872700	TR	2SC4488 S,T		トランジスタ	01
Q8	VV556400	TR	2SC2412K Q,R,S	BG	トランジスタ	01
Q9	VV556500	TR	2SA1037K Q,R,S		トランジスタ	01
△ Q10	VR510800	TR	2SD2396 J,K		トランジスタ	02
Q11	VV556400	TR	2SC2412K Q,R,S		トランジスタ	01
Q12	iC174020	TR	2SC1740S R,S		トランジスタ	01
△ Q13	VG805300	TR	2SA1674 R,S		トランジスタ	01
Q14	VV556400	TR	2SC2412K Q,R,S		トランジスタ	01
Q15	VV556400	TR	2SC2412K Q,R,S		トランジスタ	01
Q102	VV556400	TR	2SC2412K Q,R,S		トランジスタ	01
Q103	VV556400	TR	2SC2412K Q,R,S		トランジスタ	01
Q106	VV556400	TR	2SC2412K Q,R,S		トランジスタ	01
Q108	VV556400	TR	2SC2412K Q,R,S		トランジスタ	01
Q161	VV556400	TR	2SC2412K Q,R,S		トランジスタ	01
Q162	VV556500	TR	2SA1037K Q,R,S		トランジスタ	01
* Q221	WC756200	TR	5938A A,B	JUCRTKAL	トランジスタ 2 S C	
* Q222	WC756200	TR	5938A A,B	JUCRTKAL	トランジスタ 2 S C	
* Q241	WC756200	TR	5938A A,B	BG	トランジスタ 2 S C	
* Q242	WC756200	TR	5938A A,B	BG	トランジスタ 2 S C	
Q301	VV556400	TR	2SC2412K Q,R,S	BG	トランジスタ	01
Q302	VV556500	TR	2SA1037K Q,R,S	BG	トランジスタ	01
Q303	VV556400	TR	2SC2412K Q,R,S	BG	トランジスタ	01
Q304	VV556400	TR	2SC2412K Q,R,S	BG	トランジスタ	01
Q305	VV556500	TR	2SA1037K Q,R,S	BG	トランジスタ	01
Q306	VV556400	TR	2SC2412K Q,R,S	BG	トランジスタ	01
Q308	VV556400	TR	2SC2412K Q,R,S	BG	トランジスタ	01
Q309	VV556500	TR	2SA1037K Q,R,S	BG	トランジスタ	01
R21	HV753220	R.CAR.FP	2.2 1/4W		不燃化カーボン抵抗	01
R28	HV755180	R.CAR.FP	180 1/4W		不燃化カーボン抵抗	01
R29	HV756390	R.CAR.FP	3.9K 1/4W		不燃化カーボン抵抗	01
△ R30	VP940500	R.MTL.OXD	150 1W		酸化金属被膜抵抗	01
△ R31	VP940400	R.MTL.OXD	100 1W		酸化金属被膜抵抗	01
△ R34	V6730000	R.CAR.	2.2M 1/2W	UC	放電抵抗	01
R38	VP941500	R.MTL.OXD	4.7K 1W		酸化金属被膜抵抗	01
R264	HV753100	R.CAR.FP	1 1/4W	JUCRTKAL	不燃化カーボン抵抗	01
R265	HV753100	R.CAR.FP	1 1/4W	JUCRTKAL	不燃化カーボン抵抗	01
R287	HV753100	R.CAR.FP	1 1/4W	JUCRTKAL	不燃化カーボン抵抗	01
R289	HV753100	R.CAR.FP	1 1/4W	JUCRTKAL	不燃化カーボン抵抗	01

* New Parts * 新規部品(マーク#の部品は、基板に含まれません)

P.C.B. POWER

Schm Ref.	PART NO.	Description	Remarks	Markets	部 品 名	Rank		
	R290	HV753100	R. CAR. FP	1 1/4W		JUCRTKAL	不燃化カーボン抵抗	01
△	RY1	V6017400	RELAY	DC SDT-S-112LMR2			リレー 12V	04
	ST241	V4040500	SCR. TERM	M3		BG	スクリュー/ターミナル	01
	SW51	VZ075500	SW. SLIDE	SL14-22AM5F		BG	スライドSW	03
*	SW101	WD872500	VR	XRE0122PVB20FINB1			12形エンコーダー	
*	SW102	WD483100	SW. TACT	SKRGAAD010			タクト SW	
*	SW103	WD483100	SW. TACT	SKRGAAD010			タクト SW	
*	SW104	WD483100	SW. TACT	SKRGAAD010			タクト SW	
*	SW191	WD483100	SW. TACT	SKRGAAD010			タクト SW	
△	T1	X4607A00	TRANS. PWR			J	電源トランス	
△	T1	X4608A00	TRANS. PWR			UC	電源トランス	
△	T1	X4609A00	TRANS. PWR			R	電源トランス	
△	T1	X4610A00	TRANS. PWR			TKL	電源トランス	
△	T1	X4611A00	TRANS. PWR			A	電源トランス	
△	T1	X4612A00	TRANS. PWR			BG	電源トランス	
*	TE71	WD391700	TERM. SP	LQR1A10-0001FM			スピーカターミナル	
△	TH1	V7962300	THRMST. CHP	NCP18WF104J03RB			チップサーミスタ	01
	U101	V8210200	L. DTCT	GP1UD271XK			リモコン受光ユニット	03
	U161	WB547900	SEN. PHOT	1P GP1FA513RZ			光ファイバ受信器	03
	V101	WB569700	FL. DSPLY	HNA-16SM08T			蛍光表示管	
		WC255500	SHEET				シート/F L	
		V6203300	SPACER				スペーサーF L	
		WB692100	SUPRT				サポート/F L	

* New Parts * 新規部品(マーク#の部品は、基板に含まれません)

Chip Parts

Schm Ref.	PART NO.	Description	Remarks	Markets	部 品 名	Rank
	UF028100	C.EL.CHP 100uF 10V			チップケミコン	01
	UF037100	C.EL.CHP 10uF 16V			チップケミコン	01
	UF037470	C.EL.CHP 47uF 16V			チップケミコン	01
	UF066100	C.EL.CHP 1uF 50V			チップケミコン	01
	UF066220	C.EL.CHP 2.2uF 50V			チップケミコン	01
	US034470	C.CE.M.CHP 0.047uF 16V			チップセラコン	01
	US060700	C.CE.CHP 7pF 50V			チップセラコン	01
	US060800	C.CE.CHP 8pF 50V			チップセラコン	01
	US061100	C.CE.M.CHP 10pF 50V			チップセラコン	01
	US061180	C.CE.CHP 18pF 50V			チップセラコン	01
	US061220	C.CE.M.CHP 22pF 50V			チップセラコン	01
	US061240	C.CE.CHP 24pF 50V			チップセラ (C H)	01
	US061270	C.CE.M.CHP 27pF 50V			チップセラコン	01
	US061330	C.CE.M.CHP 33pF 50V			チップセラコン	01
	US061470	C.CE.M.CHP 47pF 50V			チップセラコン	01
	US062100	C.CE.M.CHP 100pF 50V			チップセラコン	01
	US062220	C.CE.CHP 220pF 50V			チップセラコン	01
	US062330	C.CE.M.CHP 330pF 50V			チップセラコン	01
	US062470	C.CE.M.CHP 470pF 50V			チップセラコン	01
	US062680	C.CE.M.CHP 680pF 50V			チップセラコン	01
	US063100	C.CE.M.CHP 1000pF 50V			チップセラコン	01
	US063120	C.CE.M.CHP 1200pF 50V			チップセラコン	01
	US063390	C.CE.CHP 3900pF 50V			チップセラコン	01
	US063470	C.CE.CHP 4700pF 50V			チップセラコン	01
	US064100	C.CE.M.CHP 0.01uF 50V			チップセラコン	01
	US065100	C.CE.M.CHP 0.1uF 50V			チップセラ F	01
	US126100	C.CE.CHP 1uF 10V			チップセラ F	01
	US135100	C.CE.CHP 0.1uF 16V			チップセラコン	01
	V3480600	C.CE.CHP 1uF 10V			チップセラ	01
	RD350000	R.CHP 0 1/16W			チップ抵抗	01
	RD353100	R.CHP 1 1/16W			チップ抵抗	01
	RD353220	R.CHP 2.2 1/16W			チップ抵抗	01
	RD354100	R.CHP 10 1/16W			チップ抵抗	01
	RD354220	R.CHP 22 1/16W			チップ抵抗	01
	RD354270	R.CHP 27 1/16W			チップ抵抗	01
	RD354430	R.CHP 43 1/16W			チップ抵抗	01
	RD354470	R.CHP 47 1/16W			チップ抵抗	01
	RD354750	R.CHP 75 1/16W			チップ抵抗	01
	RD354820	R.CHP 82 1/16W			チップ抵抗	01
	RD355100	R.CHP 100 1/16W			チップ抵抗	01
	RD355220	R.CHP 220 1/16W			チップ抵抗	01
	RD355330	R.CHP 330 1/16W			チップ抵抗	01
	RD355470	R.CHP 470 1/16W			チップ抵抗	01
	RD355680	R.CHP 680 1/16W			チップ抵抗	01
	RD355820	R.CHP 820 1/16W			チップ抵抗	01
	RD355910	R.CHP 910 1/16W			チップ抵抗	01
	RD356100	R.CHP 1K 1/16W			チップ抵抗	01
	RD356120	R.CHP 1.2K 1/16W			チップ抵抗	01
	RD356150	R.CHP 1.5K 1/16W			チップ抵抗	01
	RD356180	R.CHP 1.8K 1/16W			チップ抵抗	01
	RD356200	R.CHP 2K 1/16W			チップ抵抗	01
	RD356220	R.CHP 2.2K 1/16W			チップ抵抗	01
	RD356270	R.CHP 2.7K 1/16W			チップ抵抗	01

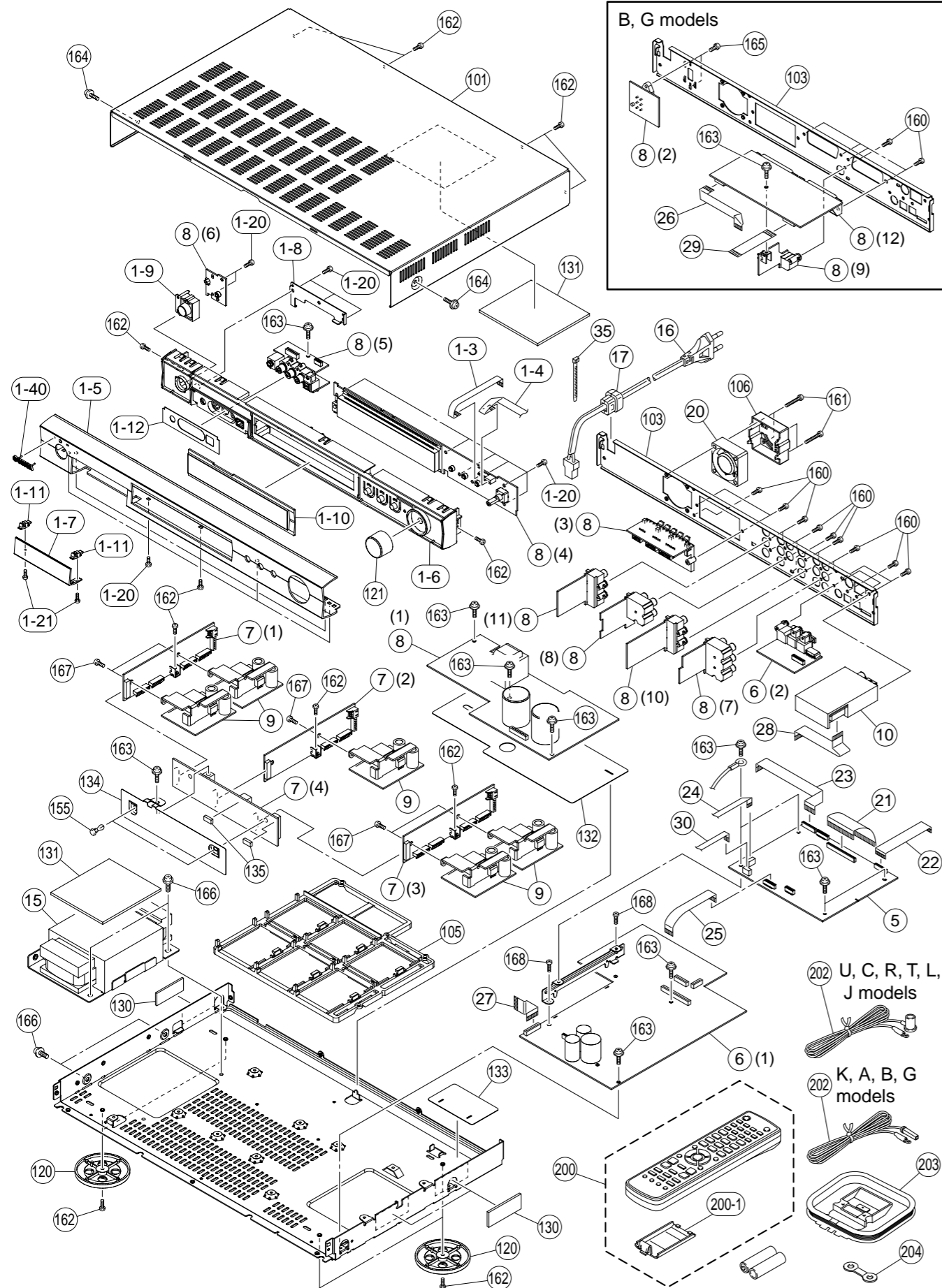
* New Parts * 新規部品(マーク#の部品は、基板に含まれません)

Chip Parts

Schm Ref.	PART NO.	Description	Remarks	Markets	部 品 名	Rank
	RD356330	R.CHP 3.3K 1/16W			チップ抵抗	01
	RD356390	R.CHP 3.9K 1/16W			チップ抵抗	01
	RD356430	R.CHP 4.3K 1/16W			チップ抵抗	01
	RD356470	R.CHP 4.7K 1/16W			チップ抵抗	01
	RD356510	R.CHP 5.1K 1/16W			チップ抵抗	01
	RD356560	R.CHP 5.6K 1/16W			チップ抵抗	01
	RD356680	R.CHP 6.8K 1/16W			チップ抵抗	01
	RD356820	R.CHP 8.2K 1/16W			チップ抵抗	01
	RD357100	R.CHP 10K 1/16W			チップ抵抗	01
	RD357120	R.CHP 12K 1/16W			チップ抵抗	01
	RD357130	R.CHP 13K 1/16W			チップ抵抗	01
	RD357150	R.CHP 15K 1/16W			チップ抵抗	01
	RD357180	R.CHP 18K 1/16W			チップ抵抗	01
	RD357200	R.CHP 20K 1/16W			チップ抵抗	01
	RD357220	R.CHP 22K 1/16W			チップ抵抗	01
	RD357270	R.CHP 27K 1/16W			チップ抵抗	01
	RD357330	R.CHP 33K 1/16W			チップ抵抗	01
	RD357470	R.CHP 47K 1/16W			チップ抵抗	01
	RD357560	R.CHP 56K 1/16W			チップ抵抗	01
	RD357680	R.CHP 68K 1/16W			チップ抵抗	01
	RD357820	R.CHP 82K 1/16W			チップ抵抗	01
	RD358100	R.CHP 100K 1/16W			チップ抵抗	01
	RD358150	R.CHP 150K 1/16W			チップ抵抗	01
	RD358220	R.CHP 220K 1/16W			チップ抵抗	01
	RD359100	R.CHP 1M 1/16W			チップ抵抗	01
	RD359220	R.CHP 2.2M 1/16W			チップ抵抗	01

* New Parts * 新規部品(マーク#の部品は、基板に含まれません)

EXPLODED VIEW



MECHANICAL PARTS

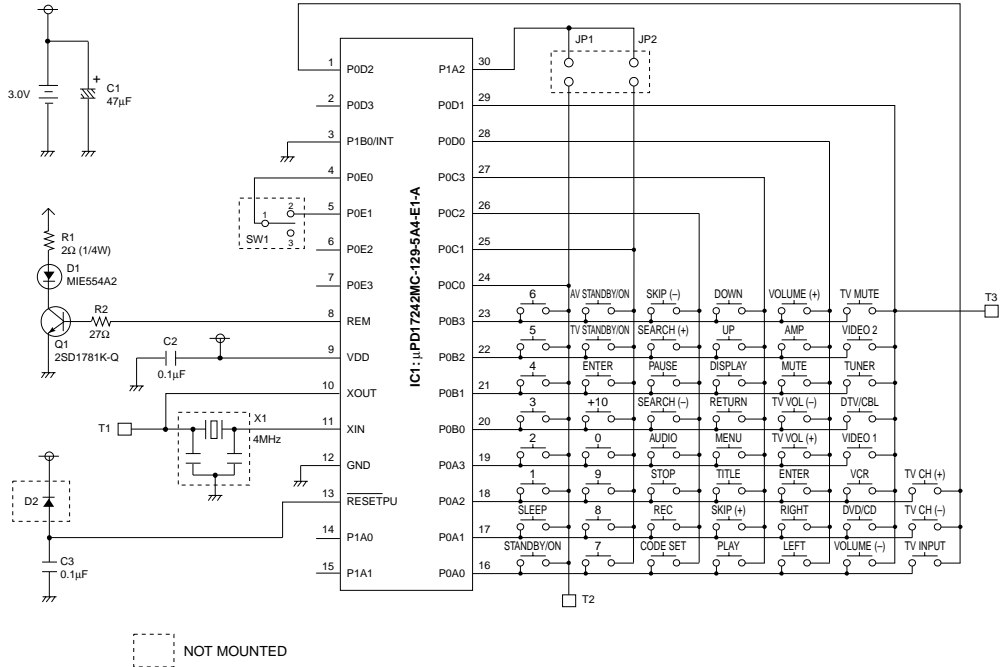
Schm Ref.	PART NO.	Description	Remarks	Markets	部品名	Rank
1-3	MFA10100	FLEXIBLE FLAT CABLE	10P 100mm P=1.0		カード電線	
1-4	MF105100	FLEXIBLE FLAT CABLE	5P 100mm P=1.25		カード電線 C & C	01
* 1-5	WD369000	FRONT PANEL		SI	フロントパネル	
* 1-5	WD368800	FRONT PANEL		SI	フロントパネル	
* 1-5	WD368900	FRONT PANEL		SI	フロントパネル	
1-6	WB690600	SUB PANEL		SI	サブパネル	
1-7	WB690000	PANEL/LID		SI	パネル/リッド	08
1-8	WB689300	SPRING/LID			スプリング/リッド	
1-9	WB691000	BUTTON/POWER	STANDBY/ON	SI	ボタン/パワー	03
1-10	WB690900	WINDOW			ウインドウ	
1-11	WB691800	HINGE/LID		SI	ヒンジ/リッド	
* 1-12	WD537800	PLATE/SP		SI	プレート/SP	
1-20	EP630220	BIND HEAD P-TIGHT SCREW	3x8 MFZN2BL		バインドPタイトネジ	01
1-21	VG893800	BIND HEAD P-TIGHT SCREW	2x6 MFZN2BL		バインドPタイトネジ	01
1-40	V6034100	EMBLEM	BL		エンブレム	03
* 5	WD598600	P.C.B. ASS'Y	DIGITAL	J	P C B デジタル	
* 5	WD598700	P.C.B. ASS'Y	DIGITAL	UCRK	P C B デジタル	
* 5	WD598800	P.C.B. ASS'Y	DIGITAL	TAL	P C B デジタル	
* 5	WD598900	P.C.B. ASS'Y	DIGITAL	BG	P C B デジタル	
* 6	WD597800	P.C.B. ASS'Y	INPUT	J	P C B インプット	
* 6	WD597900	P.C.B. ASS'Y	INPUT	UC	P C B インプット	
* 6	WD598000	P.C.B. ASS'Y	INPUT	R	P C B インプット	
* 6	WD598100	P.C.B. ASS'Y	INPUT	TA	P C B インプット	
* 6	WD598200	P.C.B. ASS'Y	INPUT	K	P C B インプット	
* 6	WD598300	P.C.B. ASS'Y	INPUT	BG	P C B インプット	
* 6	WD598400	P.C.B. ASS'Y	INPUT	L	P C B インプット	
* 7	WD596800	P.C.B. ASS'Y	MAIN		P C B メイン	
* 8	WD597000	P.C.B. ASS'Y	POWER	J	P C B パワー	
* 8	WD597100	P.C.B. ASS'Y	POWER	UC	P C B パワー	
* 8	WD597200	P.C.B. ASS'Y	POWER	R	P C B パワー	
* 8	WD597300	P.C.B. ASS'Y	POWER	TK	P C B パワー	
* 8	WD597400	P.C.B. ASS'Y	POWER	A	P C B パワー	
* 8	WD597500	P.C.B. ASS'Y	POWER	BG	P C B パワー	
* 8	WD597600	P.C.B. ASS'Y	POWER	L	P C B パワー	
9	WB877000	D-AMP MODULE	UCD100W AMP MODULE		D-アンプモジュール	12
10	WB423900	AM/FM TUNER	ENG04705Q	J	AM/FM チューナー	12
10	WB424000	AM/FM TUNER	ENG06709Q	UCRTL	AM/FM チューナー	
10	WB424100	AM/FM TUNER	ENG07711Q	KABG	AM/FM チューナー	12
△ 15	X5009A00	POWER TRANSFORMER		J	電源トランス	13
△ 15	X5010A00	POWER TRANSFORMER		UC	電源トランス	
△ 15	X5011A00	POWER TRANSFORMER		R	電源トランス	
△ 15	X5012A00	POWER TRANSFORMER		TK	電源トランス	
△ 15	X5013A00	POWER TRANSFORMER		A	電源トランス	
△ 15	X5014A00	POWER TRANSFORMER		BG	電源トランス	
△ 15	X5015A00	POWER TRANSFORMER		L	電源トランス	
△ 16	V2723100	POWER CABLE	1.8m	J	電源コード	07
△ 16	V9293500	POWER CABLE	2m	UC	電源コード	
* △ 16	WC992700	POWER CABLE	2m	R	電源コード	
△ 16	VZ542500	POWER CABLE	2m	T	電源コード	05
△ 16	V8013000	POWER CABLE	2m	K	電源コード	
* △ 16	WC743700	POWER CABLE	2m	A	電源コード	
△ 16	VV437300	POWER CABLE	2m	B	電源コード	08
△ 16	V9293600	POWER CABLE	2m	GL	電源コード	
17	V2438700	CORD STOPPER	10P1		コードストッパー	02

* New Parts * 新規部品(マーク#の部品は、基板に含まれません)

Schm Ref.	PART NO.	Description	Remarks	Markets	部 品 名	Rank
20	WC272400	DC FAN MOTOR	DC D04R-24TM05(EX)		D C ファンモーター	
21	MFA40060	FLEXIBLE FLAT CABLE	40P 60mm P=1.0		カード電線	
22	MFA15120	FLEXIBLE FLAT CABLE	15P 120mm P=1.0		カード電線	
23	MFA18120	FLEXIBLE FLAT CABLE	18P 120mm P=1.0		カード電線	
24	MFA06200	FLEXIBLE FLAT CABLE	6P 200mm P=1.0		カード電線	
25	WC588900	SUMI CARD	15P 70mm P=1.0		スミカード	
26	MFA15120	FLEXIBLE FLAT CABLE	15P 120mm P=1.0	BG	カード電線	
27	MF117070	FLEXIBLE FLAT CABLE	17P 70mm P=1.25		カード電線 C & C	
28	MF113100	FLEXIBLE FLAT CABLE	13P 100mm P=1.25		カード電線 C & C	01
29	MF114070	FLEXIBLE FLAT CABLE	14P 70mm P=1.25	BG	カード電線 C & C	
30	MFA08300	FLEXIBLE FLAT CABLE	8P 300mm P=1.0		カード電線	
35	VU590000	BINDING TIE	CBTD001B		インシュロックタイ	01
101	WB688100	TOP COVER		SI	トップカバー	08
* 103	WD368700	REAR PANEL		J	リヤパネル	
* 103	WD368000	REAR PANEL		UC	リヤパネル	
* 103	WD368100	REAR PANEL		R	リヤパネル	
* 103	WD368200	REAR PANEL		T	リヤパネル	
* 103	WD368300	REAR PANEL		K	リヤパネル	
* 103	WD368400	REAR PANEL		A	リヤパネル	
* 103	WD368600	REAR PANEL		BG	リヤパネル	
* 103	WD368500	REAR PANEL		L	リヤパネル	
105	WB979700	SUPPORT/UCD			サポート / U C D	
106	WB692500	COVER/FAN			カバー / ファン	
120	WB690200	LEG			レッグ	02
* 121	WD842000	KNOB D25.6	VOLUME/SELECT	SI	ノブ D 2 5 . 6	
130	V3422200	DAMPER	3/20/50		ダンパー	
131	WC838900	DAMPER	3/80/90		ダンパー	
132	WB692600	SHEET/POWER			シート / パワー	
133	WB692700	SHEET/DIGITAL			シート / デジタル	
134	WC654600	SHHET/BARRIER			シート / バリア	
135	V6773900	DAMPER/SIDE			ダンパー / サイド	01
155	VQ368600	PUSH RIVET	P3555-B		プッシュリベット	01
160	VN413300	BIND HEAD BONDING B-T. SCREW	3x8 MFZN2BL		ボンディング B タイトネジ	01
161	VV220300	BIND HEAD B-TIGHT SCREW	3x30 MFZN2BL		バインド B タイトネジ	01
162	EP600250	BIND HEAD B-TIGHT SCREW	3x8 MFZN2Y		バインド B タイトネジ	01
163	VT669300	PW HEAD B-TIGHT SCREW	3x8-8 MFC2		P W ヘッド B タイトネジ	01
164	V5633800	TAPPING B-TIGHT SCREW	3x6-8 MFN133		B タイトタッピングネジ	
165	EP630210	BIND HEAD S-TIGHT SCREW	3x6 MFZN2BL	BG	バインド S タイトネジ	01
166	21991500	PW HEAD S-TIGHT SCREW	4x8-10 MFC2BL		P W ヘッド S タイトネジ	01
167	EP600780	BIND HEAD B-TIGHT SCREW	4x8 MFC2BL		バインド B タイトネジ	01
168	VY731200	BONDING HEAD TAPPING SCREW	3x10 MFN133		ボンディング B タイトネジ	01
		ACCESSORIES			付属品	
* 200	WD255900	REMOTE CONTROL	RRC4001-1518E	RRC4001-1518E	JUCRTKAL	リモコン
* 200	WD256000	REMOTE CONTROL	RRC4001-1519E	RRC4001-1519E	BG	リモコン
200-1	AAX51940	BATTERY COVER	103RRS-141-04L	103RRS-141-04L		電池蓋
202	V6267000	INDOOR FM ANTENNA	1.4m 1pc		JUCRTL	F M 簡易アンテナ
202	VQ147100	INDOOR FM ANTENNA	1.4m 1pc		KABG	F M 簡易アンテナ
203	WC192200	AM LOOP ANTENNA	1.2m 1pc			A M ループアンテナ
* 204	WD369700	CABLE TAG ASS'Y	5pairs/set			ケーブルタグ A S S Y
		BATTERY, MANGANESE DRY	SUM-3N 2pc			乾電池 2 P C

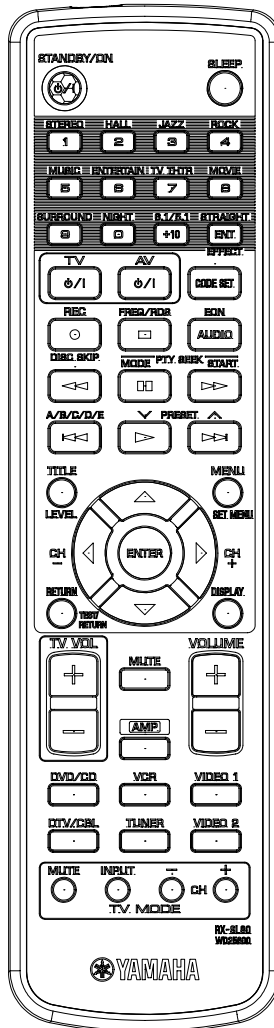
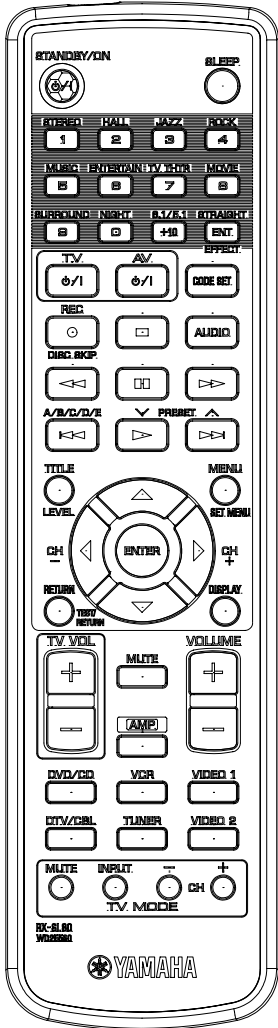
* New Parts * 新規部品(マーク#の部品は、基板に含まれません)

REMOTE CONTROL

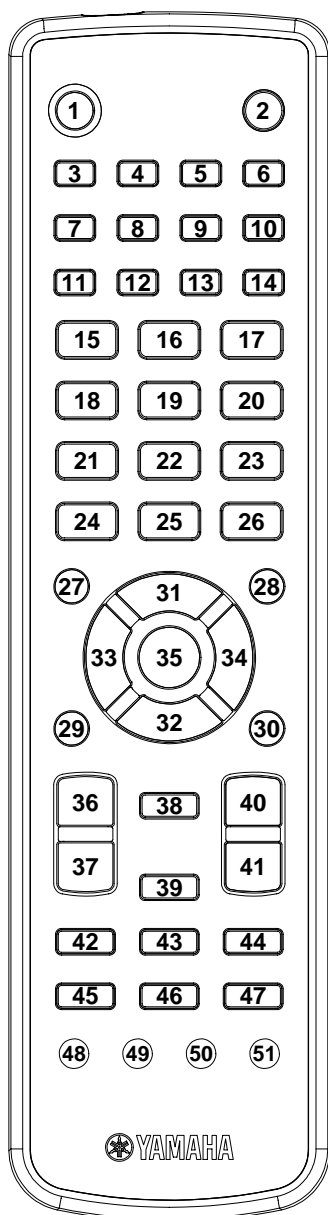


U, C, R, T, K, A, L, J models

B, G models



Key Layout



Key No.	Function	CODE						
		AMP	DVD/CD	VCR	VIDEO1	DTV/CBL	TUNER	VIDEO2
1	STANDBY/ON	7A-1F						
2	SLEEP	7A-57						
3	1	7A-88	7C-94	-	-	-	7A-E5	-
4	2	7A-89	7C-95	-	-	-	7A-E6	-
5	3	7A-8A	7C-96	-	-	-	7A-E7	-
6	4	7A-8B	7C-97	-	-	-	7A-E8	-
7	5	7A-8C	7C-98	-	-	-	7A-E9	-
8	6	7A-8D	7C-99	-	-	-	7A-EA	-
9	7	7A-8E	7C-9A	-	-	-	7A-EB	-
10	8	7A-8F	7C-9B	-	-	-	7A-EC	-
11	9	7A-90	7C-9C					
12	0	7A-95	7C-93					
13	+10	7A-97	7C-9D					
14	ENTER	7A-56	7C-9E					
15	TV STANDBY/ON	-	-					
16	AV STANDBY/ON	-	7C-80					
17	CODE SET	-	-					
18	REC	-	7C-8B					
19	STOP	-	7C-85	-	-	-	7A-A4	-
20	AUDIO	-	7C-AD	-	-	-	7A-A5	-
21	SEARCH (-)	-	7C-86	-	-	-	-	-
22	PAUSE	-	7C-83	-	-	-	7A-A6	-
23	SEARCH (+)	-	7C-87	-	-	-	7A-A7	-
24	SKIP (-)	-	7C-B9	-	-	-	7A-12	-
25	PLAY	-	7C-82	-	-	-	7A-11	-
26	SKIP (+)	-	7C-BA	-	-	-	7A-10	-
27	TITLE	7A-86	7C-B1					
28	MENU	7A-9C	7C-B2					
29	RETURN	7A-85	7C-B7					
30	DISPLAY	-	7C-A6					
31	UP	7A-98	7C-B4					
32	DOWN	7A-99	7C-B3					
33	LEFT	7A-53	7C-B5					
34	RIGHT	7A-52	7C-B6					
35	ENTER	7A-DE	7C-B8					
36	TV VOL (+)	TV (Preset) Code Transmit						
37	TV VOL (-)	TV (Preset) Code Transmit						
38	MUTE	7A-1C						
39	AMP	-						
40	VOLUME (+)	7A-1A						
41	VOLUME (-)	7A-1B						
42	DVD/CD	7A-C1						
43	VCR	7A-0F						
44	VIDEO 1	7A-13						
45	DTV/CBL	7A-54						
46	TUNER	7A-16						
47	VIDEO 2	7A-55						
48	TV MUTE	TV (Preset) Code Transmit						
49	TV INPUT	TV (Preset) Code Transmit						
50	TV CH (-)	TV (Preset) Code Transmit						
51	TV CH (+)	TV (Preset) Code Transmit						

RX-SL80

